

features

- 11.2-GHz Bandwidth
- 5.5-k Ω Differential Transimpedance
- 8.5-pA/ $\sqrt{\text{Hz}}$ Typical Input Referred Noise
- 2-mA Maximum Input Current
- Received Signal Strength Indication
- CML Data Outputs
- Offset Cancellation
- Single 3.3-V Supply
- Bare-Die Option

applications

- SONET OC-192
- 10-Gbps Ethernet Receivers
- 10-Gbps Fibre Channel Receivers

description

The ONET9901TA is a high-speed transimpedance amplifier used in SDH/SONET systems with data rates up to 10.7 Gbps. It features a low input referred noise, 11.2-GHz bandwidth and a 5.5-k Ω transimpedance.

The ONET9901TA device is available in die form and requires a single 3.3-V supply. The ONET9901TA is power efficient and dissipates less than 100 mW (typical). The ONET9901TA is characterized for operations from 0°C to 85°C.

available options

T _A	PACKAGED DEVICE
0°C to 85°C	ONET9901TAY



Please be aware that an important notice concerning availability, standard warranty, and use in critical applications of Texas Instruments semiconductor products and disclaimers thereto appears at the end of this data sheet.

PRODUCTION DATA information is current as of publication date. Products conform to specifications per the terms of Texas Instruments standard warranty. Production processing does not necessarily include testing of all parameters.



POST OFFICE BOX 655303 • DALLAS, TEXAS 75265

Copyright © 2004, Texas Instruments Incorporated

ONET9901TA

10.7-Gbps TRANSIMPEDANCE AMPLIFIER WITH RSSI

SLLS615 – APRIL 2004

block diagram

The ONET9901TA is a high performance 10.7-Gbps transimpedance amplifier that can be segmented into the signal path, filter, and offset cancellation block. The signal path consists of a transimpedance amplifier stage, a voltage amplifier, and an output buffer. The filter circuit provides a filtered VCC for the photodiode. The offset correction circuit uses an internal low-pass filter to cancel the dc on the input and it provides a signal to monitor the received signal strength. A simplified block diagram of the ONET9901TA is shown in Figure 1.

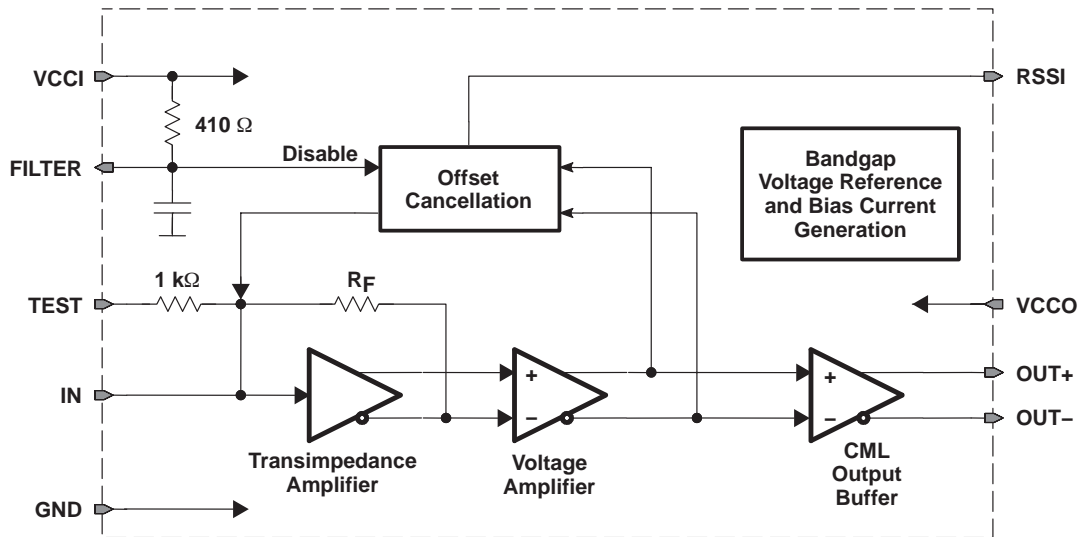


Figure 1. Block Diagram

signal path

The first stage of the signal path is a transimpedance amplifier that takes the photodiode current and converts it to a voltage signal. The second stage is a voltage amplifier that provides additional gain. The output of the second stage feeds the output buffer and the offset cancellation circuitry. The third and final signal path stage of the ONET9901TA is the output buffer. The output buffer provides CML outputs with an on-chip 50-Ω back-termination to VCCO.

filter circuitry

The filter pin provides a filtered VCC for the photodiode bias. The on-chip low-pass filter for the photodiode VCC is implemented using a filter resistor of 410 Ω and an internal capacitor. If additional filtering is required for the application, an external capacitor should be connected to the FILTER pin.

offset cancellation and RSSI

The offset cancellation circuitry performs low pass filtering of the output of the voltage amplifier. This senses the dc offset at the input of the ONET9901TA. The circuitry subtracts current from the input to effectively cancel the dc. The sensed current is mirrored and is used to generate the RSSI output through an external 10-kΩ resistor. To disable the offset correction loop, the FILTER pin should be tied to GND.

bond pad assignment

The ONET9901TA is available as bare-die. The location of the bondpads is shown in Figure 2. The circuit is characterized for ambient temperatures between 0°C and 85°C.

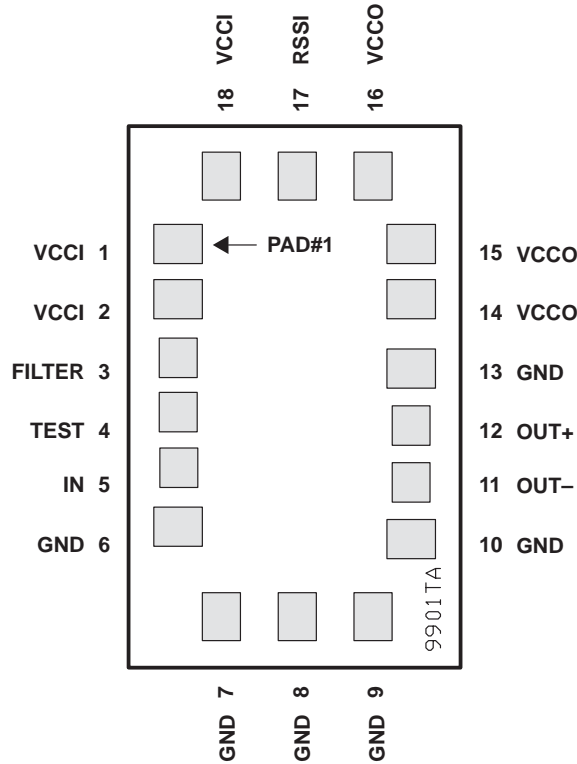


Figure 2. Bond Pad Assignment of the ONET9901TA

terminal functions

The following table shows a pad description for the ONET9901TA.

TERMINAL		TYPE	DESCRIPTION
NAME	NO.		
VCCI	1, 2, 18	Supply	Input stage 3.3-V \pm 10% supply voltage.
FILTER	3	Analog	Bias voltage for the photodiode (connects to an internal 410- Ω resistor to VCCI). To disable the offset correction loop, connect the FILTER pin to GND.
TEST	4	Analog in	Test pad. Connects to IN via a 1-k Ω resistor.
IN	5	Analog in	Data input to TIA
GND	6–10,13	Supply	Circuit ground
OUT–	11	Analog out	Inverted data output. On-chip 50- Ω back-terminated to VCCO.
OUT+	12	Analog out	Non-inverted data output. On-chip 50- Ω back-terminated to VCCO.
VCCO	14–16	Supply	Output stage 3.3-V \pm 10% supply voltage.
RSSI	17	Analog out	Analog output voltage proportional to the input data amplitude. Indicates the strength of the received signal (RSSI).

ONET9901TA

10.7-Gbps TRANSIMPEDANCE AMPLIFIER WITH RSSI

SLLS615 – APRIL 2004

absolute maximum ratings

over operating free-air temperature range unless otherwise noted†

		VALUE	UNIT
V _{CCI} , V _{CCO}	Supply voltage, See Note 1	-0.3 to 4	V
V(FILTER), V(OUT+), V(OUT-), V(RSSI)	Voltage at FILTER, OUT+, OUT-, and RSSI, See Note 1	-0.3 to 4	V
I(IN), I(TEST)	Supply current into IN and TEST	-5 to 5	mA
I(FILTER)	Supply current into FILTER	-8 to 8	mA
I(OUT+), I(OUT-)	Continuous current at outputs	-25 to 25	mA
ESD	ESD rating at all pins	2	kV (HBM)
T _{J(max)}	Maximum junction temperature	125	°C
T _{stg}	Storage temperature range	-65 to 85	°C
T _A	Operating free-air temperature range	0 to 85	°C

† Stresses beyond those listed under “absolute maximum ratings” may cause permanent damage to the device. These are stress ratings only, and functional operation of the device at these or any other conditions beyond those indicated under “recommended operating conditions” is not implied. Exposure to absolute-maximum-rated conditions for extended periods may affect device reliability.

NOTE 1: All voltage values are with respect to the network ground terminal.

recommended operating conditions

	MIN	TYP	MAX	UNIT
Supply voltage, V _{CCI} , V _{CCO}	3	3.3	3.6	V
Operating free-air temperature, T _A	0		85	°C

dc electrical characteristics

over recommended operating conditions (unless otherwise noted), typical operating condition is at V_{CCI} = V_{CCO} = 3.3 V and T_A = 25°C

PARAMETER	TEST CONDITIONS	MIN	TYP	MAX	UNIT
V _{CC} Supply voltage		3	3.3	3.6	V
I _{CC} Supply current			30	41	mA
V _{IN} Input bias voltage			0.84	0.96	V
r _o Output resistance	Single-ended to V _{CC}		50		Ω
r(FILTER) Photodiode filter resistance		330	410	500	Ω

ac electrical characteristics

over recommended operating conditions (unless otherwise noted), typical operating condition is at $V_{CCI} = V_{CCO} = 3.3\text{ V}$ and $T_A = 25^\circ\text{C}$

PARAMETER		TEST CONDITIONS	MIN	TYP	MAX	UNIT
$I_{IN,OV L}$	AC input overload current		2			mA_{p-p}
	Input linear range	$0.95 < \text{linearity} < 1.05$	50	60		μA_{p-p}
A_{RSSI}	RSSI gain	10-k Ω load, See Note 2	1500	2000	2500	V/A
$Z(21)$	Small signal transimpedance	Differential output, $10\ \mu\text{A}_{p-p} < I_{IN} = < 50\ \mu\text{A}_{p-p}$	4400	5500	6600	Ω
$BW(H_{-3dB})$	Small signal bandwidth	$C_{PD} = 0.2\ \text{pF}$		11.2		GHz
$BW(L_{-3dB})$	Low frequency -3 dB bandwidth	-3 dB, $I_{IN} = < 50\ \mu\text{A}_{p-p}\ \text{dc}$		17		kHz
$BW(H_{-3dB_{RSSI}})$	RSSI bandwidth			5		kHz
$I_{N,IN}$	Input referred RMS noise	$C_{PD} = 0.2\ \text{pF}$		900		nA
	Input referred noise density	$C_{PD} = 0.2\ \text{pF}$		8.5		$\text{pA}/\sqrt{\text{Hz}}$
DJ	Deterministic jitter	$I_{IN} < 1.3\ \text{mA}_{p-p}$ (K28.5 pattern)		7		ps_{p-p}
		$I_{IN} = 2\ \text{mA}_{p-p}$ (K28.5 pattern)		11	22	
$V_{OD(max)}$	Maximum differential output voltage	$I_{IN} = 1\ \text{mA}_{p-p}$		500	700	mV_{p-p}

NOTE 2: On the chip, a 6725- Ω resistor is used in parallel to the external 10-k Ω resistor, resulting in a total 4-k Ω resistor for a typical process. By choosing an appropriate external resistor, the typical RSSI gain can be adjusted. Without an external resistor, the RSSI gain is approximately 3360 V/A under typical conditions.

APPLICATION INFORMATION

Figure 3 shows the ONET9901TA being used as a receiver in a typical fiber optic application. The ONET9901TA converts the electrical current generated by the PIN photodiode into a differential voltage output. The FILTER input provides a dc bias voltage for the PIN that is low pass filtered by the combination of the internal 410- Ω resistor and internal capacitor. For additional power supply filtering, use an external capacitor (C_{FILTER}). The RSSI output is used to mirror the photodiode output current and must be connected via a 10-k Ω resistor to GND or left open. Within the ONET9901TA, the OUT+ and OUT- pins are internally terminated by a 50- Ω pullup to VCCO.

ONET9901TA 10.7-Gbps TRANSIMPEDANCE AMPLIFIER WITH RSSI

SLLS615 – APRIL 2004

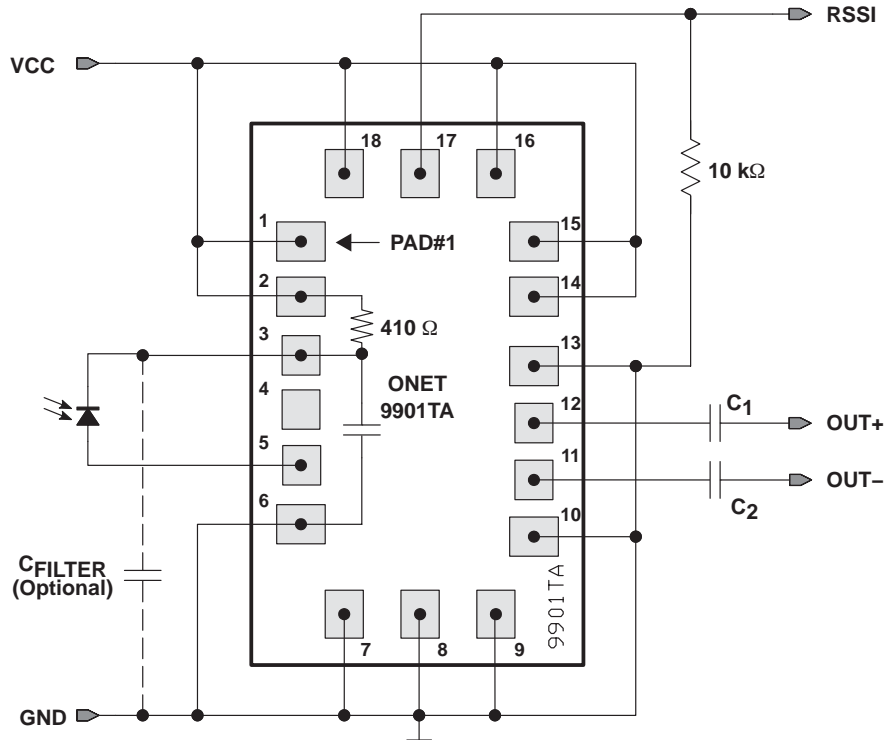


Figure 3. Basic Application Circuit

board layout

Careful attention to board layout parasitics and external components is necessary to achieve optimal performance with a high-performance transimpedance amplifier like the ONET9901TA.

Recommendations that optimize performance include:

1. Minimize total capacitance on the IN pad by using a low-capacitance photodiode and paying attention to stray capacitances. Place the photodiode close to the ONET9901TA die in order to minimize the bond wire length and thus the parasitic inductance.
2. The external filter capacitor (C_{FILTER}) may have an impact on the transfer function of the TIA and must be chosen with care based on the module implementation.
3. Use identical termination and symmetrical transmission lines at the differential output pins OUT+ and OUT-.
4. Use short bond wire connections for the supply terminals VCCI, VCCO, and GND. Provide sufficient supply voltage filtering.

ONET9901TA

10.7-Gbps TRANSIMPEDANCE AMPLIFIER WITH RSSI

SLLS615 – APRIL 2004

PAD	LOWER LEFT COORDINATE		UPPER RIGHT COORDINATE		SYMBOL	TYPE	DESCRIPTION
	x [μm]	y [μm]	x [μm]	y [μm]			
1	57	887	162	972	VCCI	Supply	Input stage 3.3-V \pm 10% supply voltage
2	57	767	162	852	VCCI	Supply	Input stage 3.3-V \pm 10% supply voltage
3	67	637	152	722	FILTER	Analog	Bias voltage for photodiode
4	67	517	152	602	TEST	Analog in	Test pad. Connects to IN via a 1-k Ω resistor
5	67	397	152	482	IN	Analog in	Data input to TIA
6	57	267	162	352	GND	Supply	Circuit ground
7	162	57	247	162	GND	Supply	Circuit ground
8	327	57	412	162	GND	Supply	Circuit ground
9	492	57	577	162	GND	Supply	Circuit ground
10	567	237	672	322	GND	Supply	Circuit ground
11	577	367	662	452	OUT-	Analog out	Inverted data output
12	577	487	662	572	OUT+	Analog out	Non-inverted data output
13	567	617	672	702	GND	Supply	Circuit ground
14	567	747	672	832	VCCO	Supply	Output stage 3.3-V \pm 10% supply voltage
15	567	877	672	962	VCCO	Supply	Output stage 3.3-V \pm 10% supply voltage
16	492	1027	577	1132	VCCO	Supply	Output stage 3.3-V \pm 10% supply voltage
17	327	1027	412	1132	RSSI	Analog out	RSSI output voltage signal
18	162	1027	247	1132	VCCI	Supply	Input stage 3.3-V \pm 10% supply voltage

Table 1. Pad Locations and Description of the ONET9901TA



TYPICAL CHARACTERISTICS

INPUT REFERRED NOISE CURRENT
 vs
 AVERAGE INPUT CURRENT

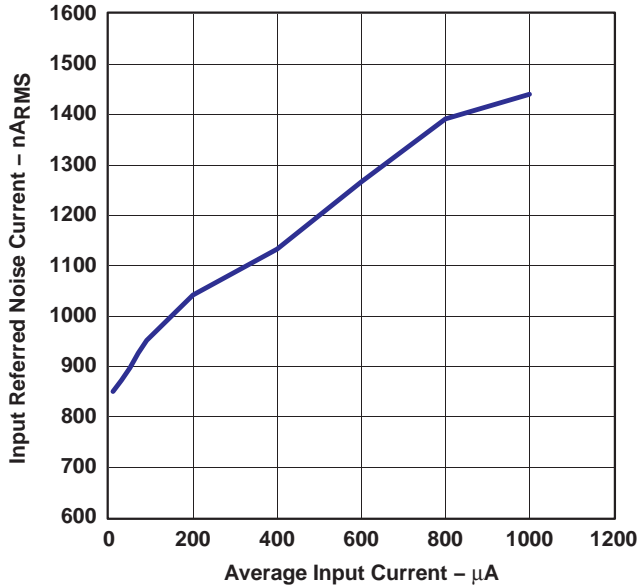


Figure 6

INPUT REFERRED NOISE CURRENT
 vs
 AMBIENT TEMPERATURE

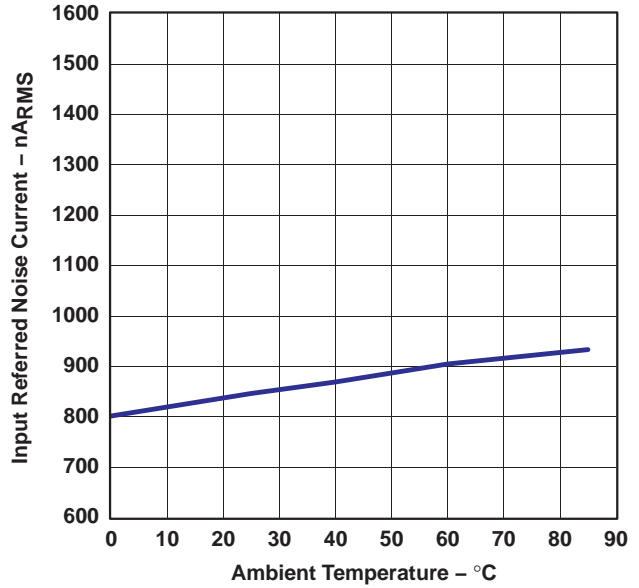


Figure 7

DIFFERENTIAL OUTPUT VOLTAGE
 vs
 INPUT CURRENT

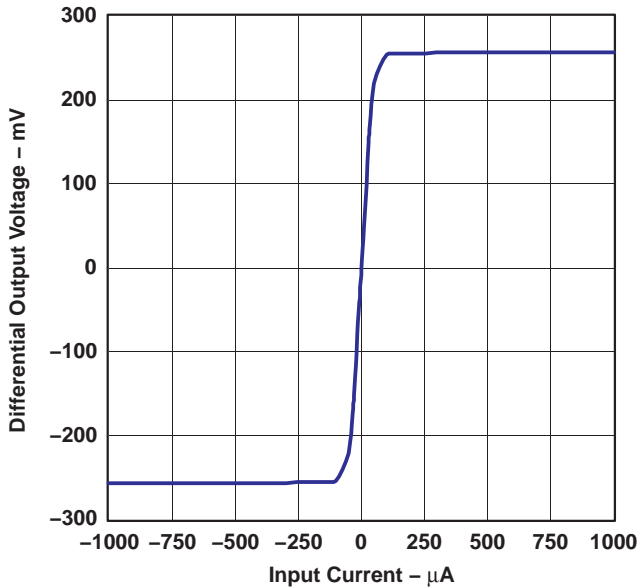


Figure 8

TRANSIMPEDANCE
 vs
 AMBIENT TEMPERATURE

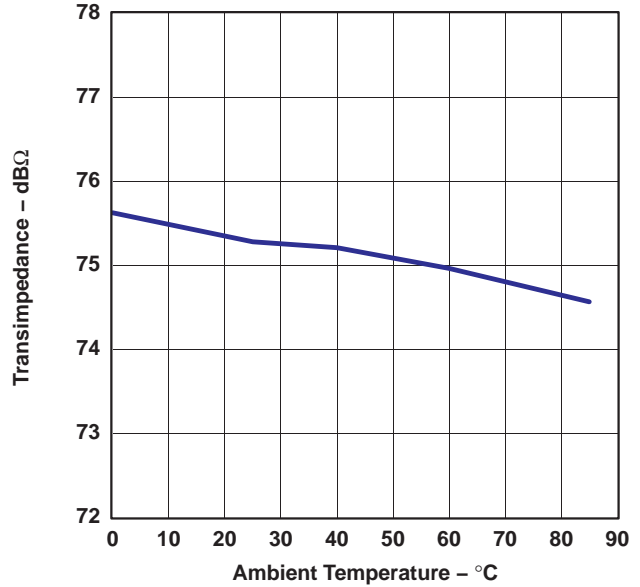


Figure 9

TYPICAL CHARACTERISTICS

**SMALL SIGNAL BANDWIDTH
 VS
 AMBIENT TEMPERATURE**

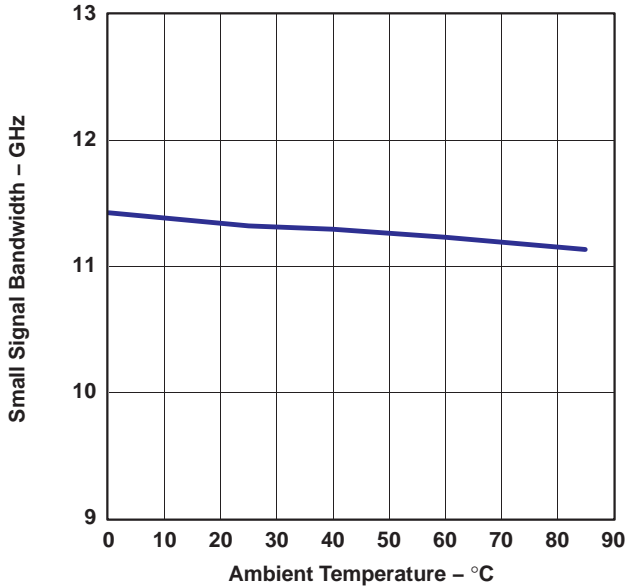


Figure 10

**RSSI OUTPUT VOLTAGE
 VS
 AVERAGE INPUT CURRENT**

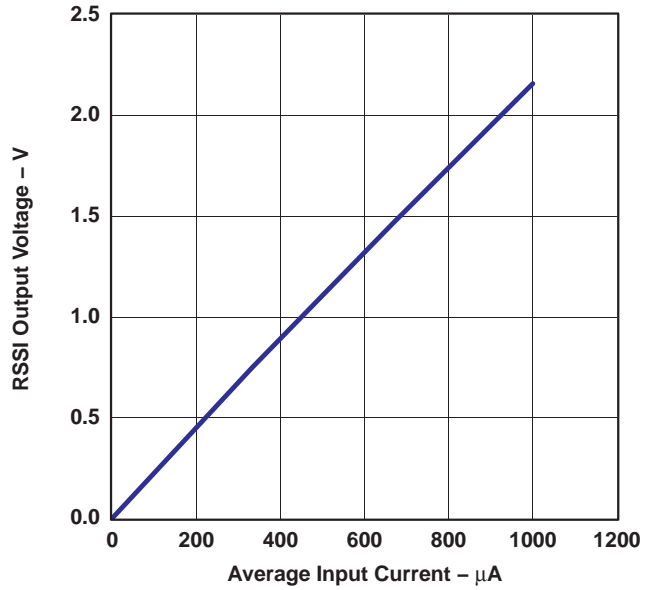


Figure 11

**DETERMINISTIC JITTER
 VS
 INPUT CURRENT**

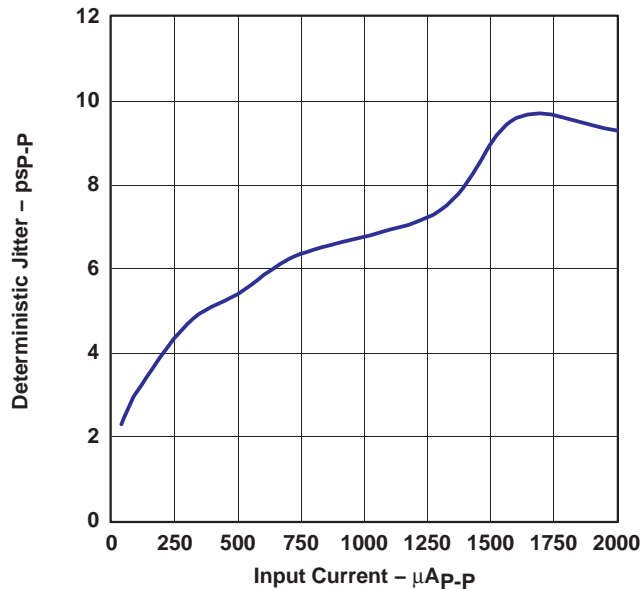
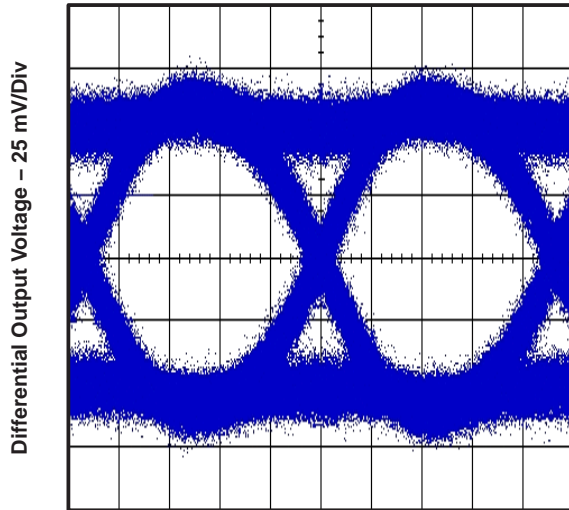


Figure 12

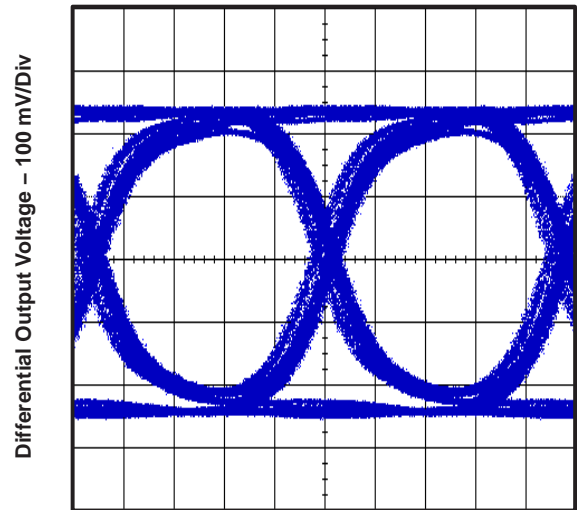
TYPICAL CHARACTERISTICS

OUTPUT EYE DIAGRAM AT 10.7 GBPS
AND 20 μ A_{p-p} INPUT CURRENT



Time – 20 ps/Div
Figure 13

OUTPUT EYE DIAGRAM AT 10.7 GBPS
AND 2 mA_{p-p} INPUT CURRENT



Time – 20 ps/Div
Figure 14

PACKAGING INFORMATION

Orderable Device	Status ⁽¹⁾	Package Type	Package Drawing	Pins	Package Qty	Eco Plan ⁽²⁾	Lead/Ball Finish	MSL Peak Temp ⁽³⁾
ONET9901TAY	ACTIVE	XCEPT	Y	18	360	None	Call TI	Call TI

⁽¹⁾ The marketing status values are defined as follows:

ACTIVE: Product device recommended for new designs.

LIFEBUY: TI has announced that the device will be discontinued, and a lifetime-buy period is in effect.

NRND: Not recommended for new designs. Device is in production to support existing customers, but TI does not recommend using this part in a new design.

PREVIEW: Device has been announced but is not in production. Samples may or may not be available.

OBSELETE: TI has discontinued the production of the device.

⁽²⁾ Eco Plan - May not be currently available - please check <http://www.ti.com/productcontent> for the latest availability information and additional product content details.

None: Not yet available Lead (Pb-Free).

Pb-Free (RoHS): TI's terms "Lead-Free" or "Pb-Free" mean semiconductor products that are compatible with the current RoHS requirements for all 6 substances, including the requirement that lead not exceed 0.1% by weight in homogeneous materials. Where designed to be soldered at high temperatures, TI Pb-Free products are suitable for use in specified lead-free processes.

Green (RoHS & no Sb/Br): TI defines "Green" to mean "Pb-Free" and in addition, uses package materials that do not contain halogens, including bromine (Br) or antimony (Sb) above 0.1% of total product weight.

⁽³⁾ MSL, Peak Temp. -- The Moisture Sensitivity Level rating according to the JEDECindustry standard classifications, and peak solder temperature.

Important Information and Disclaimer:The information provided on this page represents TI's knowledge and belief as of the date that it is provided. TI bases its knowledge and belief on information provided by third parties, and makes no representation or warranty as to the accuracy of such information. Efforts are underway to better integrate information from third parties. TI has taken and continues to take reasonable steps to provide representative and accurate information but may not have conducted destructive testing or chemical analysis on incoming materials and chemicals. TI and TI suppliers consider certain information to be proprietary, and thus CAS numbers and other limited information may not be available for release.

In no event shall TI's liability arising out of such information exceed the total purchase price of the TI part(s) at issue in this document sold by TI to Customer on an annual basis.

IMPORTANT NOTICE

Texas Instruments Incorporated and its subsidiaries (TI) reserve the right to make corrections, modifications, enhancements, improvements, and other changes to its products and services at any time and to discontinue any product or service without notice. Customers should obtain the latest relevant information before placing orders and should verify that such information is current and complete. All products are sold subject to TI's terms and conditions of sale supplied at the time of order acknowledgment.

TI warrants performance of its hardware products to the specifications applicable at the time of sale in accordance with TI's standard warranty. Testing and other quality control techniques are used to the extent TI deems necessary to support this warranty. Except where mandated by government requirements, testing of all parameters of each product is not necessarily performed.

TI assumes no liability for applications assistance or customer product design. Customers are responsible for their products and applications using TI components. To minimize the risks associated with customer products and applications, customers should provide adequate design and operating safeguards.

TI does not warrant or represent that any license, either express or implied, is granted under any TI patent right, copyright, mask work right, or other TI intellectual property right relating to any combination, machine, or process in which TI products or services are used. Information published by TI regarding third-party products or services does not constitute a license from TI to use such products or services or a warranty or endorsement thereof. Use of such information may require a license from a third party under the patents or other intellectual property of the third party, or a license from TI under the patents or other intellectual property of TI.

Reproduction of information in TI data books or data sheets is permissible only if reproduction is without alteration and is accompanied by all associated warranties, conditions, limitations, and notices. Reproduction of this information with alteration is an unfair and deceptive business practice. TI is not responsible or liable for such altered documentation.

Resale of TI products or services with statements different from or beyond the parameters stated by TI for that product or service voids all express and any implied warranties for the associated TI product or service and is an unfair and deceptive business practice. TI is not responsible or liable for any such statements.

Following are URLs where you can obtain information on other Texas Instruments products and application solutions:

Products		Applications	
Amplifiers	amplifier.ti.com	Audio	www.ti.com/audio
Data Converters	dataconverter.ti.com	Automotive	www.ti.com/automotive
DSP	dsp.ti.com	Broadband	www.ti.com/broadband
Interface	interface.ti.com	Digital Control	www.ti.com/digitalcontrol
Logic	logic.ti.com	Military	www.ti.com/military
Power Mgmt	power.ti.com	Optical Networking	www.ti.com/opticalnetwork
Microcontrollers	microcontroller.ti.com	Security	www.ti.com/security
		Telephony	www.ti.com/telephony
		Video & Imaging	www.ti.com/video
		Wireless	www.ti.com/wireless

Mailing Address: Texas Instruments
Post Office Box 655303 Dallas, Texas 75265