

12mm Size Insulated Shaft Type EC12 Series

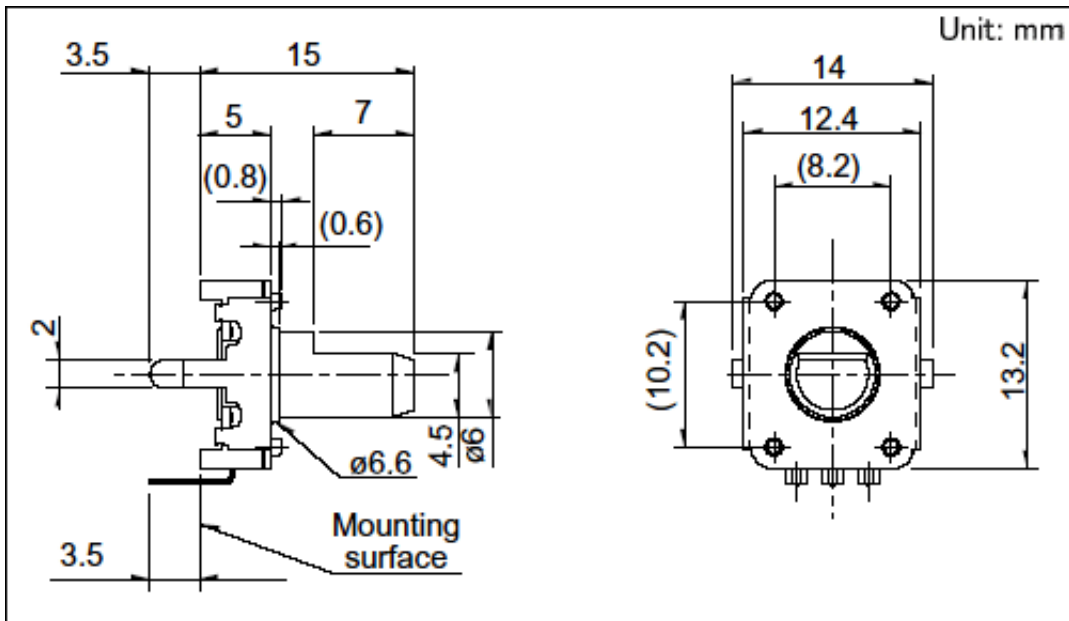
Detail

Part number	EC12E24204A2	
Actuator length	15mm	
Rotational torque	Standard	
Number of detent	24	
Number of pulse	24	
Operating direction	Vertical	
Minimum order unit (pcs.)	2,400	
Operating temperature range	-10°C to +70°C	
Maximum operating current (Resistive load)	10mA	
Electrical performance	Ratings	0.5mA 5V DC
	Output signal	Output of A and B signals, proportionate to phase difference
	Insulation resistance	10M Ω min. 50V DC
	Voltage proof	50V AC for 1 minute
Mechanical performance	Detent torque	3 to 20mN·m
	Push-pull strength	80N
Resistance to soldering heat	Manual soldering	350°C max. 3s max.
	Dip soldering	260 \pm 5°C, 3 \pm 1s
Durability	Operating life	30,000 cycles
Environmental performance	Cold	-40 \pm 3°C for 10h
	Dry heat	85 \pm 3°C for 10h
	Damp heat	60 \pm 2°C, 90 to 95%RH for 10h
3D CAD (STEP)		
Certificate of Compliance to RoHS regulations		

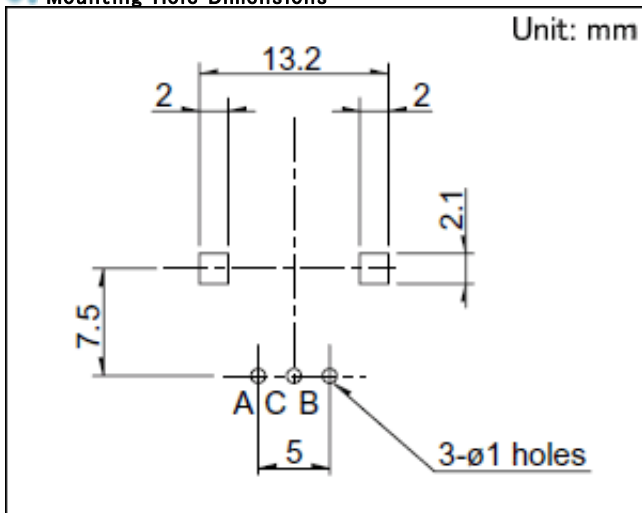
Photo

Short shaft

Dimensions

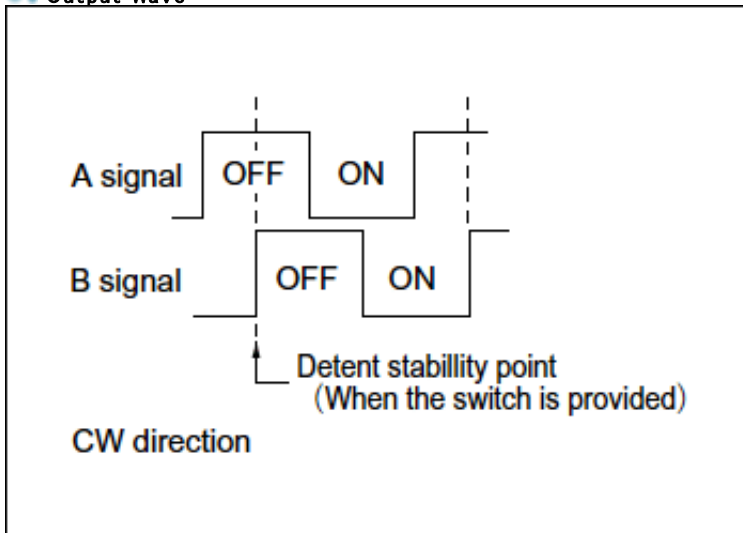


•• Mounting Hole Dimensions



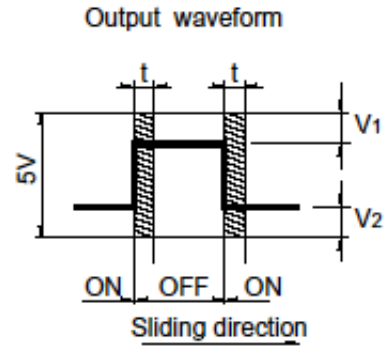
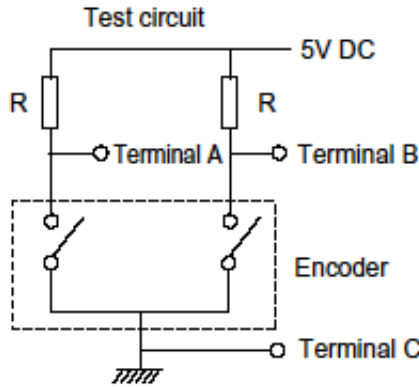
Viewed from mounting face.

•• Output Wave



•• Sliding Noise

$$V1 = V2 = 1.5V \text{ max.}$$



Measurement condition : Rotation speed 360°/s t : Masking time to avoid chattering

At R=10kΩ Chattering: 3ms max. Bounce: 2ms max.

●● Packing Specifications

Tray

Number of packages (pcs.)	1 case / Japan	2,400
	1 case / export packing	2,400
Export package measurements (mm)		369 × 525 × 204

» NOTE

Notes are common to this series/models.

1. This site catalog shows only outline specifications. When using the products, please obtain formal specifications for supply.
2. Please place purchase orders per minimum order unit (integer).
3. Products other than those listed in the above chart are also available. Please contact us for details.
4. Nuts and washers are not included. If required, please contact us.
5. This products can be used in vehicles. (EC12D only)
Although these products are designed to perform over a wide operating temperature range, please ensure that you receive and read the formal delivery specifications before use.