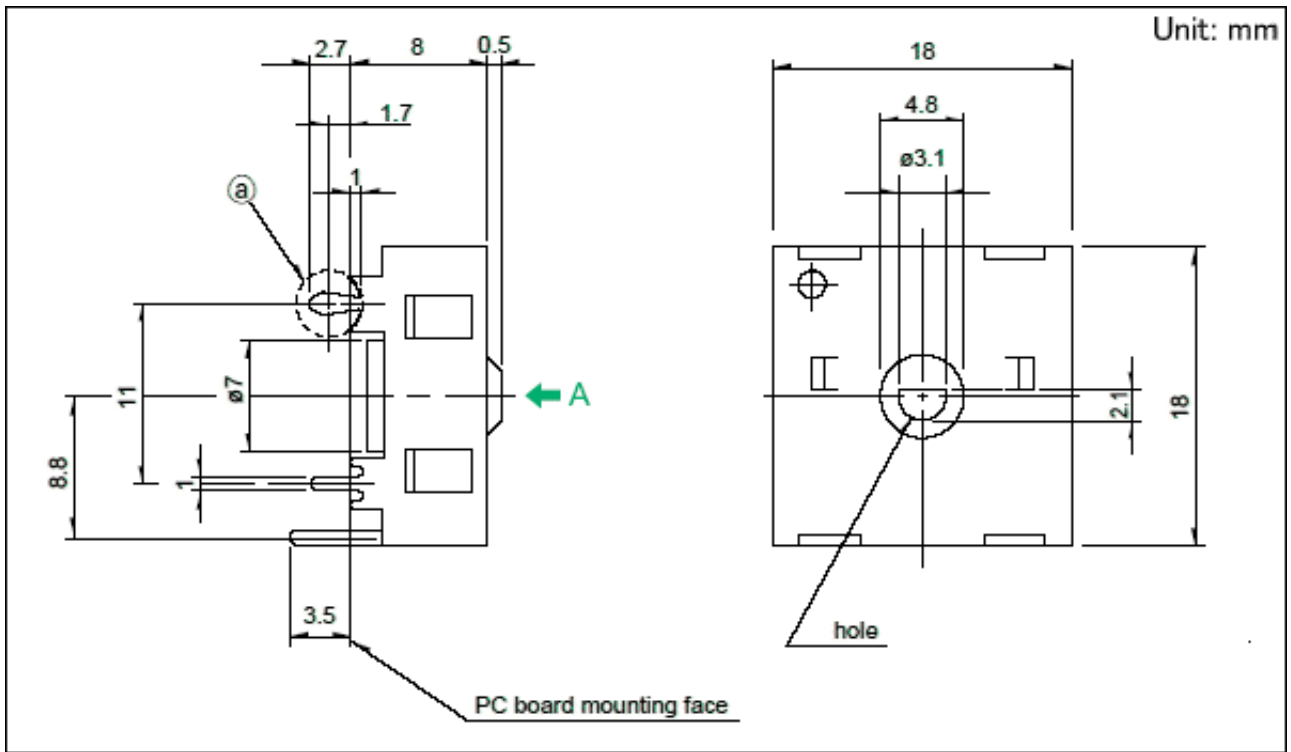


Hollow Shaft Type SRGA Series

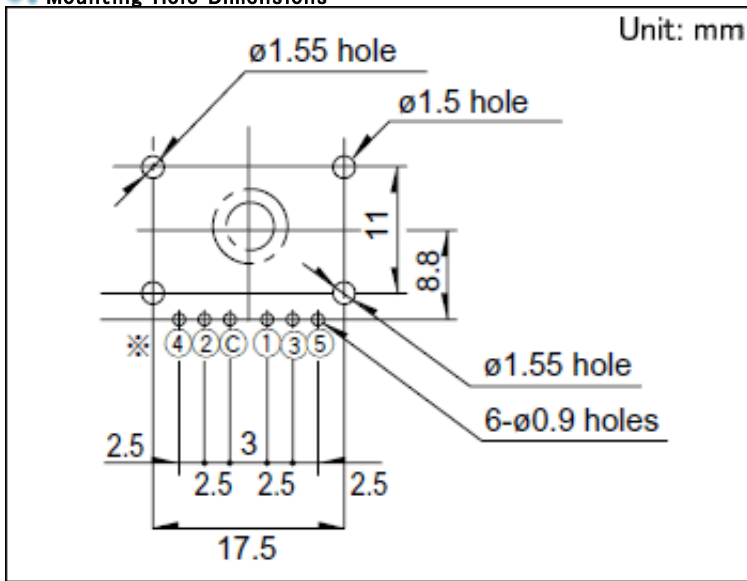
● Detail

Part number		SRGAVQ1100
Rotational Torque		20±10mNm
Operating direction		Vertical
Output code		Gray
Positions		24
Changeover angle		15°
Product type		Standard (Hollow shaft)
Minimum order unit (pcs.)		1,680
Operating temperature range		-10°C to +70°C
Rating (max.)/(min.) (Resistive load)		0.1A 12V DC/50μA 3V DC
Electrical performance	Contact resistance (Initial performance/After lifetime)	1Ω max./1Ω max.
	Insulation resistance	100MΩ min. 100V DC
	Voltage proof	100V AC for 1 minute
Mechanical performance	Terminal strength	5N for 1 minute
	Push-pull strength	100N
	Vibration	10 to 55 to 10Hz/min., the amplitude is 1.5mm for all the frequencies, in the 3 direction of X, Y and Z for 2 hours respectively
Resistance to soldering heat	Manual soldering	350±10°C, 3(+1, 0)s
	Dip soldering	260±5°C, 10±1s
Durability	Operating life without load	10,000 cycles
	Operating life with load (Load: as ratings)	10,000 cycles (0.1A 12V DC)
Environmental performance	Cold	-20±2°C for 96h
	Dry heat	85±2°C for 96h
	Damp heat	40±2°C, 90 to 95%RH for 96h
3D CAD (STEP)		
Certificate of Compliance to RoHS regulations		

● Dimensions

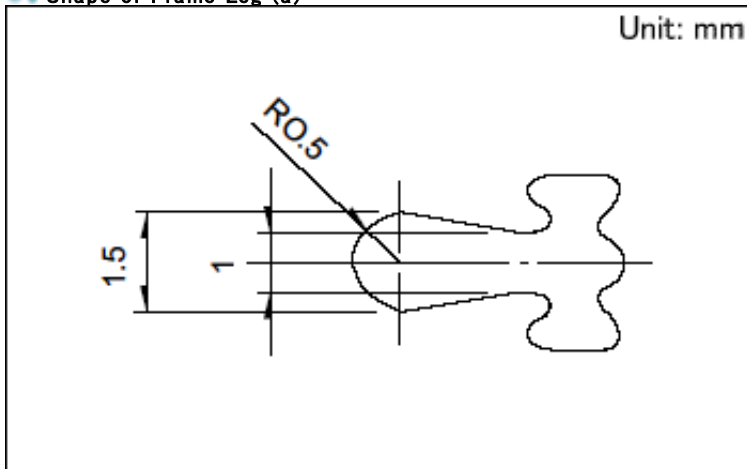


• Mounting Hole Dimensions



Viewed from the direction A in the dimensions.

• Shape of Frame Leg (a)



• Standard Codes

Number of positions		24																							
		8								12															
Code	Terminal	Position																							
		1	2	3	4	5	6	7	8	9	10	11	12	13	14	15	16	17	18	19	20	21	22	23	24
Gray	1		●	●			●	●			●	●			●	●			●	●			●	●	
	2			●	●	●	●					●	●	●	●					●	●	●	●		
	3					●	●	●	●	●	●	●										●	●	●	●
	4									●	●	●	●	●	●	●	●	●	●	●	●	●	●	●	●
	5																		●	●	●	●	●	●	●

● The marks show the ON position.

1. Viewed from the direction A. in the dimensions.
 2. For terminal alignment, please refer to the illustration.
- Please note that might be ON output of the dummy terminal in the circuit design.

● Packing Specifications

Bulk

Number of packages (pcs.)	1 case / Japan	840
	1 case / export packing	1,680
Export package measurements (mm)		542 × 377 × 209

» NOTE Notes are common to this series/models.

1. This site catalog shows only outline specifications. When using the products, please obtain formal specifications for supply.
2. Please place purchase orders per minimum order unit (integer).
3. Products other than those listed in the above chart are also available. Please contact us for details.
4. Please contact us for automotive use.