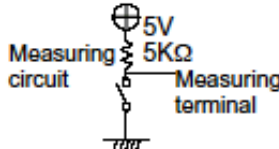
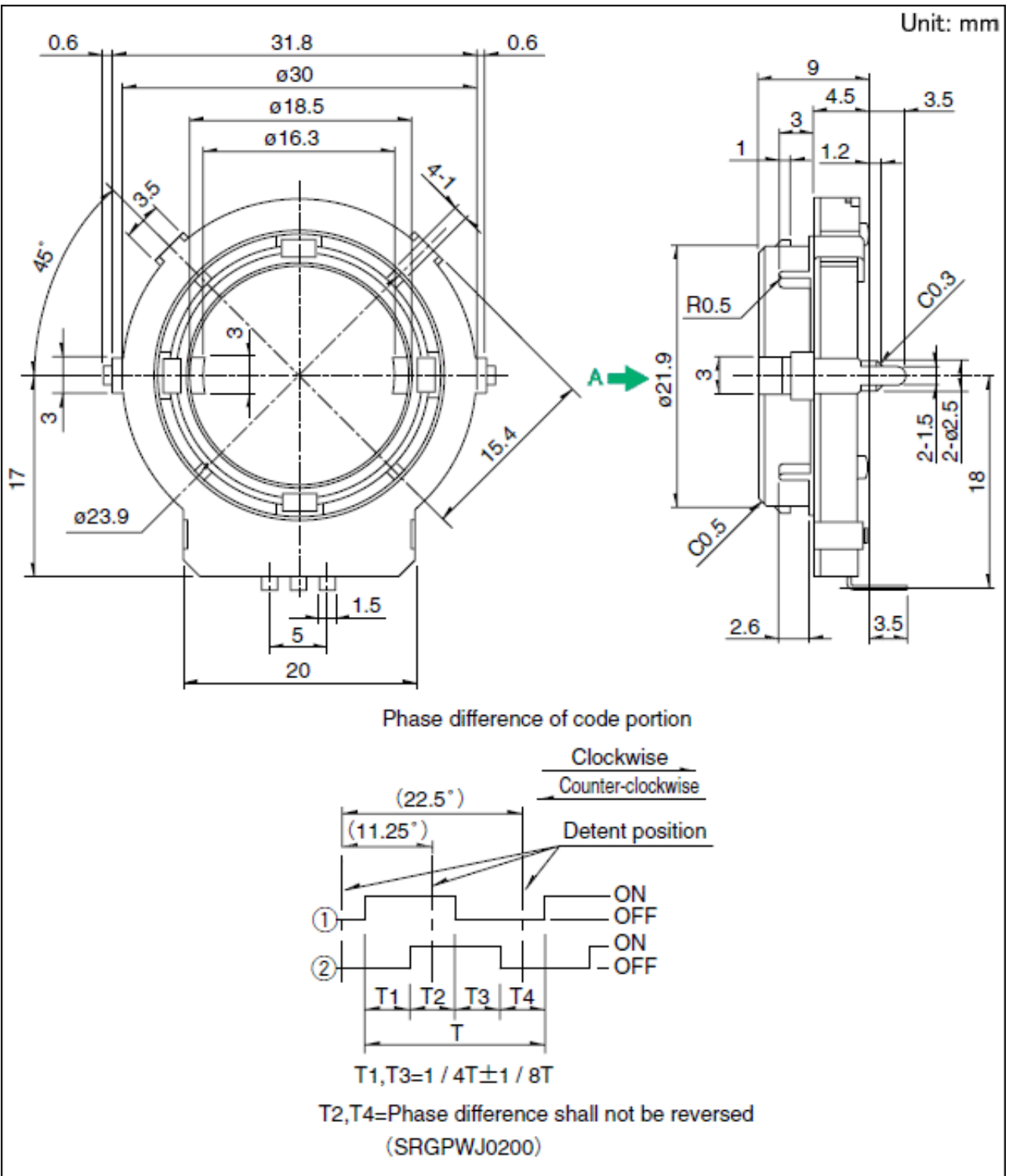


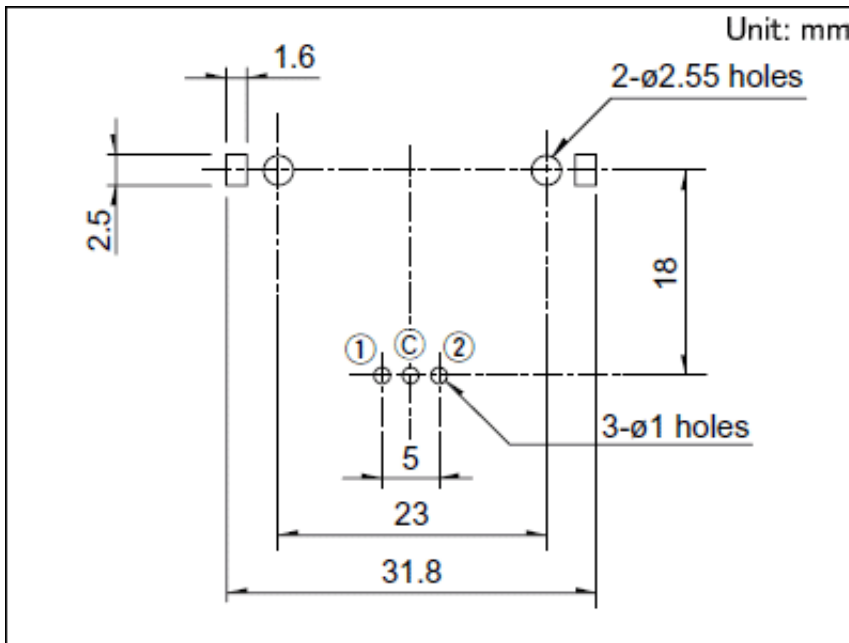
● ● **Detail**

Part number		SRGPWJ0200		
Detent torque		6.5±4mN·m		
Number of detent		32		
Number of pulse		16		
Minimum order unit (pcs.)		600		
Operating temperature range		-40°C to +85°C		
Rating (max.)/(min.) (Resistive load)		10mA 5V DC/50 μA 3V DC		
Electrical performance	Output voltage	1V max. at 1mA 5V DC (Resistive load) 		
	Insulation resistance	100MΩ min. 100V DC		
	Voltage proof	100V AC for 1 minute		
Mechanical performance	Changeover angle	22.5°		
	Robustness of terminal	5N for 1 minute		
	Actuator strength	Pushing direction	40N	
		Pulling direction	40N	
Vibration	10 to 55 to 10Hz/min., the amplitude is 1.5mm for all the frequencies, in the 3 direction of X, Y and Z for 2 hours respectively			
Resistance to soldering heat	Manual soldering	350±10°C, 3(+1, 0)s		
	Dip soldering	260±5°C, 5±1s		
Durability	Operating life without load	50,000 cycles		
	Operating life with load (Load: as ratings)	50,000 cycles		
Environmental performance	Cold	-40±2°C for 96h		
	Dry heat	85±2°C for 96h		
	Damp heat	40±2°C, 90 to 95%RH for 96h		
3D CAD (STEP)				
Certificate of Compliance to RoHS regulations				

● ● **Dimensions**



● Mounting Hole Dimensions



1. Viewed from the direction A in the dimensions.
2. PC board thickness in above diagram is based on 1.6mm.

• Packing Specifications

Bulk

Number of packages (pcs.)	1 case / Japan	200
	1 case / export packing	600
Export package measurements (mm)		536 × 381 × 170

>> NOTE

Notes are common to this series/models.

1. This site catalog shows only outline specifications. When using the products, please obtain formal specifications for supply.
2. Please place purchase orders per minimum order unit (integer).
3. Products other than those listed in the above chart are also available. Please contact us for details.
4. This products can be used in vehicles.
Although these products are designed to perform over a wide operating temperature range, please ensure that you receive and read the formal delivery specifications before use.