

9mm Size Metal Shaft Type EC09E Series

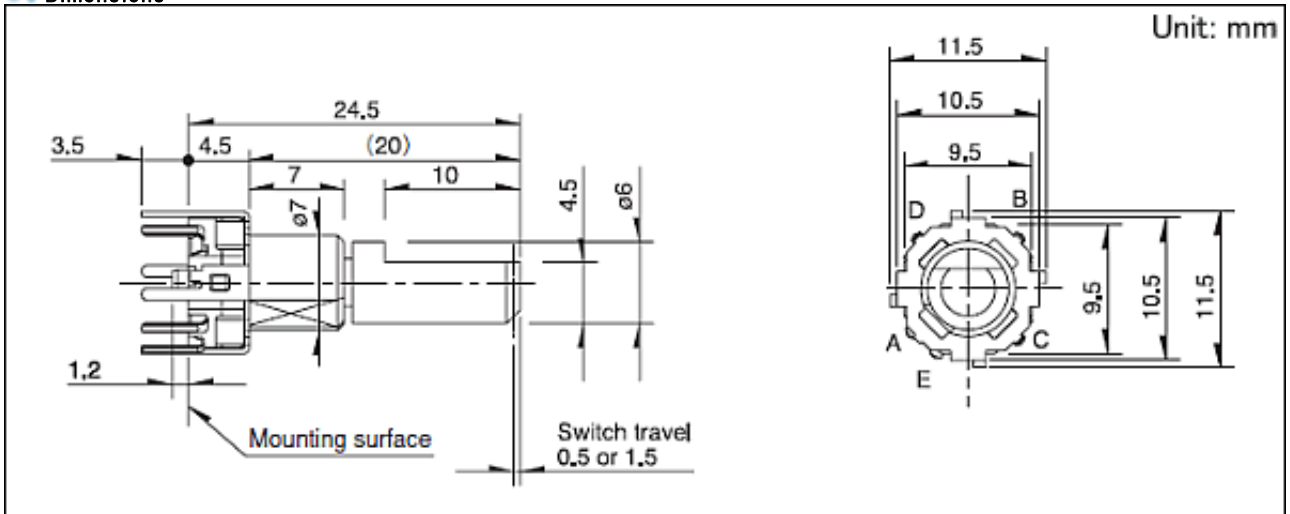
Detail

Part number		EC09E1524405
Actuator configuration		Flat
Actuator length		20mm
Detent torque		8±5mN·m
Number of detent		30
Number of pulse		15
Operating direction		Vertical
Push-on switch		With
Travel of push-on switch		0.5mm
Minimum order unit (pcs.)		1,400
Operating temperature range		-40°C to +85°C
Maximum operating current (Resistive load)		10mA
Electrical performance	Ratings	10mA 5V DC
	Output signal	Output of A and B signals, proportionate to phase difference
	Insulation resistance	100MΩ min. 250V DC
	Voltage proof	300V AC for 1 minute
Mechanical performance	Detent torque	8±5mN·m
	Push-pull strength	100N
Resistance to soldering heat	Manual soldering	350°C max. 3s max.
	Dip soldering	260±5°C, 3±1s
Durability	Operating life	15,000 cycles
Environmental performance	Cold	-40±3°C for 240h
	Dry heat	85±3°C for 240h
	Damp heat	60±2°C, 90 to 95%RH for 240h
Push-on switch specifications	Contact arrangement	Single pole single throw (Push-on)
	Travel	0.5±0.3mm
	Operating force	6(+2.5, -2)N
	Rating	10mA 5V DC
	Contact resistance (Initial performance/After lifetime)	100mΩ max./200mΩ max.
	Operating life	10,000 times min.
3D CAD (STEP)		
Certificate of Compliance to RoHS regulations		

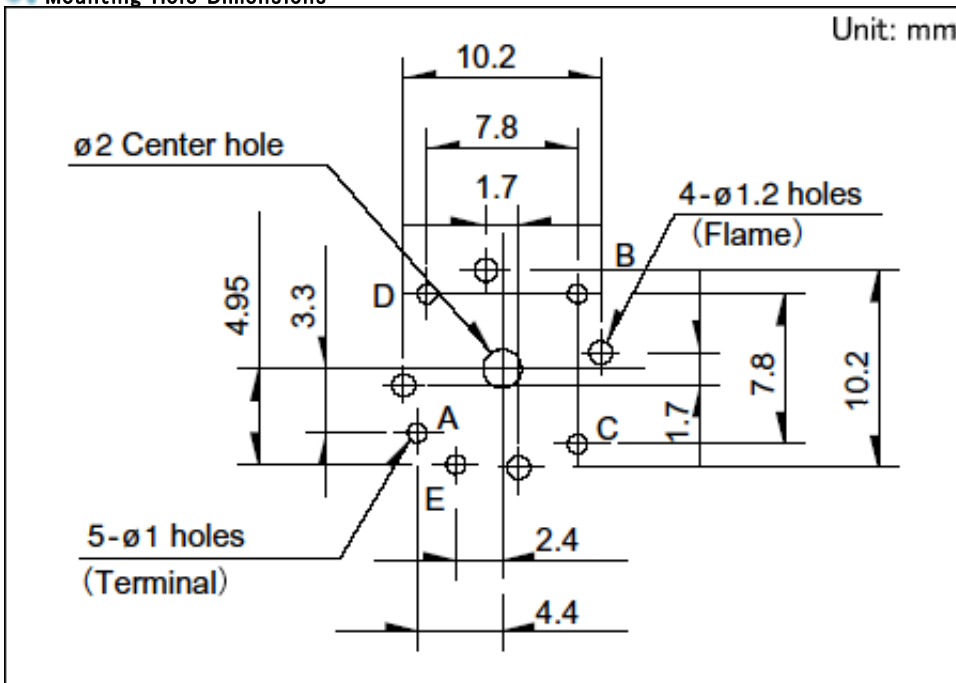
Photo



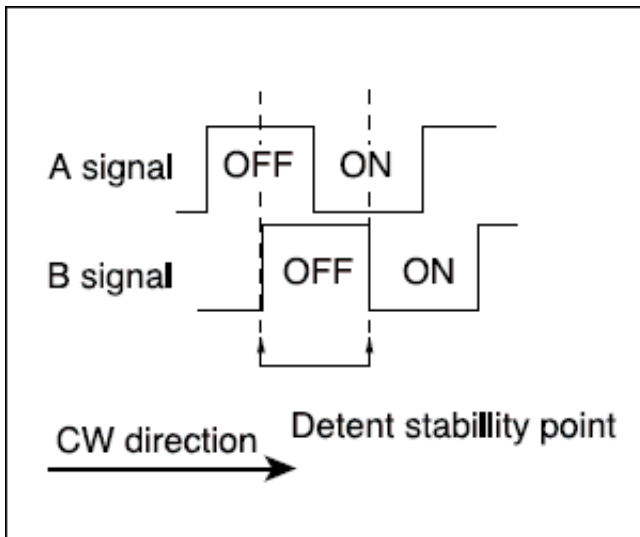
•• Dimensions



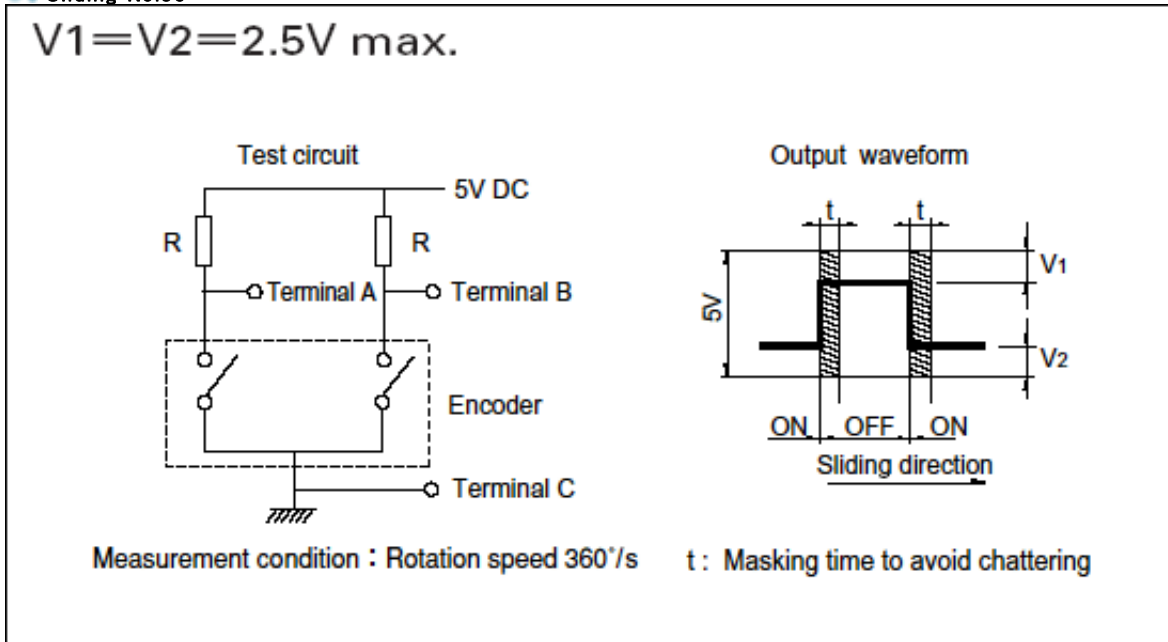
•• Mounting Hole Dimensions



•• Output Wave



• Sliding Noise



At $R=5k\ \Omega$ Chattering: 5ms max. Bounce: 2ms max.

• Packing Specifications

Tray

Number of packages (pcs.)	1 case / Japan	700
	1 case / export packing	1,400
Export package measurements (mm)		374 × 529 × 213

>> NOTE

Notes are common to this series/models.

1. This site catalog shows only outline specifications. When using the products, please obtain formal specifications for supply.
2. Please place purchase orders per minimum order unit (integer).
3. Products other than those listed in the above chart are also available. Please contact us for details.
4. This products can be used in vehicles.
Although these products are designed to perform over a wide operating temperature range, please ensure that you receive and read the formal delivery specifications before use.