

PROPRIETARY INFORMATION: PROPRIETARY OF GLOBTEK, INC. ANY REPRODUCTION, DISCLOSURE OR USE OF THIS DRAWING, IN WHOLE OR IN PART, IS HEREBY PROHIBITED EXCEPT AS SPECIFIED IN WRITING BY GLOBTEK, INC.	REVISION			
	REV	DESCRIPTION	DATE	APPROVED
	A	INITIAL RELEASE, RFS. 18304, EM	03/18/10	HM
	B	REVISE CASE, PACKING, RFS. 18783, EM	06/01/10	HM

**1. NOTES:**

DIMENSIONS ARE IN MM UNLESS SPECIFIED OTHERWISE.

**2. ELECTRICAL SPECIFICATIONS:**



INPUT VOLTAGE:	100-240 VAC
INPUT CURRENT:	< 0.6 A RMS MAX
INPUT FREQUENCY:	47 - 63 HZ
OUTPUT VOLTAGE :	12 VDC
OUTPUT CURRENT :	2.08 A, NO MINIMUM LOAD REQUIRED
OUTPUT POWER (RATED):	25 WATTS MAX
OUTPUT RIPPLE VOLTAGE (PEAK TO PEAK):	+/-1% OR 150 mV WHICHEVER IS GREATER AT NOMINAL OUTPUT VOLTAGE. MEASURED AT 20 MHz BANDWIDTH WITH 0.1µf CERAMIC CAPACITOR IN PARALLEL WITH 10 µf ELECTROLYTIC CAPACITOR CONNECTED AT THE END OF THE OUTPUT CONNECTOR.
OUTPUT REGULATION:	± 5 % OF NOMINAL OUTPUT VOLTAGE, MEASURED AT O/P CONNECTOR AT NOMINAL LINE
LINE REGULATION:	± 1 % MAX AT FULL LOAD
TURN ON/ TURN OFF OVERSHOOT:	5% MAX 500µS MAX RECOVERY TIME FOR 25% TO 50% STEP LOAD
TURN-ON DELAY:	3000 mSEC MAX AT FULL LOAD, 115 VAC
HOLD-UP TIME:	10 mSEC MIN AT NOMINAL INPUT AND FULL LOAD
INRUSH CURRENT:	30 A MAX AT COLD START 120 VAC, 60A MAX COLD START 230VAC
SWITCHING FREQUENCY:	66.5 KHz TYPICAL
OVER-VOLTAGE PROTECTION:	PROTECTED, HICCUP WITH AUTO RECOVERY
OVER-LOAD:	PROTECTED, HICCUP WITH AUTO RECOVERY
SHORT CIRCUIT:	PROTECTED, HICCUP WITH AUTO RECOVERY
NO LOAD POWER CONSUMPTION:	MEETS ENERGY STAR LEVEL IV, 115 VAC
OUTPUT INDICATOR:	BLUE LED FOR OUTPUT PRESENT
OTHER PROTECTION:	INPUT LINE AND NEUTRAL FUSING
SAFETY APPROVALS :	UL60950-1, CUL TO 22.2 # 950, DEMKO TO EN60950-1, CE, CB REPORT AS/NZ TO 60950-1, C-TICK TO EN55022
DIELECTRIC WITHSTAND VOLTAGE:	4242 VDC PRIMARY-SECONDARY
LEAKAGE CURRENT:	≤ 0.3 mA AT 240 VAC
EMI:	COMPLIES WITH EN55022 CLASS B, VCCI AND FCC PART 15 CLASS B WHEN TESTED WITH A RESISTIVE LOAD, BOTH CONDUCTED AND RADIATED EMI
CE MARK:	TESTED TO COMPLY WITH EN 60601-1-2:2001, EN61000-3-2 , EN61000-3-3, INCLUDING EN61000-4-2, EN61000-4-3, EN61000-4-4, EN61000-4-5, EN61000-4-6, EN61000-4-8, EN61000-4-11
EFFICIENCY:	COMPLIES TO SECTION 301 OF ENERGY INDEPENDENCE AND SECURITY ACT (EISA) COMPLIES WITH ENERGY STAR TIER 2 (NORTH AMERICA), CECP TIER 2 (CHINA), MEPS TIER 2 (AUSTRALIA), CODE OF CONDUCT (EUROPE) 5.0 ~ 6.9V WITH 1000 mm CABLE ONLY
MTBF:	200,000 HOURS AT 25°C AMBIENT TEMPERATURE
OPERATING TEMPERATURE:	0°C TO 40° C
STORAGE TEMPERATURE:	-40°C TO 80° C
HUMIDITY:	0% TO 90% RELATIVE HUMIDITY
ROHS:	COMPLIES WITH EU 2002/95/EC AND CHINA SJ/T 11363-2006

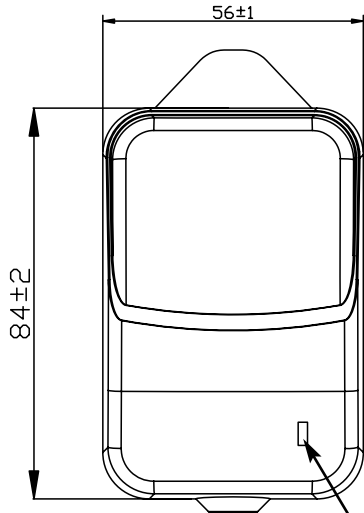
Foot Note: Globtek Inc. will not be liable for the safety and performance of these power supplies if unauthorized access and repair occurs. End user should consult applicable UL, CSA or EN standards for proper installation instructions	C	PART NO	REV.	DESCRIPTION	NOTES
		TABULATION BLOCK			
Limitation of Use: Globtek product are not authorized for use as mission critical components in life support, hazardous environment, nuclear or aircraft applications without prior written approval from the CEO of Globtek Inc.	INIT.BY:EM	DATE:	TOLERANCES: DECIMALS    ANGULAR .xx +/- 0.1    +/- 1° .xxx +/- .005		<b>186 Veterans Dr. Northvale, NJ 07647</b> <b>Tel. 201-784-1000 Fax 201.784.0111</b> <b>www.globtek.com</b>
		DATE:	MILLIMETERS    ANGULAR .xx +/- 0.3    +/- 1° .xxx +/- .013	DWG TITLE: WALL PLUG-IN SWITCHING POWER SUPPLY, 25WATTS, N.A., EURO. UK, SAA UNIVERSAL INPUT, ITE, CLASS II	
		DATE:	FSCN No.:    SIZE G, N    A	MODEL NO: GT-41060-2512	
Contents of this document are subject to change without prior notice	APRVD: HM	DATE:	CAGE CODE: 0GV V90	PART NO: <b>WR9QE2FIT10NUK(RE)</b>	SHEET 1 OF 5
		03/18/10	SCALE: NONE		

**PROPRIETARY INFORMATION:**

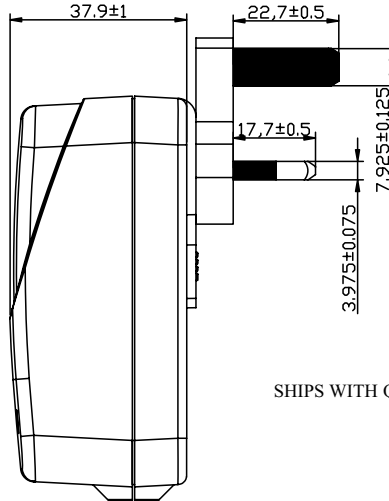
PROPRIETARY OF GLOBTEK, INC. ANY REPRODUCTION, DISCLOSURE OR USE OF THIS DRAWING, IN WHOLE OR IN PART, IS HEREBY PROHIBITED EXCEPT AS SPECIFIED IN WRITING BY GLOBTEK, INC.

**3. ENCLOSURE**

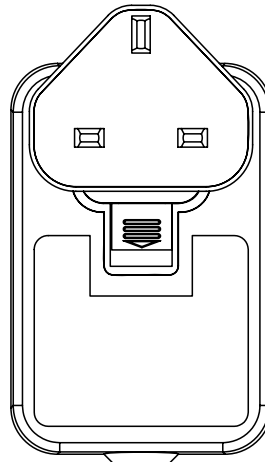
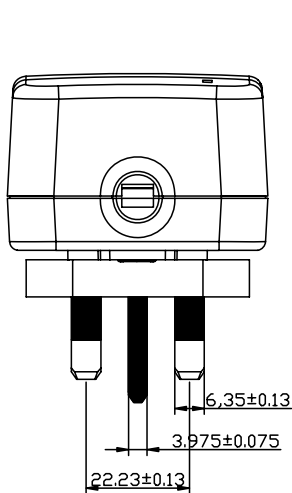
UPPER HOUSING: HIGH IMPACT PLASTIC, 94V0 POLYCARBONATE, NON-VENTED, COLOR BLACK  
 LOWER HOUSING: HIGH IMPACT PLASTIC 94V0 POLYCARBONATE, NON- VENTED, COLOR BLACK  
 SIZE: 84 (± 2 mm) x 56 x 37.9(± 1 mm)



LED INDICATOR  
 BLUE = "ON"

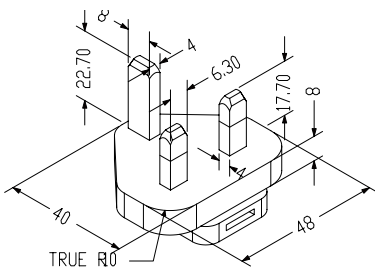


SHIPS WITH Q-UK(R) PINS INSTALLED




**4. INPUT CONNECTORS:**

UK CONFIGURATION, UK 2 PINS WITH DUMMY GROUND, BS 1363, CLASS II, Q-UK(R) INSTALLED



P/N: Q-UK(R)  
 UNITED KINGDOM  
 HONG KONG  
 SINGAPORE

 <b>GlobTek, Inc.</b> www.globtek.com	186 Veterans Dr. Northvale, NJ 07647 Tel. 201-784-1000 Fax 201.784.0111
	DWG TITLE: WALL PLUG-IN SWITCHING POWER SUPPLY, 25WATTS, N.A., EURO. UK, SAA UNIVERSAL INPUT, ITE, CLASS II
MODEL NO: GT-41060-2512	REV. B
PART NO: <b>WR9QE2FIT10NUK(RE)</b>	SHEET 2 OF 5

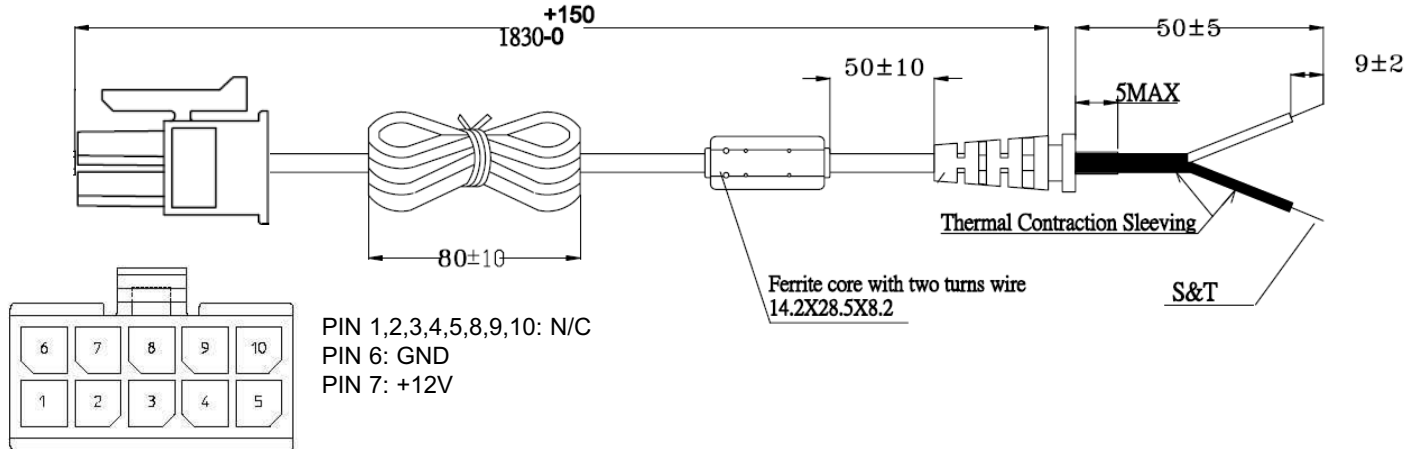
**PROPRIETARY INFORMATION:**  
 PROPRIETARY OF GLOBTEK, INC. ANY REPRODUCTION, DISCLOSURE OR  
 USE OF THIS DRAWING, IN WHOLE OR IN PART, IS HEREBY  
 PROHIBITED EXCEPT AS SPECIFIED IN WRITING BY GLOBTEK, INC.

**5. OUTPUT CORD:**

1 CONDUCTOR+SHIELD, 18 AWG STRANDED WIRE, ROUND UL# 1185, COLOR BLACK, LENGTH (L) OF CORD:  
 1830 +150, -0 mm. CORD IS MEASURED FROM THE HOUSING TO THE END OF OVERMOLD OF THE CONNECTOR.  
 CABLE IS TO BE MARKED WITH WIRE GAUGE, AND ALL APPLICABLE RATING AND SAFETY APPROVALS.  
 CABLE HAS MOLDED INLINE FERRITE.

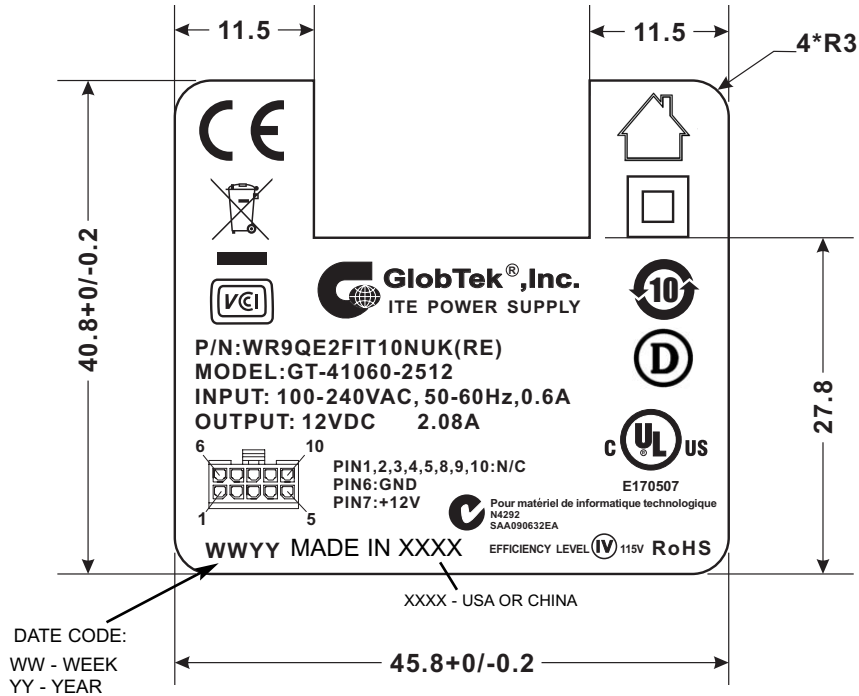
**6. OUTPUT CONNECTOR:**

MOLEX MICROFIT FEMALE 10 PIN 43025-1000 OR EQUIVALENT



**7. LABEL:**

MATERIAL: .007 (0.18) THICK FLAT THERMAL TRANSFER, IMPRINTABLE, BLACK POLYESTER SHEET WITH WHITE NOMENCLATURE.  
 MANUFACTURER: STEVEN LABEL, MATERIAL I.D. NO.3302-33, UL FILE NO. MH12821(N), UL MATERIAL DESIGNATION FILE NO. GHW332RL.  
 OPTIONAL LABEL MATERIAL CAN BE SUBSTITUTED PROVIDING MATERIAL IS UL LISTED AND COMPLIES WITH APPLICABLE SAFETY REQUIREMENTS.



**ACTUAL POSITIONING OF SYMBOLS AND TEXT IS  
 SUBJECT TO CHANGE AT TIME OF MANUFACTURE**

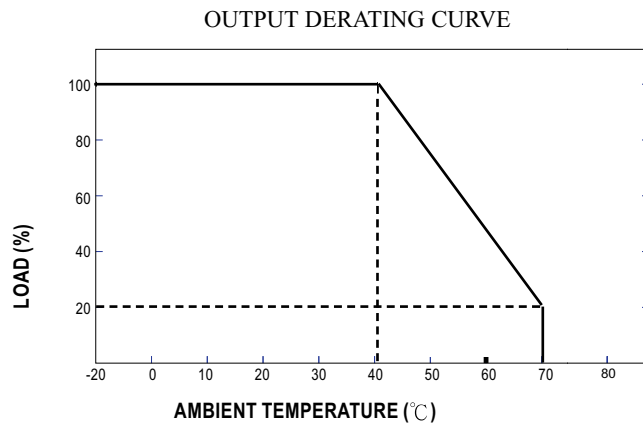


→ AVAILABLE UPON REQUEST

<b>GlobTek, Inc.</b> www.globtek.com		186 Veterans Dr. Northvale, NJ 07647 Tel. 201-784-1000 Fax 201.784.0111
DWG TITLE: WALL PLUG-IN SWITCHING POWER SUPPLY, 25WATTS, N.A., EURO, UK, SAA UNIVERSAL INPUT, ITE, CLASS II		
MODEL NO:	GT-41060-2512	REV. B
PART NO:	WR9QE2FIT10NUK(RE)	SHEET 3 OF 5

**PROPRIETARY INFORMATION:**  
 PROPRIETARY OF GLOBTEK, INC. ANY REPRODUCTION, DISCLOSURE OR USE OF THIS DRAWING, IN WHOLE OR IN PART, IS HEREBY PROHIBITED EXCEPT AS SPECIFIED IN WRITING BY GLOBTEK, INC.

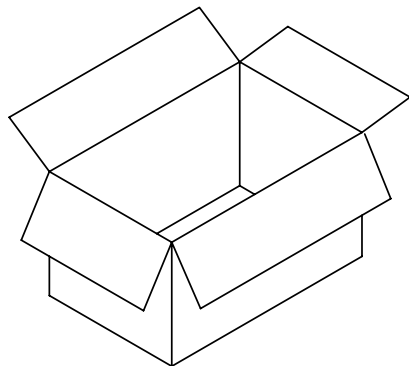
**8. OUTPUT DERATING CURVE :**



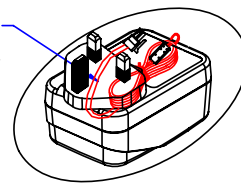
**9. PACKING:**



***NORTH AMERICAN PLUG BLADES Q-UK(R) ARE INSTALLED***

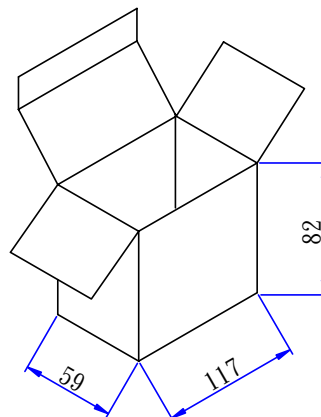
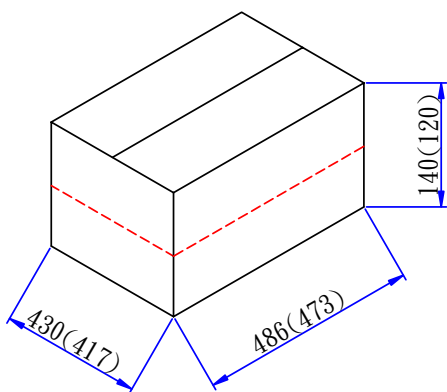


AC pin protecte sheet



PE BAG 200\*150mm

PRODUCT



WHITE BOX

CARTON MATERIAL:A=B(6mm)  
 CARTON SIZE:486\*430\*140mm

Q' TY: 40PCS(20\*2)

<b>GlobTek, Inc.</b> <a href="http://www.globtek.com">www.globtek.com</a>	186 Veterans Dr. Northvale, NJ 07647 Tel. 201-784-1000 Fax 201.784.0111
	DWG TITLE: WALL PLUG-IN SWITCHING POWER SUPPLY, 25WATTS, N.A., EURO. UK, SAA UNIVERSAL INPUT, ITE, CLASS II
MODEL NO: GT-41060-2512	REV. B
PART NO: <b>WR9QE2FIT10NUK(RE)</b>	SHEET 4 OF 5

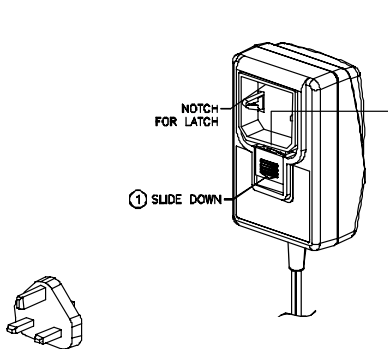
**PROPRIETARY INFORMATION:**

PROPRIETARY OF GLOBTEK, INC. ANY REPRODUCTION, DISCLOSURE OR USE OF THIS DRAWING, IN WHOLE OR IN PART, IS HEREBY PROHIBITED EXCEPT AS SPECIFIED IN WRITING BY GLOBTEK, INC.

**AC PLUG ASSEMBLY INSTRUCTION**

PROTECTION FRAME(Color white or black)

Note: Please remove before inserting the AC PLUG



**China RoHS SELF DISCLOSURE TABLE**

有毒有害物质或元素名称及含量标准形式 Name and concentration of hazardous substance or element in product						
零件名 Name of part	剧毒有害物质或元素 Hazardous substance or element					
	铅 Pb	汞 Hg	镉 Cd	六价铬 Cr(VI)	多溴联苯 PBB	多溴二苯醚 PBDE
Diode (DF) 二极管	X	○	○	○	○	○
Diode (ITO-220AB) 二极管	X	○	○	○	○	○
SMD resistor SMD 电阻	X	○	○	○	○	○
SMD Diode SMD 二极管	X	○	○	○	○	○
PLUG 直流输出端子	X	○	○	○	○	○
AC PIN 交流输入端子	X	○	○	○	○	○

○: 表示该有毒有害物质在这部件中所有同质材料中的含量均在SJ/T 11363-2006规定的限量要求以下。  
○: refers to the concentration of this hazard substance in the all homogenous materials in this part is below the concentration limit as stipulated in the standard SJ/T 11363-2006.

X: 表示该有毒有害物质至少在这部件中的某一同质材料中的含量超出 SJ/T 11363-2006规定的限量要求。  
X: refers to the concentration of this hazard substance at least in a homogenous material is higher than the concentration limit as stipulated in the standard SJ/T 11363-2006.

**GlobTek, Inc.**  
www.globtek.com

186 Veterans Dr. Northvale, NJ 07647  
Tel. 201-784-1000 Fax 201.784.0111

DWG TITLE: WALL PLUG-IN SWITCHING POWER SUPPLY, 25WATTS,  
N.A., EURO, UK, SAA UNIVERSAL INPUT, ITE, CLASS II

MODEL NO: WR9QE2FIT10NUK(RE)

REV.  
A

PART NO: WR9QE2080EIAJ4-N(RE)

SHEET 5 OF 5