



SSF215 Series

Long reach external mount via 1/2"NPT



- Long reach for thick walled tanks and boss mounting
- Available with flying lead or M12 plug connection
- Float material SS 316, stem material SS 304
- External mount via 1/2"NPT thread, so does not require access to the inside of the tank for fitting.
- N/O or N/C switching action

Technical Specification

Mounting style	External	Cable length - standard	100cm
Mounting thread	1/2"NPT	Cable size	17/0.10 - AWG22
Float & Stem material	316/304 grade SS	Cable conductor material	Tinned copper
Maximum Temperature	120°C	Cable sheath material	Teflon
Maximum pressure	10 bar	Cable temperature rating	200°C
Float SG	0.7	Sealing gasket	Not supplied
Minimum fluid SG	0.8	Tightening torque for fixing	2.0kg/cm

Electrical Specification

Contact Form		N/O (N/C)
Switching Power Max	VA	50
Switching Voltage AC Max	V	300
Switching Voltage DC Max	V	300
Switching Current Max	A	0.5

All ratings are for resistive load only.

The SSF215 series of floatswitches are externally mounted horizontal switches. This series has an extended reach to provide a solution for extra thick tank walls or for mounting in welded on 1/2"NPT bosses.

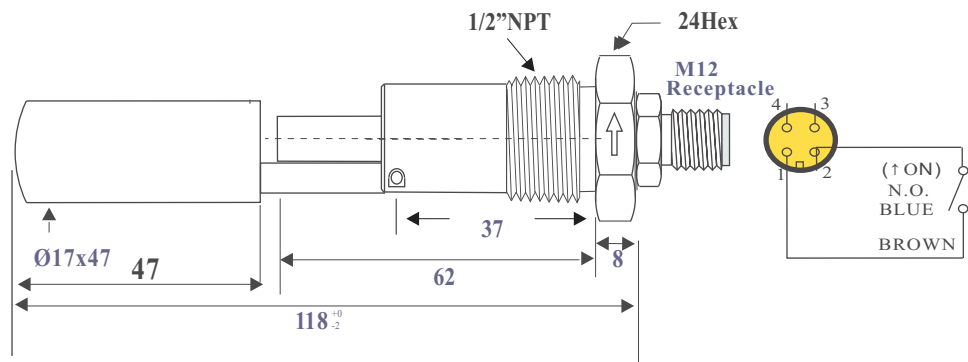
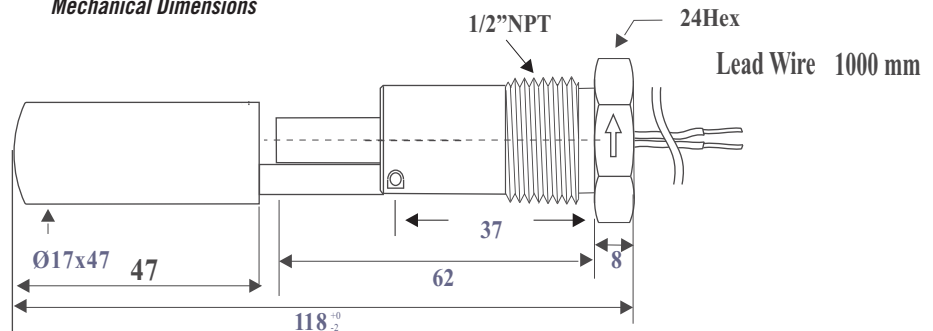
The 1/2"NPT thread enables the switches to be fitted through the wall of a tank from the outside, so does not require access to the inside of the tank.

The floatswitch can be fitted to achieve either N/O (make on rise) or N/C (make on fall) switching action by simply rotating the switch through 180°.

Standard Parts	Stem Material	Float Material	Max Power	Leadouts
SSF215X100	SS304	SS316	50VA	100cm Teflon AWG 22
SSF215XPM12	SS304	SS316	50VA	M12 Plug connection

Custom versions can be made for particular applications. Please contact Cynergy3 with your requirements.

Mechanical Dimensions



Cynergy3 Components Ltd.
7 Cobham Road
Ferndown Industrial Estate
Wimborne, Dorset BH21 7PE
Telephone +44 (0) 1202 897969

Email:sales@cynergy3.com

ISO9001 CERTIFIED

www.cynergy3.com