



To: All Molex Sales and Marketing  
From: Richard Bahou, Global Product Manager  
Re: I-Trac Right Angle Plug Product Improvements  
  
Date: March 5, 2012  
  
Series: 78229, 78234, 78684

---

I-TRAC Power Modules			
Description	Product Series		
Row Size	7	11	15
RA Plug Header	78229	78234	78684

### What's changing?

Improved right angle plug power module product design results in single piece unitized housing combining both power module and PC board retention device.

### Product Overview

The I-Trac product line consists of several power module variations, used with the 7, 11, and 15 row I-Trac signal modules.

### Product Improvement

Aligned with company continues improvement policy, Molex enhanced connector product design improves application performance, manufacturing process, and tray design.

1. The new enhanced power module connector will result in a single piece unitized design combining both the power module and PC board retention.
2. The older generation (existing) power module design includes power module and board retention components assembled together via metal stiffener.
3. Product design changes will not affect Printed Circuit Board layout design.
4. Product performance and specification will remain unchanged.
5. Packaging redesigned to strengthen tray and accommodate single and dual power module.

### PN and Product Series

- Molex will maintain same PNs and product series for both 7 and 11 row.
  - Series 78229 (7 row) and 78234 (11 row) will maintain same PN.
- Molex will change PN series for 15 row to 78684 and obsolete series 78239.

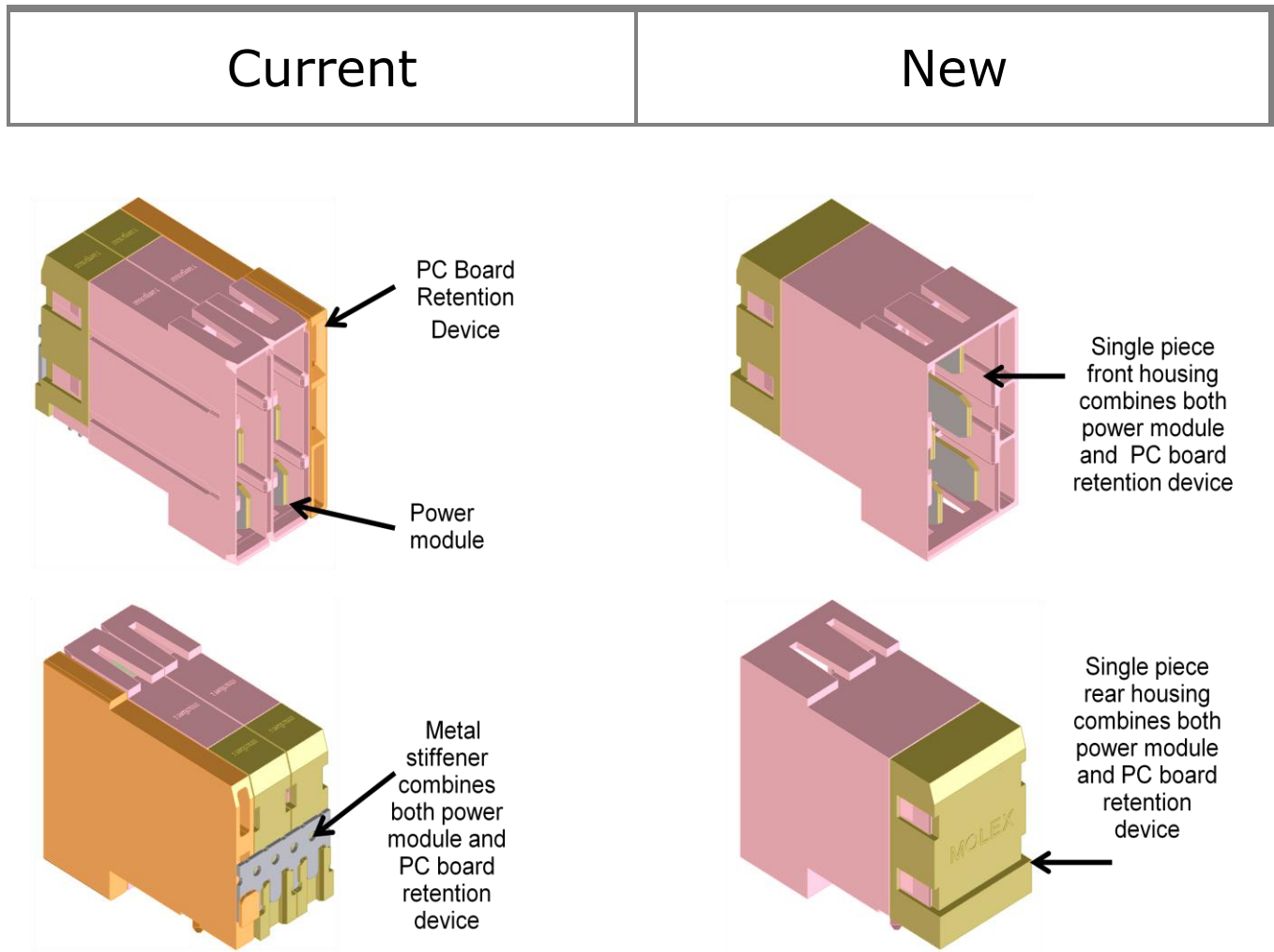
The product changes will be a running change for customer shipments commencing May 2012.

Figure 1 summarizes product design changes

Figure 2 summarizes PN changes

Figure 3 summarizes Tray Packaging Changes

**Figure 1**  
**Right Angle Plug Design Improvements**



**Figure 2**  
**Right Angle Plug PN Changes**

Existing PN	PCB Retention Location	Number of Power Modules	New PN	PCB Retention Location	Number of Power Modules	Plating
78239-1005	Left	1	78684-1005	Left	1	Tin
78239-1055	Left	2	78684-1055	Left	2	
78239-2005	Right	1	78684-2005	Right	1	
78239-2055	Right	2	78684-2055	Right	2	

**Figure 3**  
**Right Angle Plug Tray Changes**

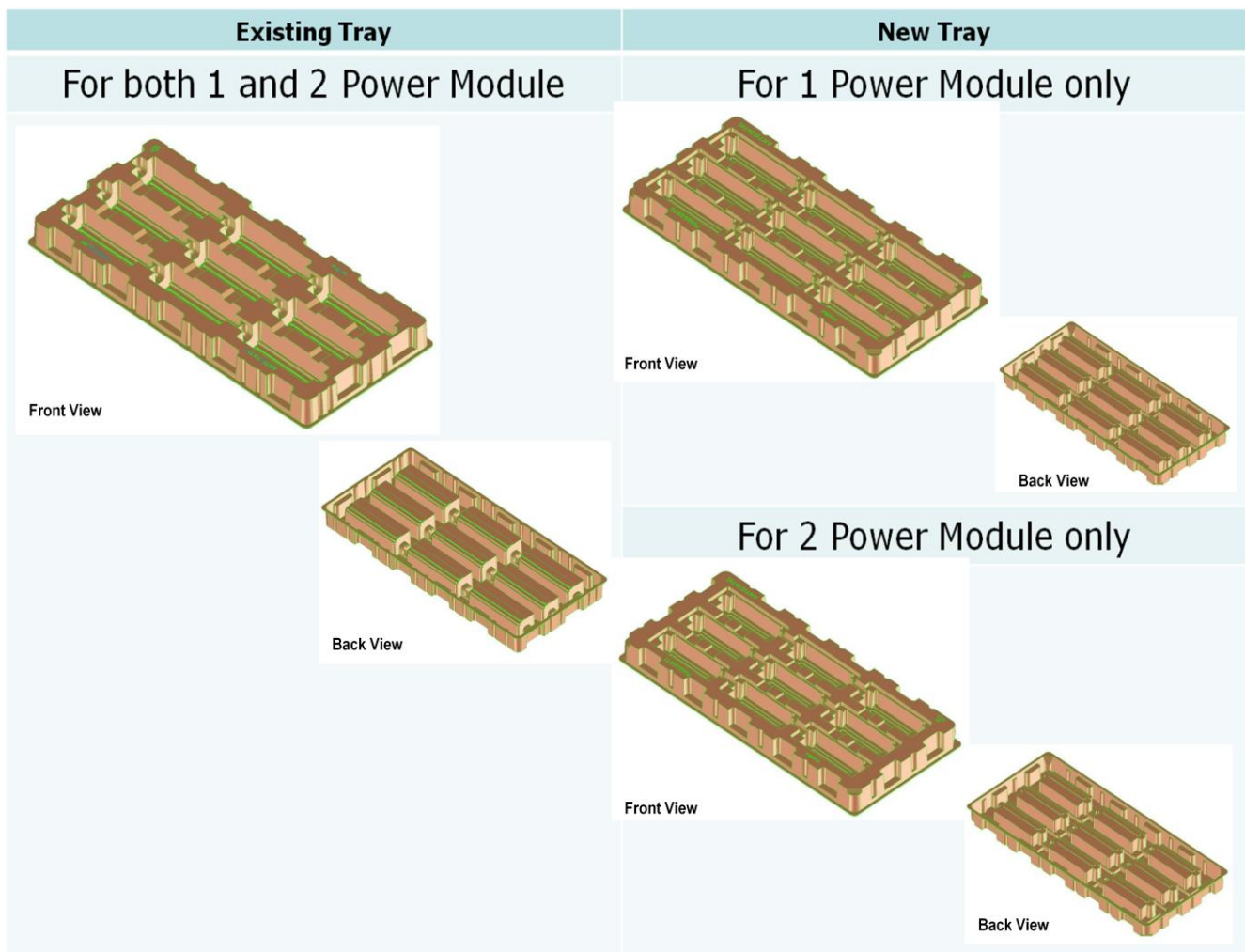


TABLE 1 : UNITIZED CONNECTOR WITH HOLD DOWN MODULE

PART NUMBER	NUMBER OF POWER MODULES	*DIM A*	PLATING OPTION	HOLD DOWN MODULE LOCATION
78229-100*	1X	10.90	TIN	LEFT (REFER TO SHEET 2 FOR DETAILS)
78229-10**	2X	18.30		RIGHT (REFER TO SHEET 3 FOR DETAILS)
78229-200*	1X	10.90		
78229-20**	2X	18.30		

PART NUMBER LEGEND: 78229-\*0\*\*

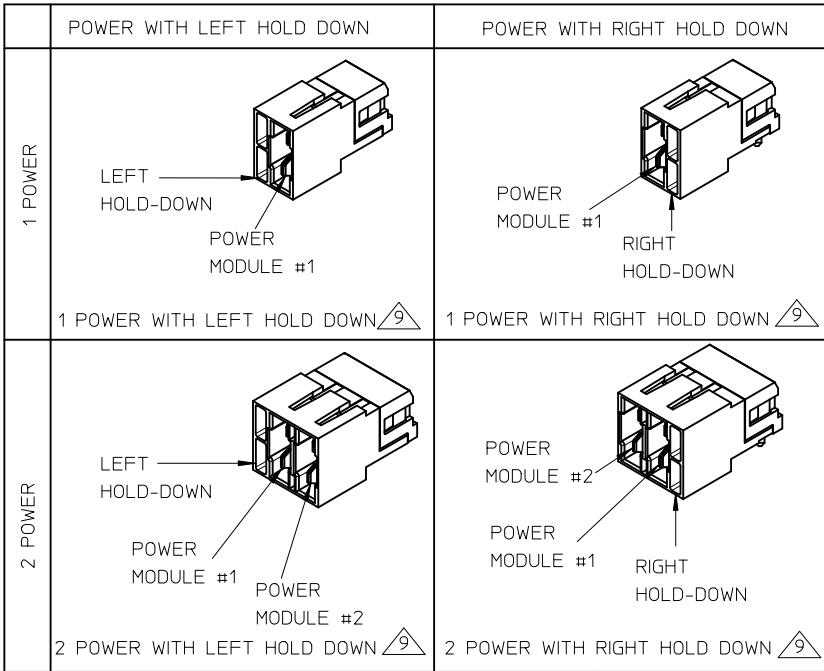
PLATING OPTION	HOLD DOWN MODULE LOCATION	*	POWER MODULE 2		POWER MODULE 1				
			BLADE LENGTH		BLADE LENGTH				
TIN	LEFT	1	P1	P2	P1	P2			
			MODULE NOT PRESENT		1	8.27	8.27	8.27	9.77
			RIGHT	2	2	8.27	9.77	3	6.77

NOTES

- MATERIALS :  
HOUSING - HIGH TEMP. THERMOPLASTIC, GLASS FILLED, UL94-V0,COLOR:BLACK.  
POWER PIN - COPPER ALLOY
- FINISHES :  
POWER CONTACTS  
0.76µm MINIMUM GOLD AT CONTACT AREA AND  
2.54µm MINIMUM TIN AT SOLDERTAIL AREA OVER  
1.27µm MINIMUM NICKEL UNDERPLATE.
- PRODUCT SPECIFICATION: PS-78231-006.
- COMPONENT STAY AWAY ZONE FROM CONNECTOR.
- PCB NOTE FOR PLATED HOLE.

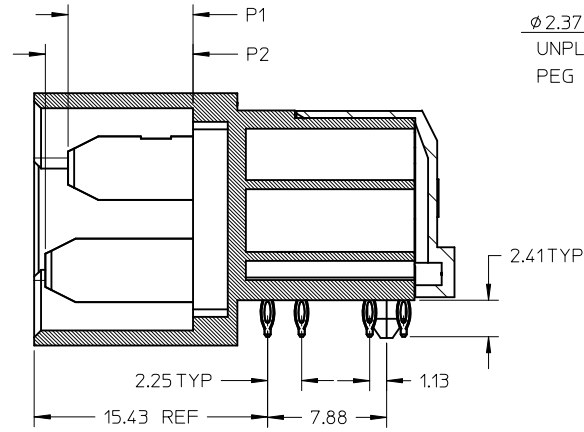
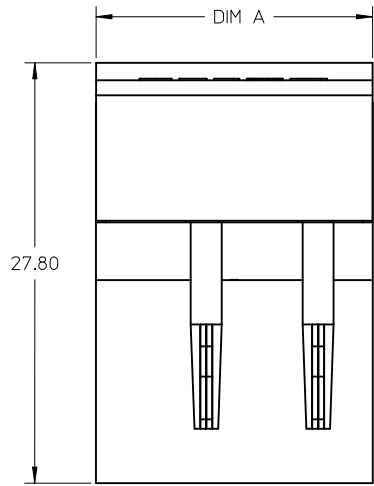
TYPE OF PLATED HOLE	DRILLED HOLE SIZE	PLATING THICKNESS	PLATED HOLE SIZE *ØDIM H*
TIN/TIN-LEAD	0.838	0.007 MIN TIN/TIN-LEAD/SILVER	0.725±0.075
SILVER	0.863	OVER 0.03 TO 0.08 COPPER PLATING	0.750±0.050

- MATES WITH 78227-1\*\*\* and 78230-\*\*\*\*.
- PART NUMBER AND YEAR-DAY CODE CAN BE ON EITHER SIDE OF WALL.
- ADD 7.40mm FOR EACH ADDITIONAL MODULE.
- THE DETAILS FOR LEFT HOLD DOWN OPTION SHOWN ON SHEET2 AND RIGHT HOLD DOWN OPTION SHOWN ON SHEET 3.
- CONNECTORS ARE PACKED IN A TRAY.
- MODULE LOCATION IS FROM NEXT TO HOLD DOWN MODULE WITH STARTING MODULE AS \*#1\*.
- BOTTOM AND TOP CIRCUITS ARE INDICATED AS \*CKT A\* AND \*CKT B\*.
- ALL PARTS ARE SHIPPED WITH A 2-32 TYPE AB SELF-TAPPING SCREW PART NUMBER 73726-0005.
- PACKAGING PROCEDURE AS PER PK-78229-001.

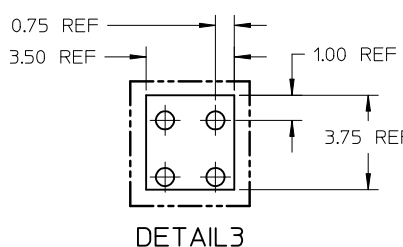
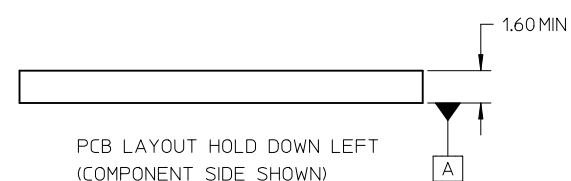
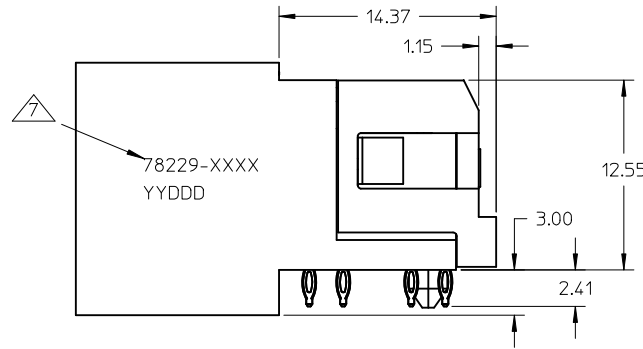
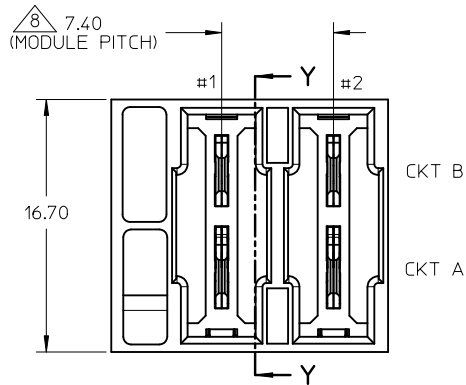
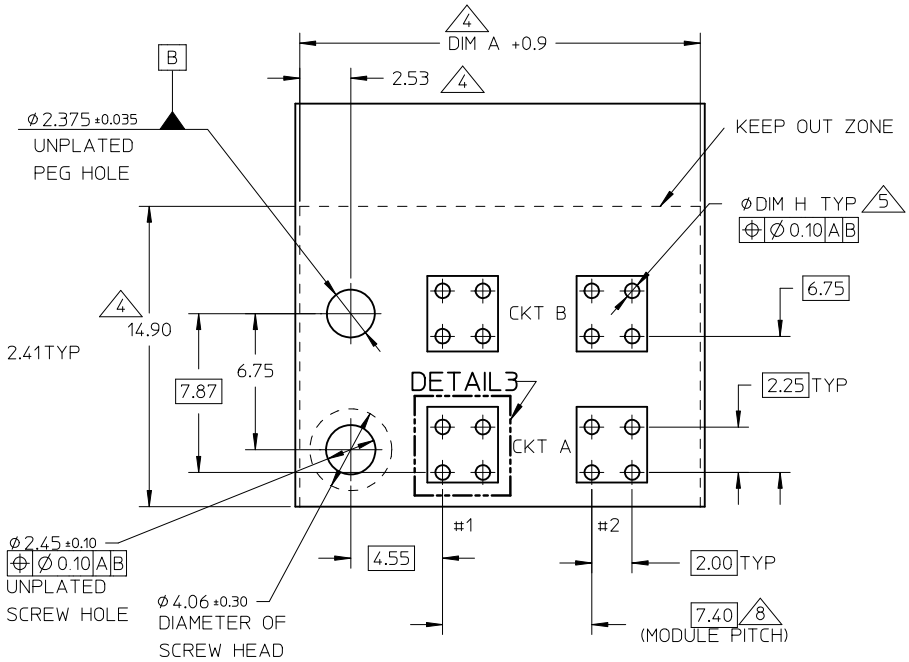


INITIAL RELEASE EC NO: S2012-0455 DRWN:SHONG 2011/12/02 CHKD: LNG 2011/12/27 APPR: NAGESHKIN 2012/01/17	QUALITY SYMBOLS	GENERAL TOLERANCES (UNLESS SPECIFIED)	DIMENSION STYLE	SCALE	DESIGN UNITS	THIRD ANGLE PROJECTION	
		mm INCH	MM ONLY	NTS	METRIC		
		4 PLACES ± --- ± --- 3 PLACES ± --- ± --- 2 PLACES ± 0.25 ± --- 1 PLACE ± --- ± ---	DRAWN BY DATE LKCHEW 2011/11/04	TITLE	I-TRAC POWER ,7 ROW HEADER WITH HOLD DOWN PRESS FIT, R/A		
	ANGULAR ± 3 °	CHECKED BY DATE LNG	APPROVED BY DATE SHONG 2011/11/29	MOLEX INCORPORATED	DOCUMENT NO.	SD-78229-003	
REV	DESCRIPTION	DRAFT WHERE APPLICABLE MUST REMAIN WITHIN DIMENSIONS	SIZE	THIS DRAWING CONTAINS INFORMATION THAT IS PROPRIETARY TO MOLEX INCORPORATED AND SHOULD NOT BE USED WITHOUT WRITTEN PERMISSION			SHEET NO. 1 OF 3

LEFT HOLD DOWN OPTION

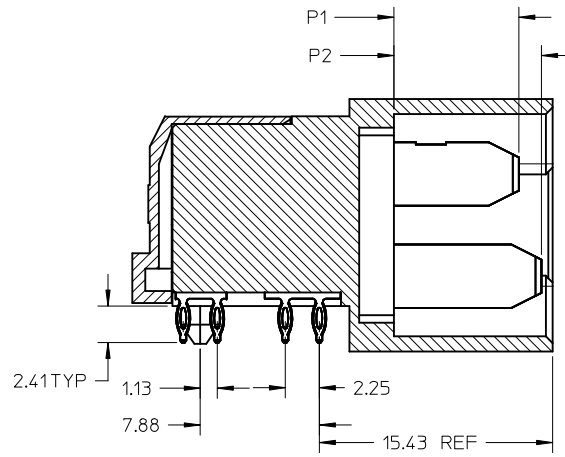
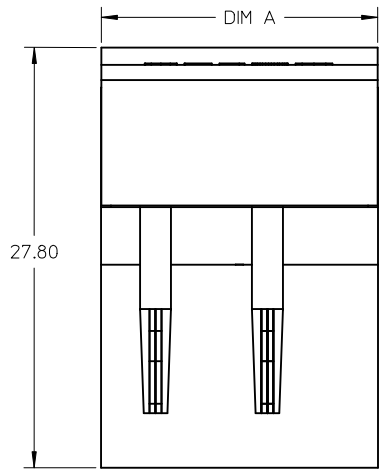


SECTION Y-Y

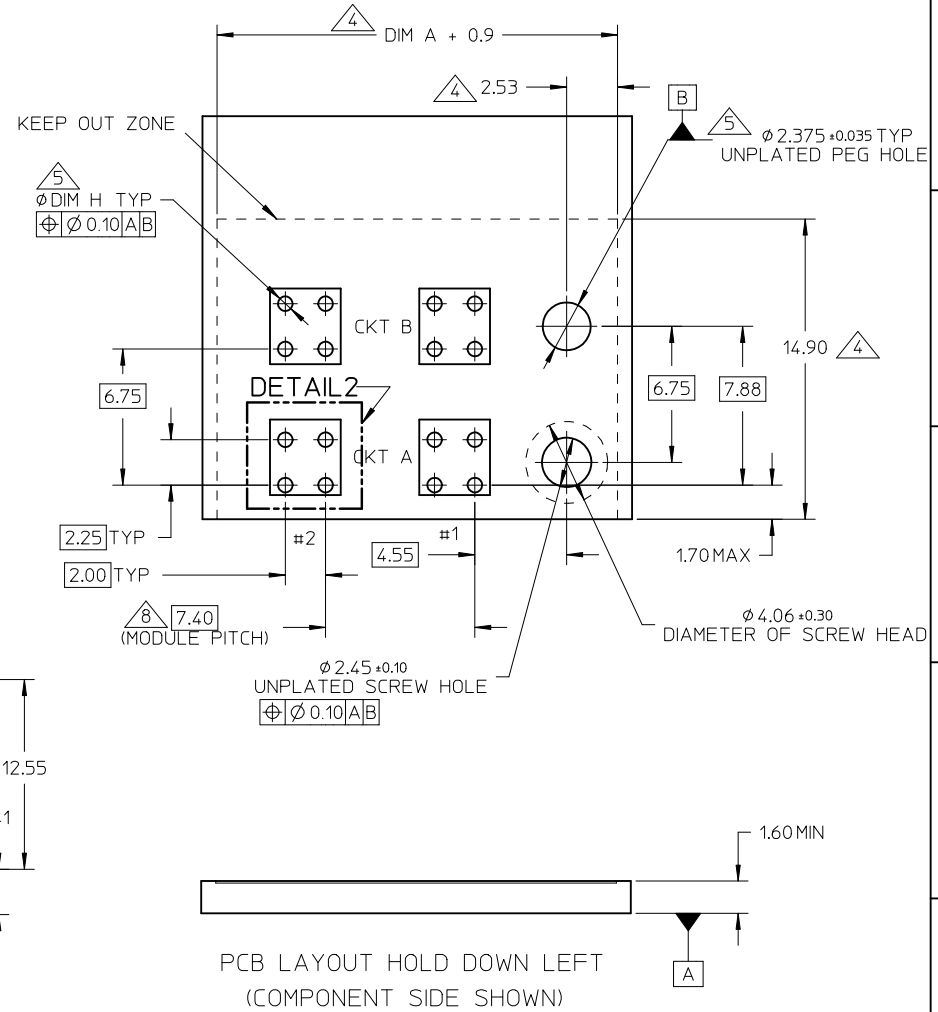
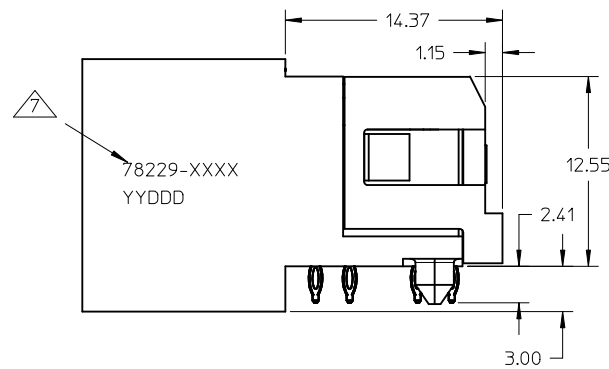
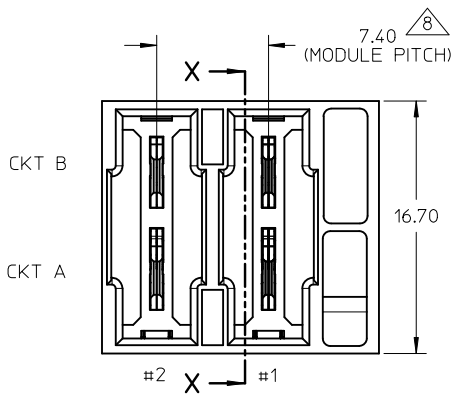


INITIAL RELEASE EC NO: S2012-0455 DRWN: SHONG CHKD: LNG APPR: NAGESHKN 2011/12/02 2011/12/27 2012/01/17	QUALITY SYMBOLS ▽=0 ◻=0	GENERAL TOLERANCES (UNLESS SPECIFIED)		DIMENSION STYLE MM ONLY		SCALE NTS	DESIGN UNITS METRIC	THIRD ANGLE PROJECTION			
		4 PLACES ± --- ± ---	3 PLACES ± --- ± ---	DRAWN BY LKCHEW	DATE 2011/11/04	TITLE I-TRAC POWER ,7 ROW HEADER WITH HOLD DOWN PRESS FIT, R/A					
		2 PLACES ± 0.25 ± ---	1 PLACE ± --- ± ---	CHECKED BY LNG	DATE	MOLEX INCORPORATED					
		ANGULAR ± 3 °		APPROVED BY SACHIN	DATE 2011/11/29	SEE TABLE		DOCUMENT NO. SD-78229-003	SHEET NO. 2 OF 3		
DRAFT WHERE APPLICABLE MUST REMAIN WITHIN DIMENSIONS		SIZE A3		THIS DRAWING CONTAINS INFORMATION THAT IS PROPRIETARY TO MOLEX INCORPORATED AND SHOULD NOT BE USED WITHOUT WRITTEN PERMISSION							

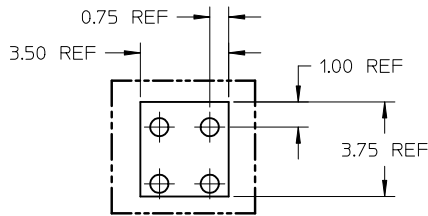
RIGHT HOLD DOWN OPTION



SECTION X-X



PCB LAYOUT HOLD DOWN LEFT  
(COMPONENT SIDE SHOWN)



DETAIL 2  
COPPER PAD REFERENCE

INITIAL RELEASE EC NO: S2012-0455 DRWN: SHONG CHKD: LNG APPR: NAGESHKIN 2011/12/02 2011/12/27 2012/01/17	QUALITY SYMBOLS	GENERAL TOLERANCES (UNLESS SPECIFIED)	DIMENSION STYLE	SCALE	DESIGN UNITS	THIRD ANGLE PROJECTION														
	<p>▽=0</p> <p>∇=0</p>	<table border="1"> <thead> <tr> <th></th> <th>mm</th> <th>INCH</th> </tr> </thead> <tbody> <tr> <td>4 PLACES</td> <td>± ---</td> <td>± ---</td> </tr> <tr> <td>3 PLACES</td> <td>± ---</td> <td>± ---</td> </tr> <tr> <td>2 PLACES</td> <td>± 0.25</td> <td>± ---</td> </tr> <tr> <td>1 PLACE</td> <td>± ---</td> <td>± ---</td> </tr> </tbody> </table> <p>ANGULAR ± 3 °</p>		mm	INCH	4 PLACES	± ---	± ---	3 PLACES	± ---	± ---	2 PLACES	± 0.25	± ---	1 PLACE	± ---	± ---	MM ONLY	NTS	METRIC
	mm	INCH																		
4 PLACES	± ---	± ---																		
3 PLACES	± ---	± ---																		
2 PLACES	± 0.25	± ---																		
1 PLACE	± ---	± ---																		

DRAWN BY LKCHEW 2011/11/04	DATE 2011/11/04	CHECKED BY LNG DATE	APPROVED BY NAGESHKIN DATE 2011/11/29	MATERIAL NO.	DOCUMENT NO.	SHEET NO.

TITLE	78229-XXXX YYDDD
TITLE	I-TRAC POWER ,7 ROW HEADER WITH HOLD DOWN PRESS FIT, R/A
MOLEX	MOLEX INCORPORATED
SD-78229-003	SD-78229-003
SIZE A3	3 OF 3

<p>78229-XXXX YYDDD</p>	<p>SD-78229-003</p>	<p>3 OF 3</p>
-------------------------	---------------------	---------------

TABLE 1 : UNITIZED CONNECTOR WITH HOLD DOWN MODULE

PART NUMBER	NUMBER OF POWER MODULES	"DIM A"	PLATING OPTION	HOLD DOWN MODULE LOCATION
78234-100*	1X	10.90	TIN	LEFT (REFER TO SHEET 2 FOR DETAILS)
78234-10**	2X	18.30		
78234-200*	1X	10.90		RIGHT (REFER TO SHEET 3 FOR DETAILS)
78234-20**	2X	18.30		

PART NUMBER LEGEND: 78234-\*0\*\*

PLATING OPTION	HOLD DOWN MODULE LOCATION	*
TIN	LEFT	1
	RIGHT	2

*	BLADE LENGTH	
	P1	P2
0	MODULE NOT PRESENT	
1	8.27	8.27
2	8.27	9.77
3	6.77	9.77

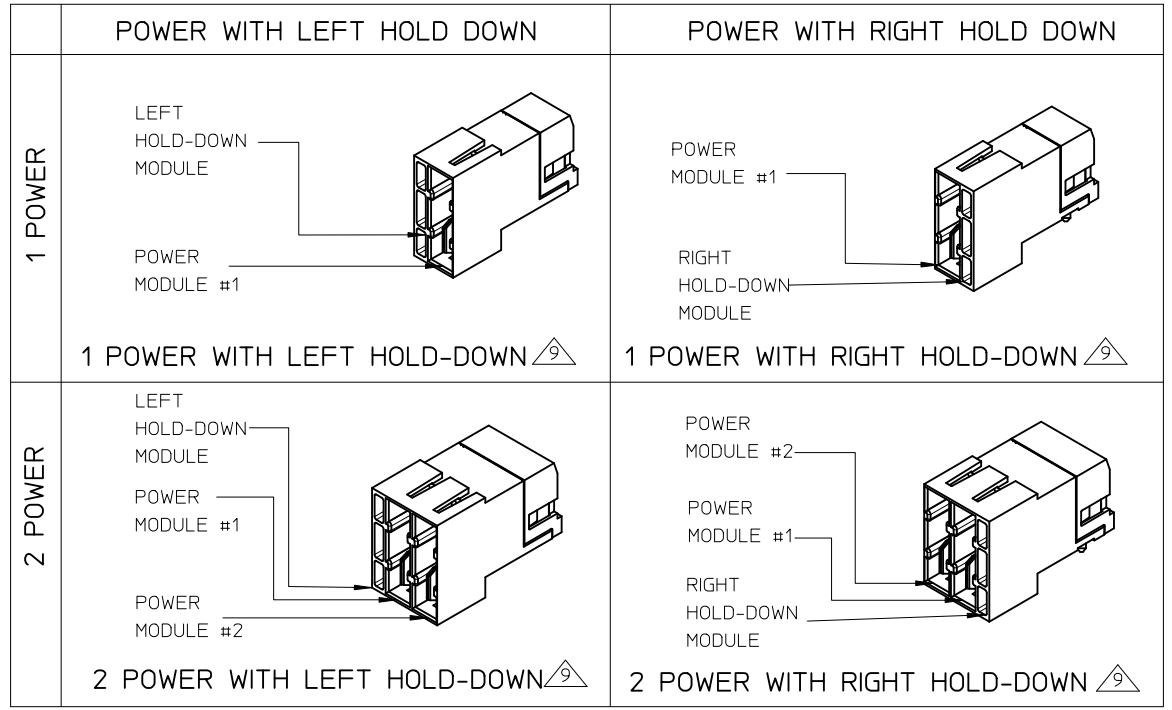
*	BLADE LENGTH	
	P1	P2
1	8.27	8.27
2	8.27	9.77
3	6.77	9.77

- NOTES
- MATERIALS :  
HOUSING - HIGH TEMP. THERMOPLASTIC, GLASS FILLED, UL94-V0,COLOR:BLACK.  
POWER PIN - COPPER ALLOY
  - FINISHES :  
POWER CONTACTS  
0.76µm MINIMUM GOLD AT CONTACT AREA AND  
2.54µm MINIMUM TIN AT SOLDERTAIL AREA OVER  
1.27µm MINIMUM NICKEL UNDERPLATE.
  - PRODUCT SPECIFICATION: PS-78231-006.

- COMPONENT STAY AWAY ZONE FROM CONNECTOR.
- PCB NOTE FOR PLATED HOLE.

TYPE OF PLATED HOLE	DRILLED HOLE SIZE	PLATING THICKNESS	PLATED HOLE SIZE "ØDIM H"
TIN/TIN-LEAD	0.838	0.007 MIN TIN/TIN-LEAD/SILVER	0.725±0.075
SILVER	0.863	OVER 0.03 TO 0.08 COPPER PLATING	0.750±0.050

- MATES WITH 78237-\*\*\*\*.
- PART NUMBER AND YEAR-DAY CODE CAN BE ON EITHER SIDE OF WALL.
- ADD 7.40mm FOR EACH ADDITIONAL MODULE.
- THE DETAILS FOR LEFT HOLD DOWN OPTION SHOWN ON SHEET2 AND RIGHT HOLD DOWN OPTION SHOWN ON SHEET 3.
- CONNECTORS ARE PACKED IN A TRAY.
- MODULE LOCATION IS FROM NEXT TO HOLD DOWN MODULE WITH STARTING MODULE AS "#1".
- BOTTOM AND TOP CIRCUITS ARE INDICATED AS "CKT A" AND "CKT B".
- ALL PARTS ARE SHIPPED WITH A 2-32 TYPE AB SELF-TAPPING SCREW PART NUMBER 73726-0005.
- PACKAGING PROCEDURE AS PER PK-78234-001.



INITIAL RELEASE  
EC NO: S2012-0368  
DRWN:SHONG 2011/11/10  
CHKD:LING 2011/11/17  
APPR:NAGESHKN 2011/12/06

QUALITY SYMBOLS  
▽=0  
◻=0

GENERAL TOLERANCES (UNLESS SPECIFIED)

	mm	INCH
4 PLACES	± ---	± ---
3 PLACES	± ---	± ---
2 PLACES	± 0.25	± ---
1 PLACE	± ---	± ---

ANGULAR ± 3 °

DRAFT WHERE APPLICABLE MUST REMAIN WITHIN DIMENSIONS

DIMENSION STYLE  
MM ONLY

DRAWN BY SHONG DATE 2011/11/10  
CHECKED BY LNG DATE 2011/11/17  
APPROVED BY NAGESHKN DATE 2011/12/06

MATERIAL NO. SEE TABLE

SIZE A3

SCALE NTS  
DESIGN UNITS METRIC  
THIRD ANGLE PROJECTION

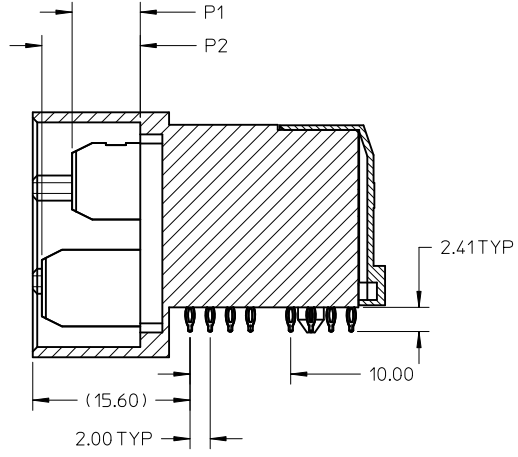
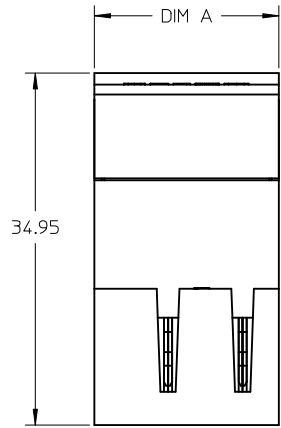
I-TRAC POWER, 11 ROW HEADER WITH HOLD DOWN PRESS FIT, R/A

MOLEX INCORPORATED

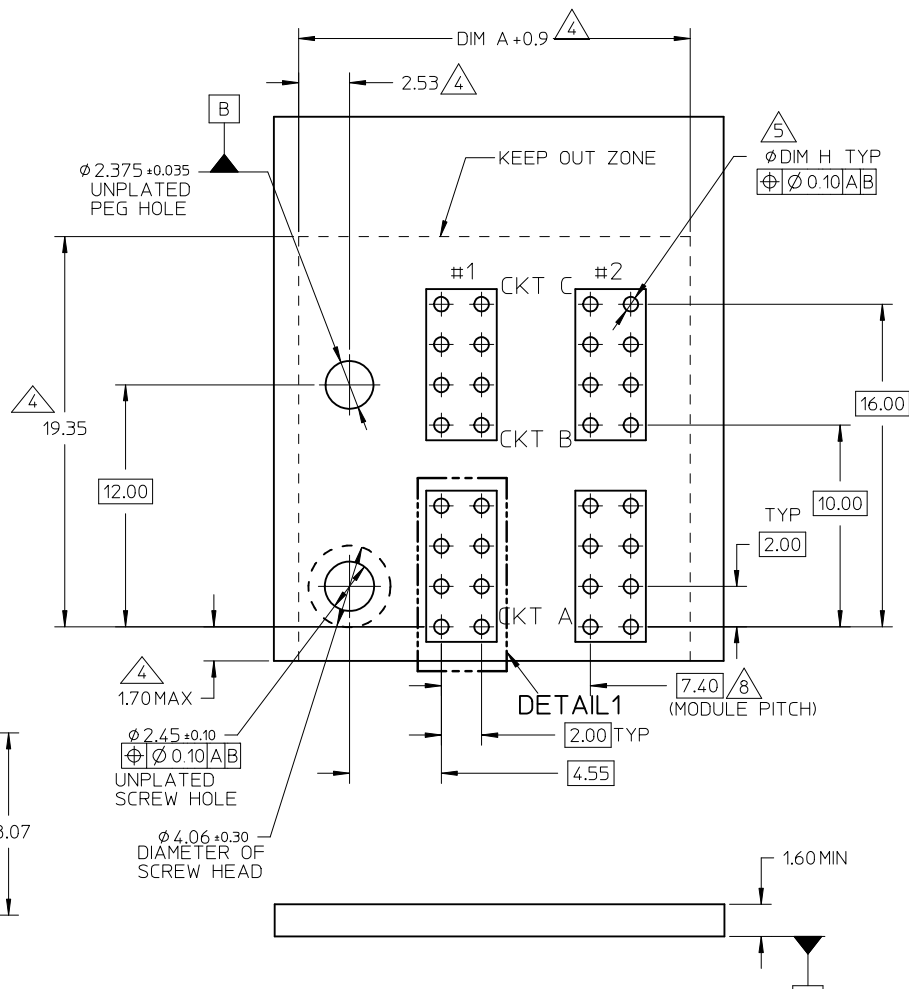
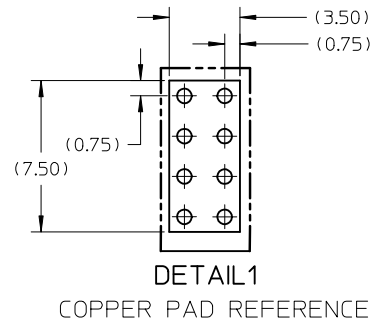
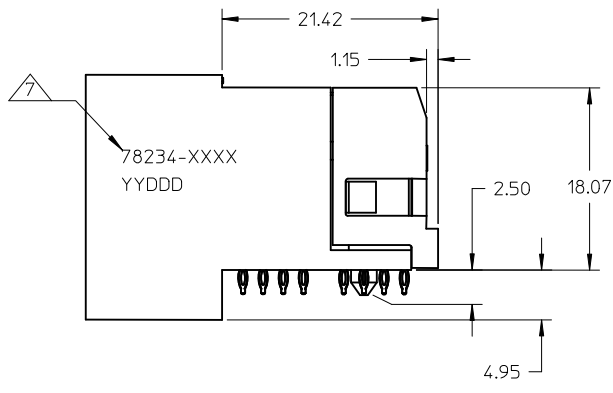
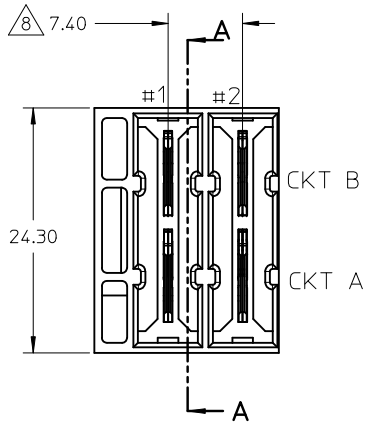
DOCUMENT NO. SD-78234-003 SHEET NO. 1 OF 3

THIS DRAWING CONTAINS INFORMATION THAT IS PROPRIETARY TO MOLEX INCORPORATED AND SHOULD NOT BE USED WITHOUT WRITTEN PERMISSION

LEFT HOLD DOWN OPTION



SECTION A-A

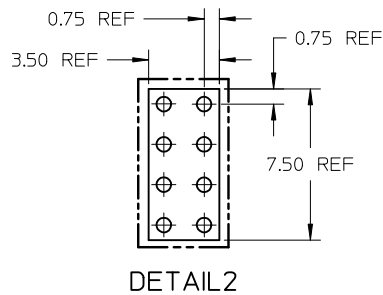
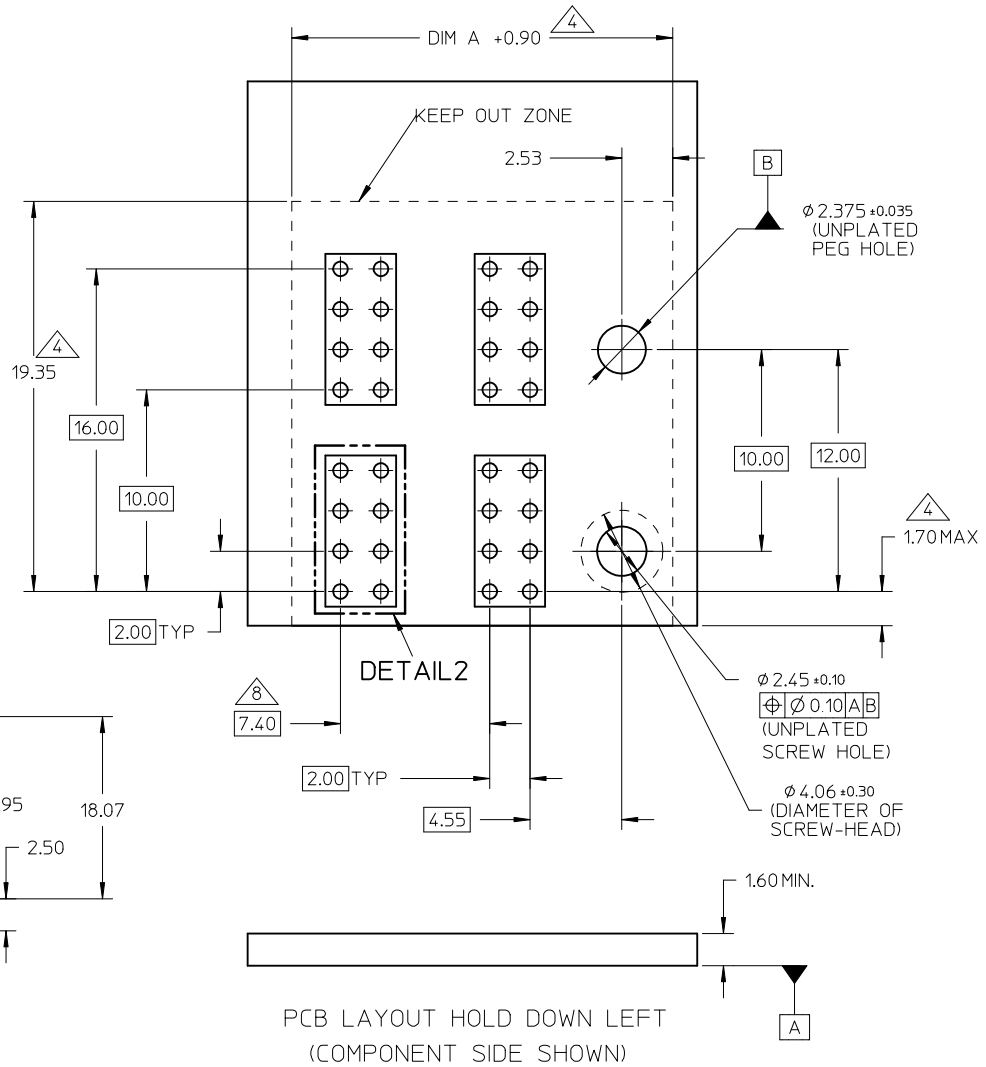
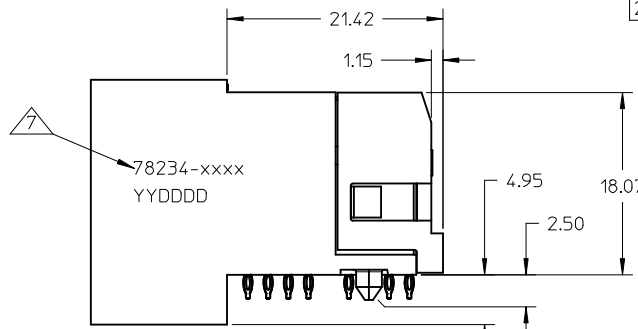
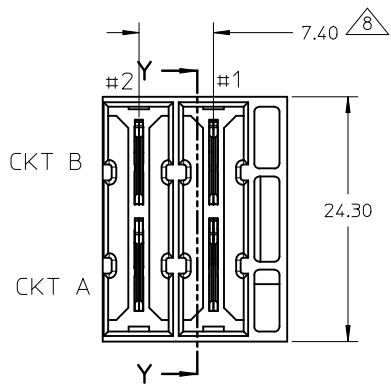
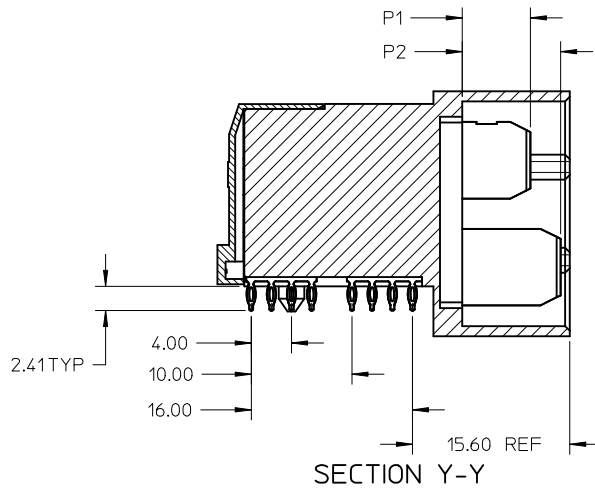
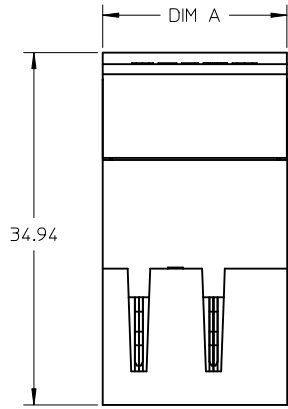


PCB LAYOUT HOLD DOWN LEFT  
(COMPONENT SIDE SHOWN)

INITIAL RELEASE EC NO: S2012-0368 DRWN: SHONG 2011/11/10 CHKD: LNG 2011/11/17 APPR: NAGESHK 2011/12/06	QUALITY SYMBOLS ▽=0 ◻=0	GENERAL TOLERANCES (UNLESS SPECIFIED)		DIMENSION STYLE MM ONLY		SCALE NTS	DESIGN UNITS METRIC	THIRD ANGLE PROJECTION		
			mm	INCH	DRAWN BY	DATE	TITLE			
		4 PLACES	± ---	± ---	SHONG	2011/11/10	I-TRAC POWER, 11 ROW HEADER WITH HOLD DOWN PRESS FIT, R/A			
		3 PLACES	± ---	± ---	CHECKED BY	DATE				
2 PLACES	± 0.25	± ---	LNG	2011/11/17	MOLEX INCORPORATED					
1 PLACE	± ---	± ---	APPROVED BY	DATE						
ANGULAR ± 3 °		DRAFT WHERE APPLICABLE MUST REMAIN WITHIN DIMENSIONS		SEE TABLE		DOCUMENT NO.		SHEET NO.		
A		REV		SIZE A3		MATERIAL NO.		SD-78234-003		
				THIS DRAWING CONTAINS INFORMATION THAT IS PROPRIETARY TO MOLEX INCORPORATED AND SHOULD NOT BE USED WITHOUT WRITTEN PERMISSION				2 OF 3		



RIGHT HOLD DOWN OPTION



INITIAL RELEASE EC NO: S2012-0368 DRWN: SHONG 2011/11/10 CHYD: LNG 2011/11/17 APPR: NAGESHKIN 2011/12/06	QUALITY SYMBOLS	GENERAL TOLERANCES (UNLESS SPECIFIED)		DIMENSION STYLE	SCALE	DESIGN UNITS	THIRD ANGLE PROJECTION	
	$\nabla = 0$ $\square = 0$	mm	INCH	MM ONLY	NTS	METRIC		
		4 PLACES ± --- ± ---	3 PLACES ± --- ± ---	DRAWN BY SHONG	DATE 2011/11/10	TITLE		I-TRAC POWER, 11 ROW HEADER WITH HOLD DOWN PRESS FIT, R/A
		2 PLACES ± 0.25 ± ---	1 PLACE ± --- ± ---	CHECKED BY LNG	DATE 2011/11/17	MOLEX INCORPORATED		
	ANGULAR ± 3 °	DRAFT WHERE APPLICABLE MUST REMAIN WITHIN DIMENSIONS		APPROVED BY NAGESHKIN	DATE 2011/12/06	DOCUMENT NO.	SHEET NO.	
		SEE TABLE		MATERIAL NO.	SD-78234-003		3 OF 3	
		THIS DRAWING CONTAINS INFORMATION THAT IS PROPRIETARY TO MOLEX INCORPORATED AND SHOULD NOT BE USED WITHOUT WRITTEN PERMISSION						

TABLE 1 : UNITIZED CONNECTOR WITH HOLD DOWN MODULE <sup>9</sup>

PART NUMBER	NUMBER OF POWER MODULES	"DIM A"	PLATING OPTION	HOLD DOWN MODULE LOCATION
78684-1005	1X	10.90	TIN	LEFT (REFER TO SHEET 2 FOR DETAILS)
78684-1055	2X	18.30		
78684-2005	1X	10.90		RIGHT (REFER TO SHEET 3 FOR DETAILS)
78684-2055	2X	18.30		

PART NUMBER LEGEND: 78684-\*0\*\*

PLATING OPTION	HOLD DOWN MODULE LOCATION	*
TIN	LEFT	1
	RIGHT	2

POWER MODULE 2			
*	BLADE LENGTH		
	P1	P2	P3
0	MODULE NOT PRESENT		
5	6.77	8.27	9.77

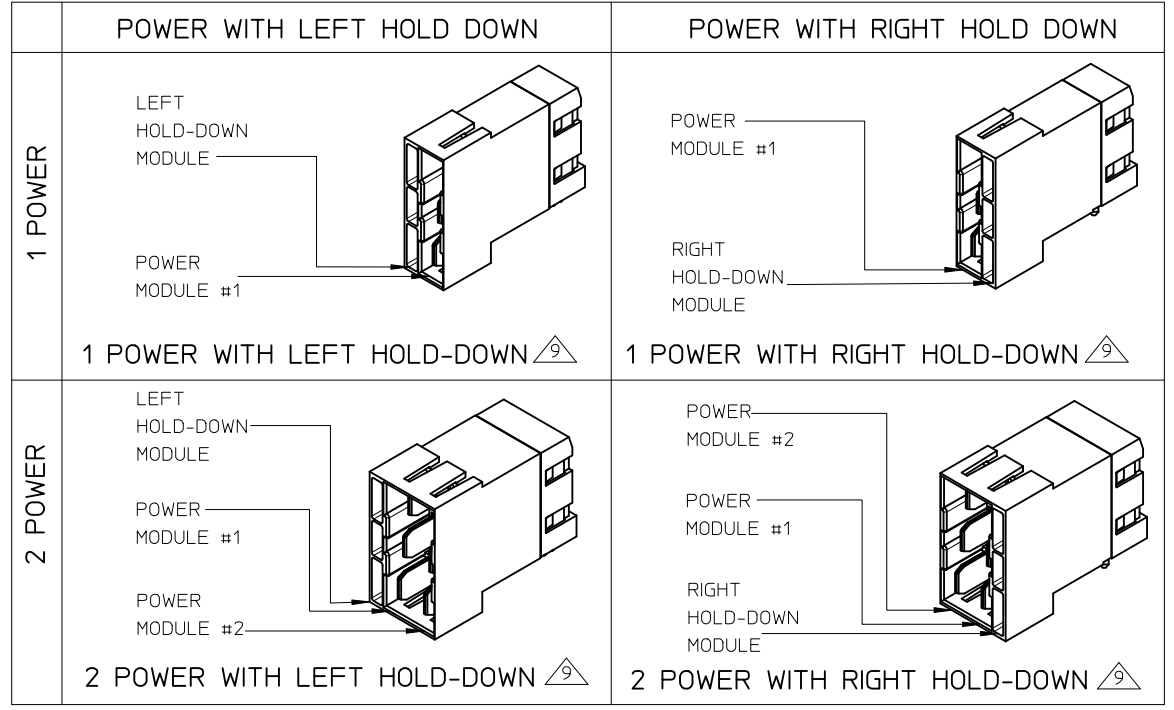
POWER MODULE 1			
*	BLADE LENGTH		
	P1	P2	P3
5	6.77	8.27	9.77

NOTES

- MATERIALS :  
HOUSING - HIGH TEMP. THERMOPLASTIC, GLASS FILLED, UL94-V0,COLOR:BLACK.  
POWER PIN - COPPER ALLOY
- FINISHES :  
POWER CONTACTS  
0.76µm MINIMUM GOLD AT CONTACT AREA AND  
2.54µm MINIMUM TIN AT SOLDERTAIL AREA OVER  
1.27µm MINIMUM NICKEL UNDERPLATE.
- PRODUCT SPECIFICATION: PS-78231-006.
- <sup>9</sup>COMPONENT STAY AWAY ZONE FROM CONNECTOR.
- <sup>5</sup>PCB NOTE FOR PLATED HOLE.

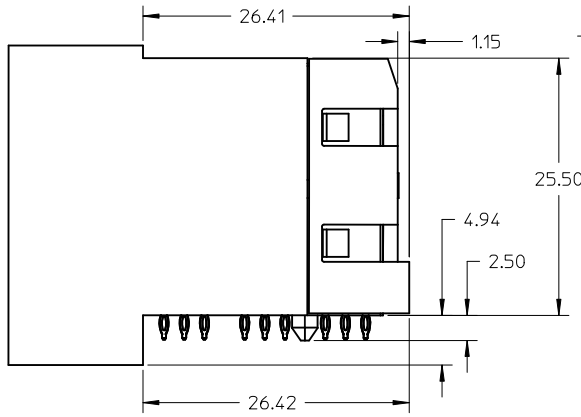
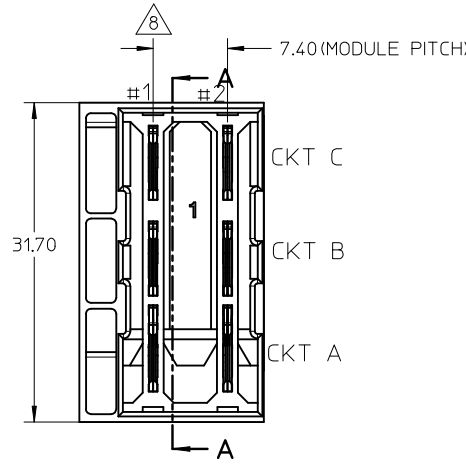
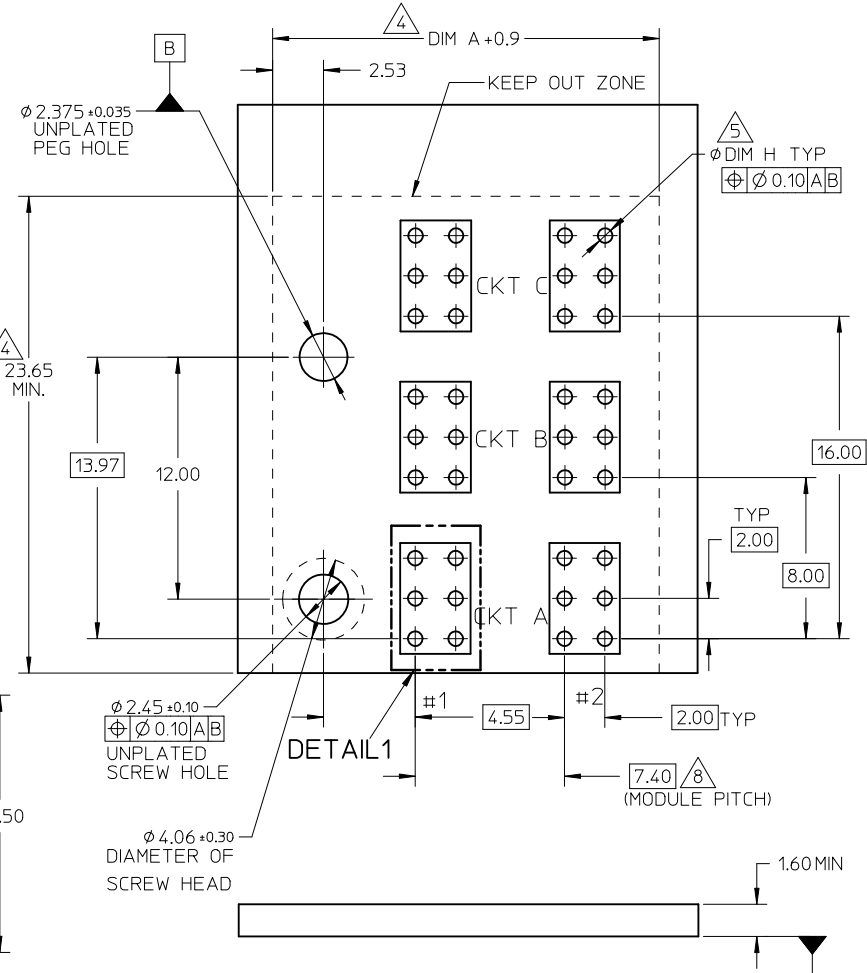
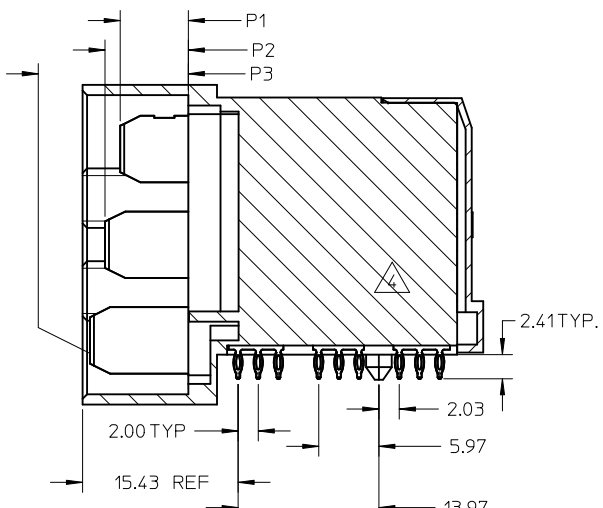
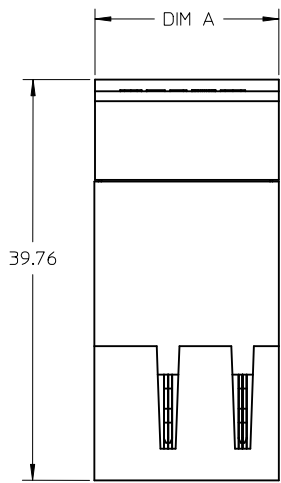
TYPE OF PLATED HOLE	DRILLED HOLE SIZE	PLATING THICKNESS	PLATED HOLE SIZE "ØDIM H"
TIN/TIN-LEAD	0.838	0.007 MIN TIN/TIN-LEAD/SILVER OVER 0.03 TO 0.08 COPPER PLATING	0.725±0.075
SILVER	0.863		0.750±0.050

- MATES WITH 78237-\*\*\*\*.
- <sup>9</sup>PART NUMBER AND YEAR-DAY CODE
- <sup>9</sup>ADD 7.40mm FOR EACH ADDITIONAL MODULE.
- <sup>9</sup>THE DETAILS FOR LEFT HOLD DOWN OPTION SHOWN ON SHEET2 AND RIGHT HOLD DOWN OPTION SHOWN ON SHEET 3.
- CONNECTORS ARE PACKED IN A TRAY.
- MODULE LOCATION IS FROM NEXT TO HOLD DOWN MODULE WITH STARTING MODULE AS "#1".
- BOTTOM AND TOP CIRCUITS ARE INDICATED AS "CKT A" AND "CKT B".
- ALL PARTS ARE SHIPPED WITH A 2-32 TYPE AB SELF-TAPPING SCREW PART NUMBER 73726-0005.
- PACKAGING PROCEDURE AS PER PK-78239-001.

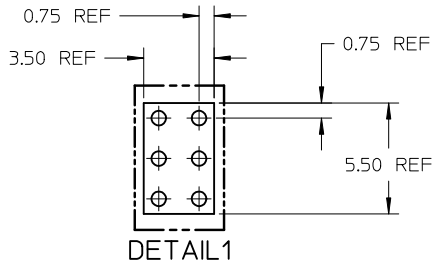


<b>CONSOLIDATE P/N</b> EC NO: S2012-0340 DRWN:SHONG 2011/10/31 CHKD:LING 2011/11/17 APPR:NAGESHKN 2011/12/02 DESCRIPTION	QUALITY SYMBOLS	GENERAL TOLERANCES (UNLESS SPECIFIED)	DIMENSION STYLE	SCALE	DESIGN UNITS	THIRD ANGLE PROJECTION	
	▽=0 ◻=0	mm INCH 4 PLACES ± --- ± --- 3 PLACES ± --- ± --- 2 PLACES ± 0.25 ± --- 1 PLACE ± --- ± --- ANGULAR ± 3 °	MM ONLY	NTS	METRIC		
			DRAWN BY SHONG DATE 2011/10/31	CHECKED BY LNG DATE 2011/11/17	TITLE		
			APPROVED BY NAGESHKN DATE 2011/12/02	I-TRAC POWER, 15 ROW HEADER WITH HOLD DOWN PRESS FIT, RIGHT ANGLE			
		DRAFT WHERE APPLICABLE MUST REMAIN WITHIN DIMENSIONS	SEE TABLE	MOLEX INCORPORATED			
			SIZE A3	DOCUMENT NO. SD-78684-001			
			THIS DRAWING CONTAINS INFORMATION THAT IS PROPRIETARY TO MOLEX INCORPORATED AND SHOULD NOT BE USED WITHOUT WRITTEN PERMISSION				
				SHEET NO. 1 OF 3			

LEFT HOLD DOWN OPTION



PCB LAYOUT HOLD DOWN LEFT  
(COMPONENT SIDE SHOWN)



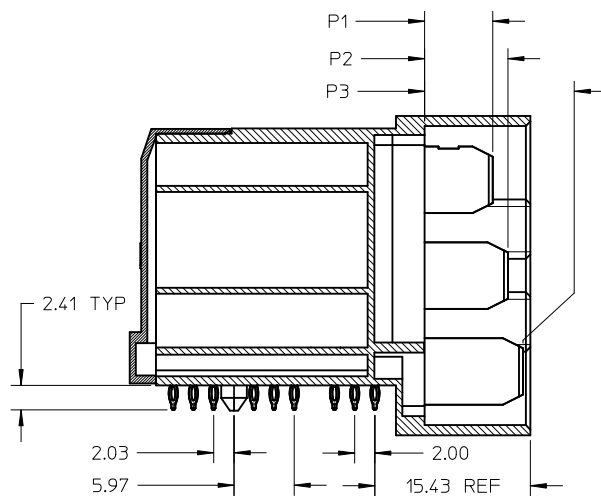
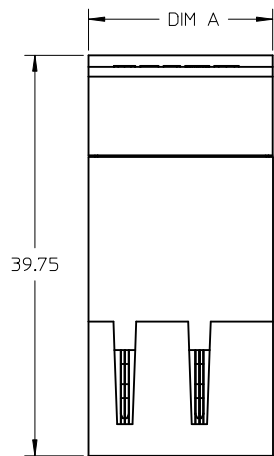
CONSOLIDATE P/N EC NO: S2012-0340 DRWN: SHONG CHKD: LNG APPR: NAGESHKN	2011/10/31	DESCRIPTION
	2011/11/17	
	2011/12/02	
	REV	

QUALITY SYMBOLS	▽=0
	∇=0

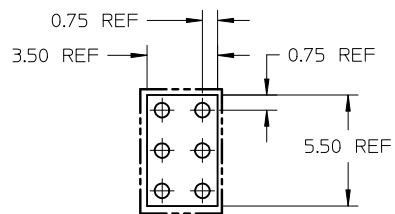
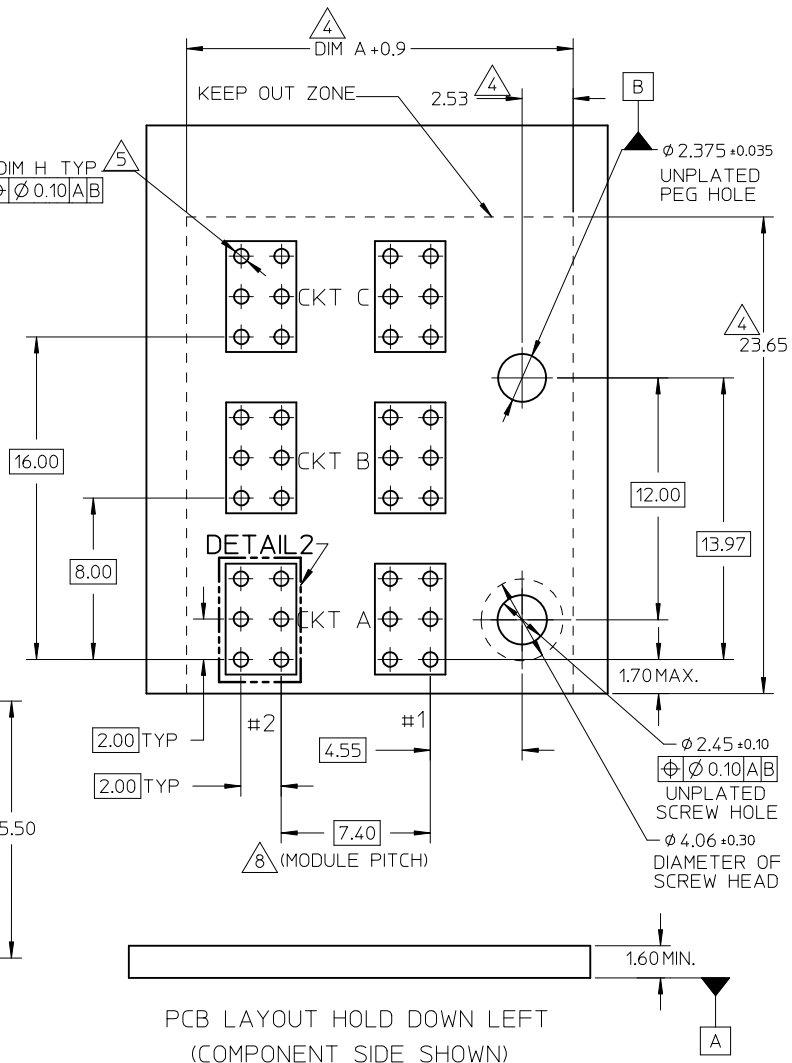
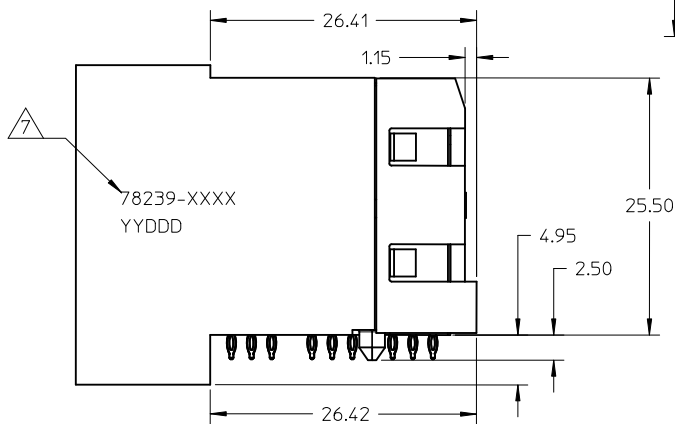
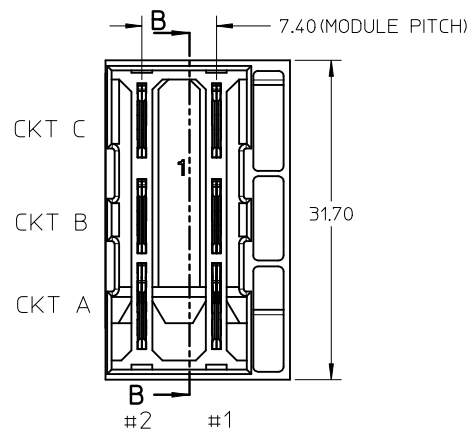
GENERAL TOLERANCES (UNLESS SPECIFIED)	mm	INCH	
	4 PLACES	± ---	± ---
	3 PLACES	± ---	± ---
	2 PLACES	± 0.25	± ---
	1 PLACE	± ---	± ---
ANGULAR ± 3 °			
DRAFT WHERE APPLICABLE MUST REMAIN WITHIN DIMENSIONS			

DIMENSION STYLE		SCALE	DESIGN UNITS	THIRD ANGLE PROJECTION
MM ONLY		NTS	METRIC	
DRAWN BY	DATE	TITLE		
SHONG	2011/10/31	I-TRAC POWER, 15 ROW HEADER WITH HOLD DOWN PRESS FIT, RIGHT ANGLE		
CHECKED BY	DATE	MOLEX INCORPORATED		
LNG	2011/11/17	DOCUMENT NO. SD-78684-001		
APPROVED BY	DATE	SHEET NO. 2 OF 3		
NAGESHKN	2011/12/02			
MATERIAL NO.		SEE TABLE		
SIZE A3		THIS DRAWING CONTAINS INFORMATION THAT IS PROPRIETARY TO MOLEX INCORPORATED AND SHOULD NOT BE USED WITHOUT WRITTEN PERMISSION		

RIGHT HOLD DOWN OPTION



SECTION B-B



DETAIL 2

COPPER PAD REFERENCE

CONSOLIDATE P/N EC NO: S2012-0340 DRWN: SHONG CHKD: LNG APPR: NAGESHK N	DESCRIPTION 2011/10/31 2011/11/17 2011/12/02	QUALITY SYMBOLS	GENERAL TOLERANCES (UNLESS SPECIFIED)	DIMENSION STYLE	SCALE	DESIGN UNITS	THIRD ANGLE PROJECTION
		▽=0 ∇=0	mm INCH	MM ONLY	NTS	METRIC	

4 PLACES	± ---	± ---
3 PLACES	± ---	± ---
2 PLACES	± 0.25	± ---
1 PLACE	± ---	± ---
ANGULAR ± 3 °		
DRAFT WHERE APPLICABLE MUST REMAIN WITHIN DIMENSIONS		

DRAWN BY	DATE	TITLE
SHONG	2011/10/31	I-TRAC POWER, 15 ROW HEADER WITH HOLD DOWN PRESS FIT, RIGHT ANGLE
CHECKED BY	DATE	
LNG	2011/11/17	
APPROVED BY	DATE	
NAGESHK N	2011/12/02	
MATERIAL NO.		
SIZE	THIS DRAWING CONTAINS INFORMATION THAT IS PROPRIETARY TO MOLEX INCORPORATED AND SHOULD NOT BE USED WITHOUT WRITTEN PERMISSION	
A3		

MOLEX	MOLEX INCORPORATED	SHEET NO.
	SD-78684-001	3 OF 3