



# Fortimo LED downlight module Twistable

Fortimo TDLM 1100 20W/827 230V

The Fortimo Twistable DLM offers luminaire manufacturers excellent value for money, as well as freedom of design thanks to its round shape and choice of color temperatures. The system comprises a module and a lamp holder. The driver is integrated into the module so there is no need to connect an additional LED driver. The lamp holder connects the module to the mains supply. The Fortimo Twistable modules are available in different lumen outputs in order to replace CFL (2x 18 W) and CFL (2 x 26 W) and are all dimmable. The module can be easily upgraded to incorporate more efficient modules and to change the color temperature.

## Product data

### • General Characteristics

Average Lifetime 25000 hr

### • Light Technical Characteristics

Color Code 827  
 Correlated Color Temperature 2700 K  
 Color rendering index 80  
 Luminous Efficacy Lamp 52 Lm/W  
 Color consistency 5 -  
 10000 hour Constant lumen output 1040

### • Electrical Characteristics

Wattage 20 W  
 Voltage 230 V  
 Line Frequency 47-63 Hz  
 Power Factor 0.9 -  
 Dimming range 100-10 %  
 Dimmable Yes

Total harmonic distortion <40%  
 System Power 20 W

### • Temperature Characteristics

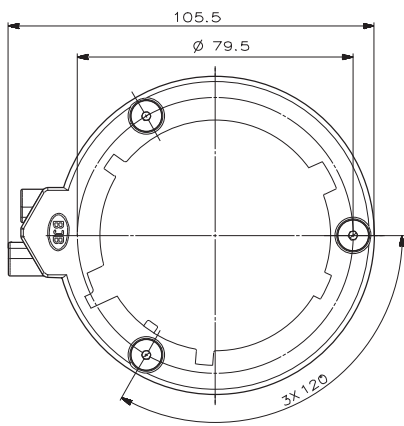
T-case maximum 65 (max) C

### • Product Data

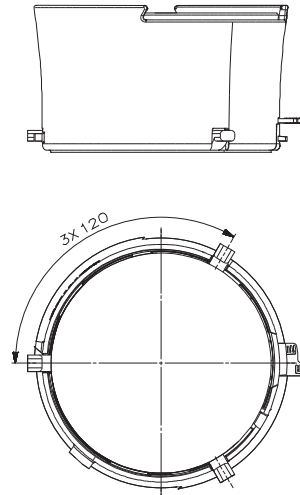
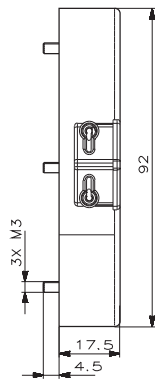
Order code 929000498903  
 Full product code 929000498903  
 Full product name Fortimo TDLM 1100 20W/827 230V  
 Order product name Fortimo TDLM 1100 20W/827 230V  
 Pieces per pack 1  
 Packing configuration 10  
 Packs per outerbox 10  
 Bar code on pack - EAN1 8718291546702  
 Bar code on outerbox - EAN3 8727900905366  
 Logistic code(s) - 12NC 929000498903  
 Net weight per piece 0.098 kg

# Fortimo LED downlight module Twistable

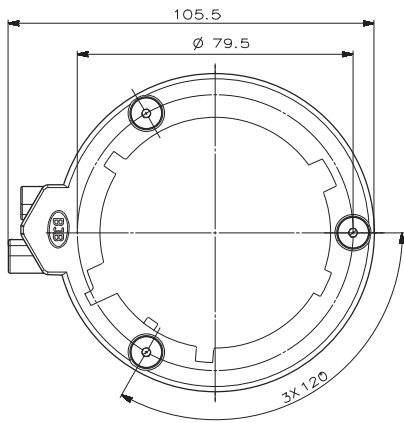
## Dimensional drawing



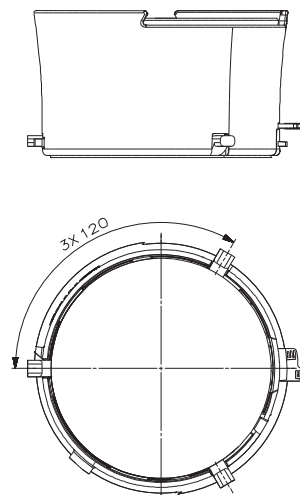
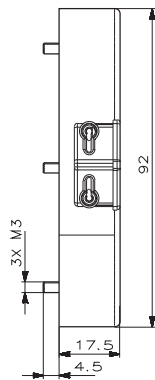
Fortimo LED TDLM lamp holder



Fortimo LED TDLM 1100 lm



Fortimo LED TDLM lamp holder



Fortimo LED TDLM 1100 lm



© 2012 Koninklijke Philips Electronics N.V.  
All rights reserved.

Specifications are subject to change without notice. Trademarks are the property of Koninklijke Philips Electronics N.V. or their respective owners.

[www.philips.com/lighting](http://www.philips.com/lighting)

2012, June 4  
data subject to change