

Xitanium/Fortimo LED Drivers indoor dimmable

Fortimo LED driver 1100-3000 TD

Xitanium and Fortimo LED drivers are specially designed to operate LED solutions for general lighting applications such as downlighting, spot/accent lighting and linear lighting. Flexibility in luminaire design is assured thanks to an adjustable output current (AOC) and, in most independent versions, a new modern 3-in-1 housing design. The adjustable output current enables operation of various LED configurations from different LED manufacturers, as well as ensuring the solution can accommodate new LED generations – making it “future-proof”. There are special dimmable versions which enable the use of lighting controls for further energy savings.

Product data

• General Characteristics

Input Frequency	50/60 Hz
Relative Humidity	95 %
IP Classification	20
Lifetime 90% surv.@Tcaselife	50000 hr
System Description	TD [Touch&DALI dimming]

• Operating Characteristics

12V output	Yes
Ripple current	20 %
Efficiency Range	80-90 %
Power Factor (100% load)	0.9 (min) -
Input Power max	46 W
Output Voltage Range	20-80 V
Output Current Range (mA)	200-700
Total Harmonic Distortion IEC	20 (max) %
Dimming range	100-10 %
Inrush Current Peak	48 (max) A
Inrush Current	180 us
Width to 50%	
Type of Dimming	Touch&DALI
Input Voltage Range (AC)	220-240 V
Max drivers on MCB(16A type-B)	12 (max) x

• Temperature Characteristics

T-case Lifetime	65 C
T-case maximum	65 (max) C

T-ambient	-20 (min), 50 (max) C
T-Storage	-40 (min), 85 (max) C

• Product Dimensions

Length A1	138 mm
Width B1	74 mm
Height C1	32 mm
Fixing Hole Diameter D1	4.5 mm
Fixing Hole Distance	63.6 mm
Width B2	
Fixing Hole Distance	128.5 mm
Length A2	

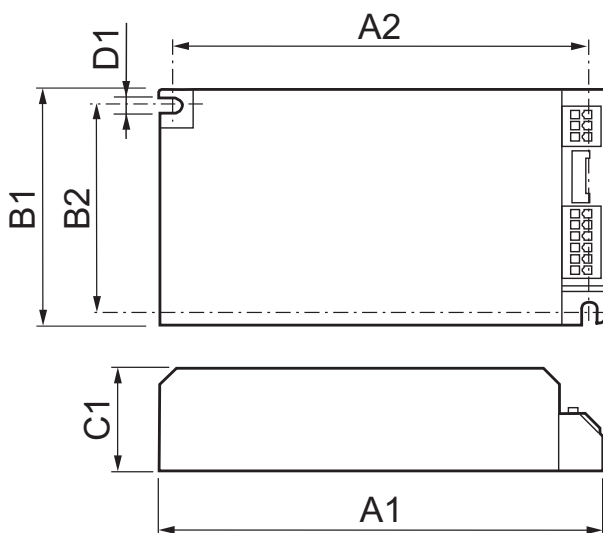
• Approval&Application Chars

Isolation classification	Class I
--------------------------	---------

• Product Data

Order code	929000465003
Full product code	929000465003
Full product name	Fortimo LED driver 1100-3000 TD
Order product name	Fortimo LED driver 1100-3000 TD
Pieces per pack	1
Packing configuration	6
Packs per outerbox	6
Bar code on pack - EAN1	8711500880574
Bar code on outerbox - EAN3	8727900842975
Logistic code(s) - 12NC	929000465003
Net weight per piece	0.307 kg

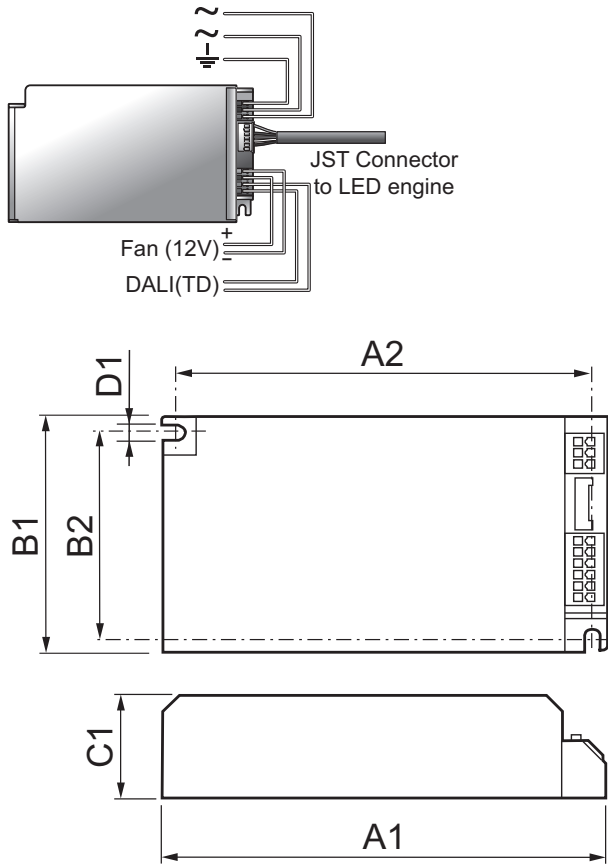
Dimensional drawing



Fortimo LED driver 1100-3000 & 1100-3000 TD

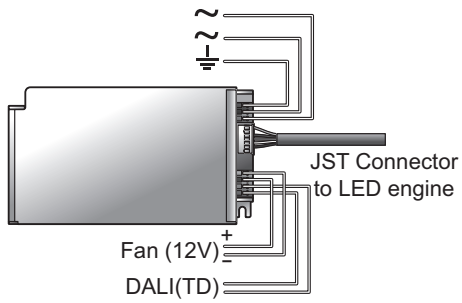
Product	A1 (Norm)	A2 (Norm)	A3 (Norm)	B1 (Norm)	B2 (Norm)	B3 (Norm)	C1 (Norm)	D1 (Norm)
Fortimo LED driver 1100-3000 TD	138	128.5	-	74	63.6	-	32	4.5

Dimensional drawing



LED DLM driver 50W/Food

Product	A1 (Norm)	A2 (Norm)	A3 (Norm)	B1 (Norm)	B2 (Norm)	B3 (Norm)	C1 (Norm)	D1 (Norm)
Fortimo LED driver 1100-3000 TD	138	128.5	-	74	63.6	-	32	4.5



© 2012 Koninklijke Philips Electronics N.V.
All rights reserved.

Specifications are subject to change without notice. Trademarks are the property of Koninklijke Philips Electronics N.V. or their respective owners.

www.philips.com/lighting

2012, April 16
data subject to change