



Fortimo LED spotlight module

Fortimo LED SLM 2000 26W/827 L19 G2

Good lighting plays a vital role in attracting shoppers into the store and getting them to stay. Designed into luminaires, the Fortimo Spot LED range of lamps and drivers enhances the attractiveness of all kinds of merchandise thanks to its high color rendering index, perfect red rendering and tighter color consistency. Fortimo Spot LED's long lifetime and excellent lumen maintenance eliminate the hassle of relamping, and with minimized heat and UV in the beam, the merchandise can be illuminated more closely. The system also enables significant energy savings compared to halogen, and reduced maintenance compared to metal halide.

Product data

• General Characteristics

Number of LEDs	16 x
Operating Position	Universal
Life to 70% lumen maintenance	50000 hr
Average lifetime 10% failure	50000 hr

• Light Technical Characteristics

Color Code	827
Color Designation (text)	Warm White
Correlated Color Temperature	2725 K
Luminous Flux	2000 Lm
Color rendering index	80
Color consistency initial	3

• Electrical Characteristics

Wattage	26 W
Dimmable	Yes
Power module	25.5 W

• Temperature Characteristics

T-case maximum	75 (max) C
----------------	------------

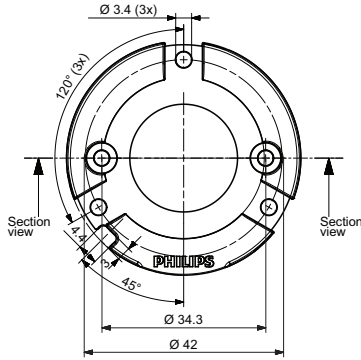
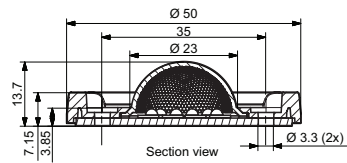
• Approval & Application Chars

CB compliance	Yes
CE marking	Yes
ENEC certificate	Yes
UL certificate	Yes
CSA certificate	Yes
TISI marking	No
RoHS compliance	Yes

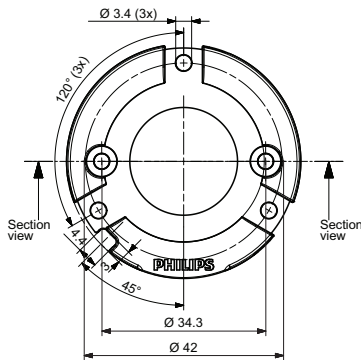
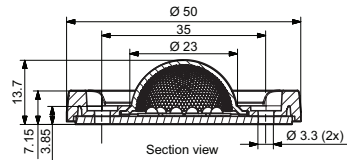
• Product Data

Order code	929000675403
Full product code	929000675403
Full product name	Fortimo LED SLM 2000 26W/827 L19 G2
Order product name	Fortimo LED SLM 2000 26W/827 L19 G2
Pieces per pack	1
Packing configuration	10
Packs per outerbox	10
Bar code on pack - EAN1	8718291186274
Bar code on outerbox - EAN3	8718291186281
Logistic code(s) - 12NC	929000675403
Net weight per piece	14.000 gr

Dimensional drawing



Fortimo LED SLM L19



Fortimo LED SLM L19



© 2012 Koninklijke Philips Electronics N.V.
All rights reserved.

Specifications are subject to change without notice. Trademarks are the property of Koninklijke Philips Electronics N.V. or their respective owners.

www.philips.com/lighting

2012, June 4
data subject to change