

4

3

2

1

THIS DRAWING IS UNPUBLISHED.

RELEASED FOR PUBLICATION

© COPYRIGHT - BY - ALL RIGHTS RESERVED.

LOC  
ES DIST  
00

REVISIONS

P	LTR	DESCRIPTION	DATE	DWN	APVD
	A	RELEASE ECR-11-022562	14NOV2011	T.Z	S.Y

SCALE 15:1

SCALE 15:1

REFERENCE VIEW FOR  
COMPONENT PLACEMENT





DETAIL A  
SCALE 50:1

SCALE 15:1

RECOMMENDED PWB LAY-OUT (±0.05)  
DASHED CIRCLES ARE THE LOCATION  
OF THE SPRING FINGER BOTTOM HOLES

1 PART NUMBER: 1551572-5 AS SHOWN.  
 2 MATERIAL: STAINLESS STEEL.  
 3 PLATING: 1,3um MIN. NICKEL UNDERLAYER ALL OVER  
 ZONE 1: 0,50um MIN. GOLD  
 ZONE 2: 0,05-0,3um GOLD FLASH  
 4 NORMAL FORCE: 0.6±0.2N AT THE NORMAL HEIGHT 1.2MM.  
 5 INDICATED SURFACE TO BE USED AS PICK AND PLACE SURFACE.

THIS DRAWING IS A CONTROLLED DOCUMENT.

DWN 06 July 2010  
Tony Zhang  
CHK 06 July 2010  
Xiang Xu  
APVD 06 July 2010  
Steven Yao

DIMENSIONS:  
mmTOLERANCES UNLESS  
OTHERWISE SPECIFIED:

0 PLC ±0.2  
 1 PLC ±0.1  
 2 PLC ±0.1  
 3 PLC ±0.05  
 4 PLC ±  
 ANGLES ±5°

MATERIAL

FINISH

PRODUCT SPEC  
108-115008

APPLICATION SPEC

WEIGHT

-

CUSTOMER DRAWING

NAME

STE  
TE Connectivity  
SPRING FINGER  
H=1,8

SIZE

CAGE CODE

DRAWING NO

RESTRICTED TO

A3

00779

C=1551572

SCALE 25:1

SHEET 1 OF 2

REV A

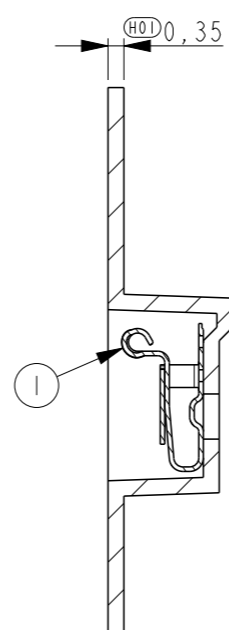
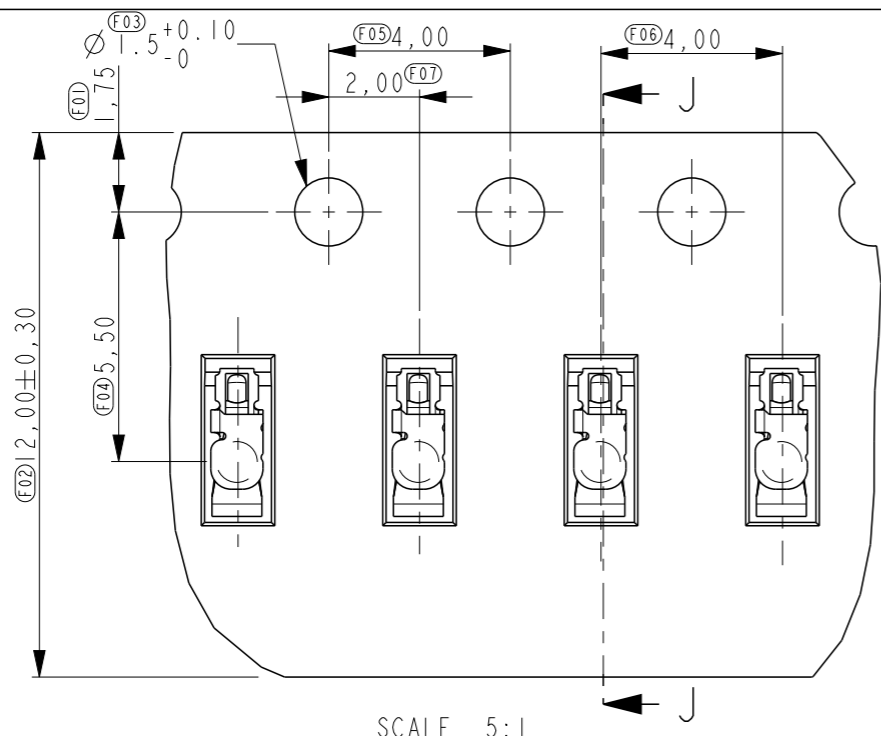
1470-19 (3/11)

THIS DRAWING IS UNPUBLISHED. RELEASED FOR PUBLICATION  
 © COPYRIGHT - BY - ALL RIGHTS RESERVED.

LOC ES DIST 00

REVISIONS

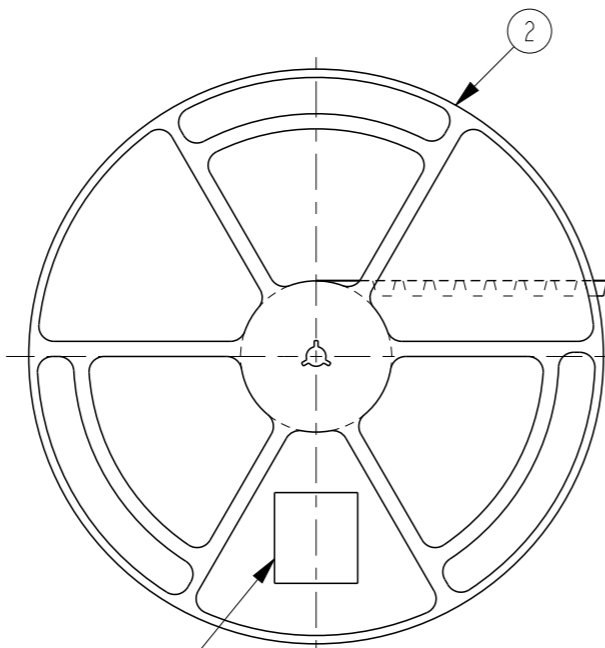
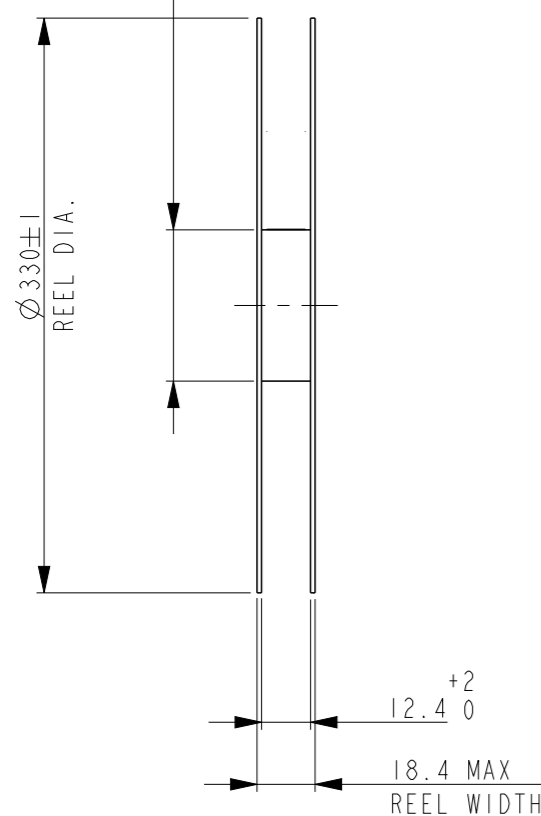
P	LTR	DESCRIPTION	DATE	DWN	APVD
-	-	SEE SHEET 1	-	-	-



SECTION J-J

FRANGE CORE DIA  
 Ø 100 ± 1

SCALE 5;1



165°-180°  
 PEELING ANGLE  
 0.1~1.3N(300mm/min)  
 PEELING STRENGTH

1000mm REF  
 WEEDING THE COVER TAPE.

1	LABEL	(5)
1	COVER TAPE	(4)
1	EMBOSS	(3)
1	PLASTIC REEL	(2)
6000	SPRING FINGER	(1)
QTY	DESCRIPTION	ITEM

300 REF WITHOUT CHARGE      WITH PRODUCT CHARGE 6000EA/REEL      WITHOUT CHARGE 100~125HOLES

PACKAGING REEL AS SHOWN

THIS DRAWING IS A CONTROLLED DOCUMENT.

DIMENSIONS:	TOLERANCES UNLESS OTHERWISE SPECIFIED:
mm	
0 PLC	±0.2
1 PLC	±0.1
2 PLC	±0.1
3 PLC	±0.05
4 PLC	±
ANGLES	±5°
MATERIAL	FINISH

DWN	
CHK	
APVD	
PRODUCT SPEC	
APPLICATION SPEC	
WEIGHT	
CUSTOMER DRAWING	

**STE** TE Connectivity

NAME				SPRING FINGER H=1,8	
SIZE	CAGE CODE	DRAWING NO	RESTRICTED TO		
A3	00779	C=1551572			
SCALE 25:1		SHEET 2 OF 2		REV A	