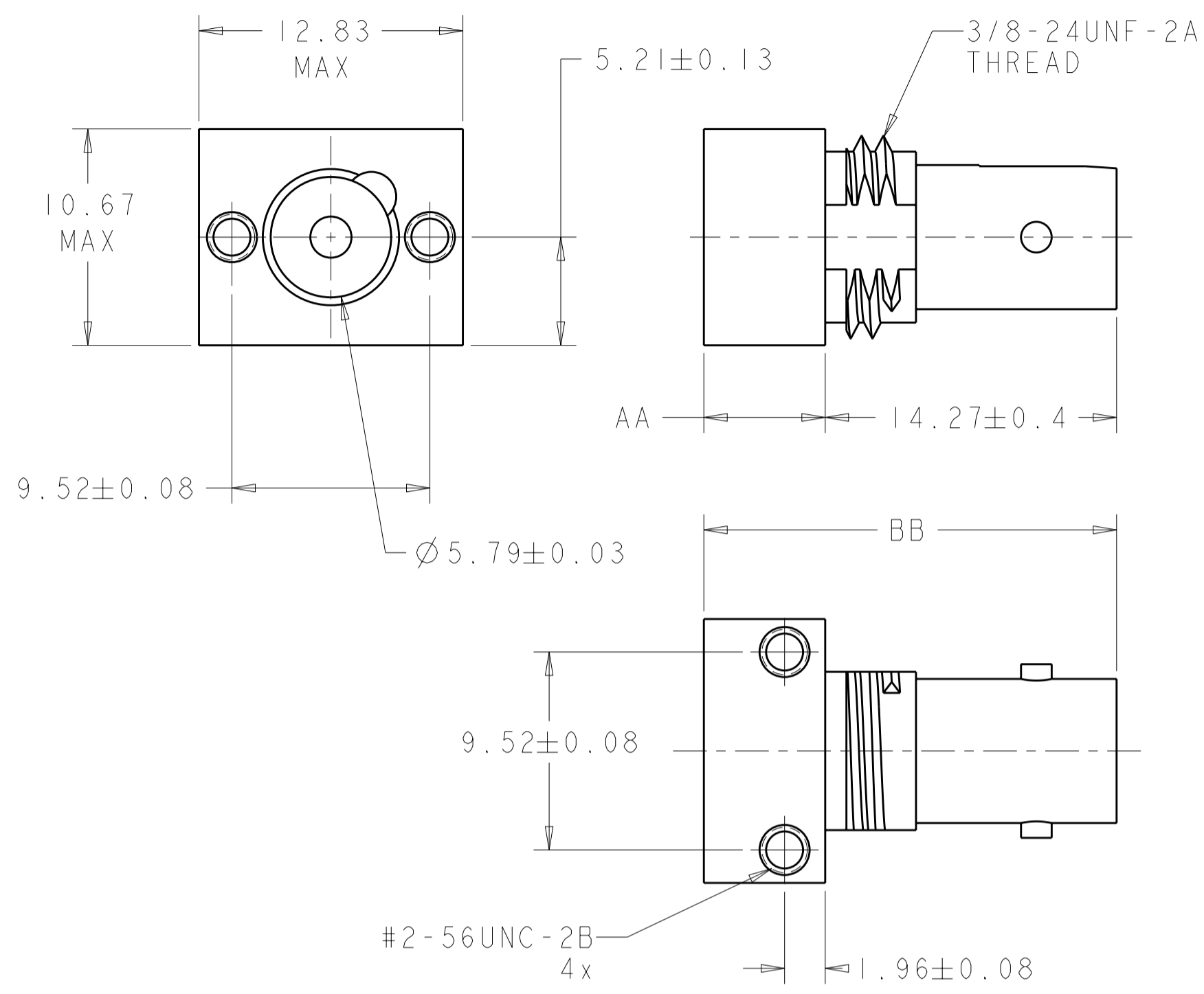


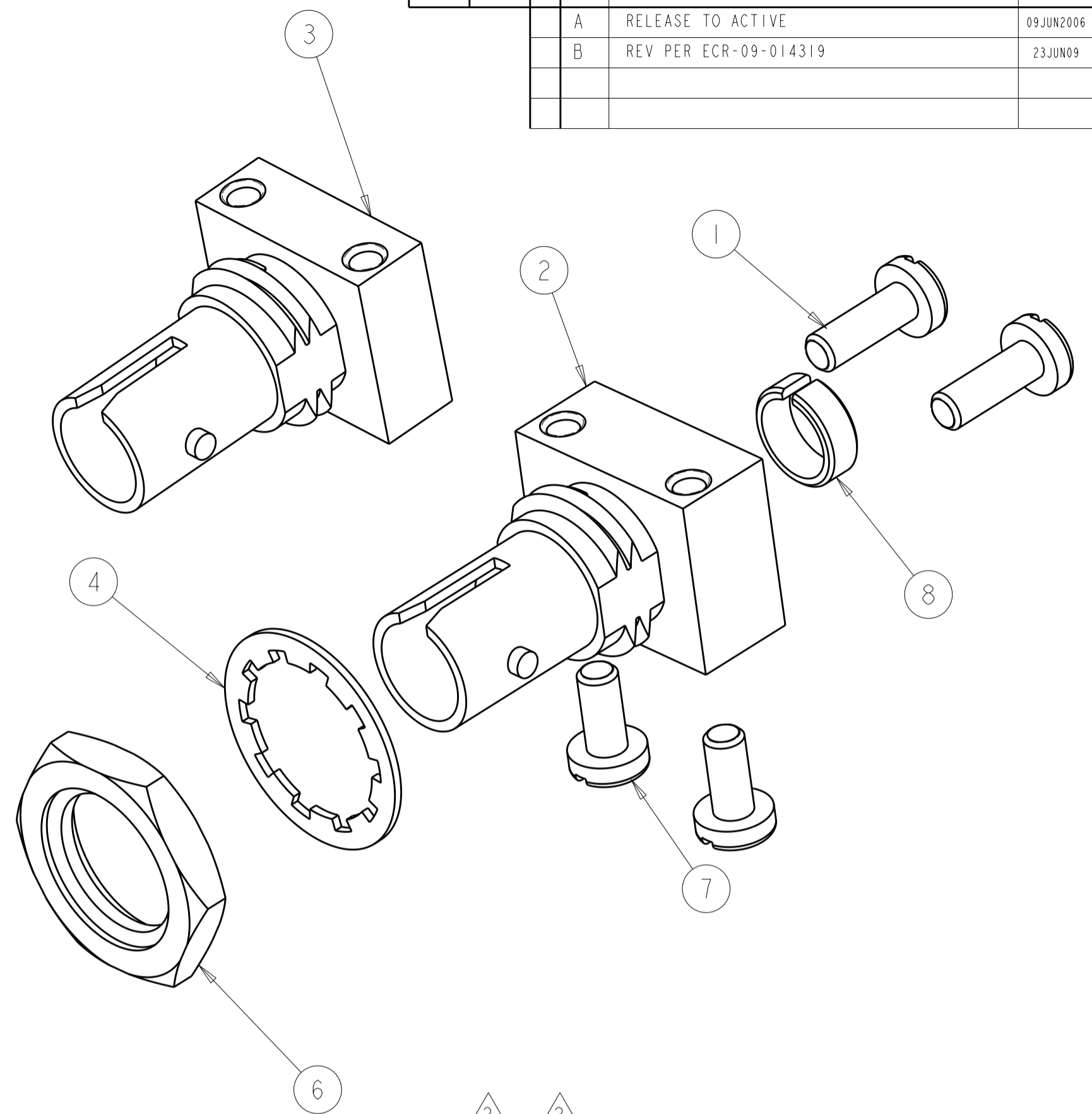
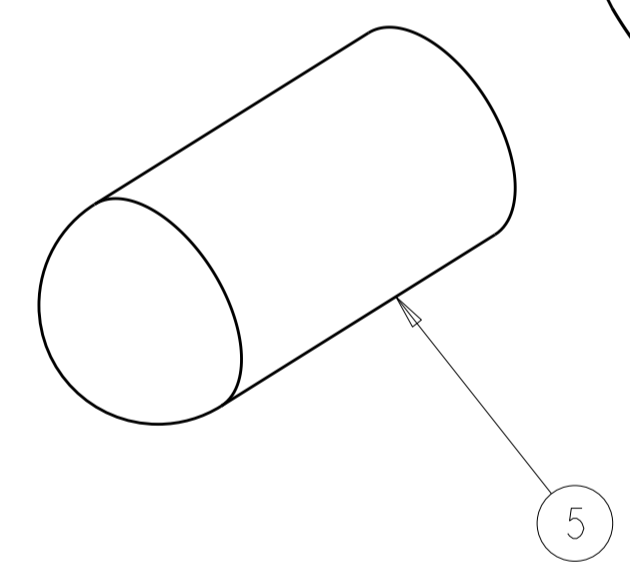
THIS DRAWING IS UNPUBLISHED. RELEASED FOR PUBLICATION 20
 © COPYRIGHT 20 BY TYCO ELECTRONICS CORPORATION. ALL RIGHTS RESERVED.

LOC	DIST	REVISIONS			
P	LTR	DESCRIPTION	DATE	DWN	APVD
CE	00	A	RELEASE TO ACTIVE	09JUN2006	BB SB
		B	REV PER ECR-09-014319	23JUN09	JZ SM



ACTIVE DEVICE MOUNT BODY

PART NAME	DIM AA	DIM BB
ADM BODY	5.97 MAX	20.1 REF
ADM BODY, LOW PROFILE	4.70 MAX	18.8 REF



QTY	QTY	QTY	DESCRIPTION	ITEM NO.
-	1	1	ALIGNMENT SLEEVE	8
-	2	2	#2-56UNC PAN HEAD SCREWS	7
-	1	1	HEX NUT	6
1	1	1	PROTECTIVE CAP	5
-	1	1	LOCKWASHER	4
1	-	-	ADM BODY, LOW PROFILE	3
-	1	1	ADM BODY	2
-	2	2	#2-56UNC PAN HEAD SCREWS	1
-3	-2	-1	PART NUMBER	ITEM NO.

1. ACCEPTS ACTIVE DEVICES, TO-52, TO-18, TO-46, OR LOW COST HONEYWELL SWEETSPOT.

2 BULK PACKAGED.

3 MATERIAL:
 ADM BODY: NICKEL PLATED ZINC
 PROTECTIVE CAP: PVC, COLOR: RED, NON-FR.
 ALIGNMENT SLEEVE: PBT, COLOR: BLACK, UL94 V-0 RATED QUALIFYING THICKNESS.
 LOCKWASHER: STAINLESS STEEL
 HEX NUT: NICKEL PLATED BRASS

THIS DRAWING IS A CONTROLLED DOCUMENT FOR TYCO ELECTRONICS CORPORATION IT IS SUBJECT TO CHANGE AND THE CONTROLLING ENGINEERING ORGANIZATION SHOULD BE CONTACTED FOR THE LATEST REVISION.		DWN B. BRIGGS 24OCT2005	Tyco Electronics Corporation Shanghai, China	
DIMENSIONS: mm		CHK S. BUCHTER 24OCT2005	NAME ACTIVE DEVICE MOUNT KIT, 2.5mm BAYONET, OPTIMATE	
TOLERANCES UNLESS OTHERWISE SPECIFIED: 0 PLC ± 1 PLC ± 2 PLC ± 3 PLC ± 4 PLC ± ANGLES ± FINISH		APVD S. BUCHTER 24OCT2005	SIZE CAGE CODE DRAWING NO RESTRICTED TO	
MATERIAL 3		PRODUCT SPEC	A200779C-5501474	
		APPLICATION SPEC	SCALE 5:1 SHEET 1 OF 1 REV B	
		WEIGHT	CUSTOMER DRAWING	