

## Explosion-safe Signal Tower Ø 60mm

with sealed cable

Model: AR-078 Series



Founded in 1947, Patlite has long been recognized as the Global leader in design, manufacture and application of visual and audible signaling. Development of these explosive environment products again demonstrates our strong commitment to serving industry with unique and innovative solutions.

The ingress protection degree of **IP65** allows the Signal Tower to be installed in damp, dusty factory and outdoor environments.

### [Description]

Explosion-safe Signal Tower featuring an LED light that is versatile and energy-efficient.

The vertical and horizontal cut lenses in combination with a double-reflection system enhances the LED light diffusion to create a unique, full and brilliant light.

The lenses and main body are made of strong synthetic materials with characteristics to withstand harsh environments.

The Signal Tower can be ordered in any combination from 1 to 5 LED units with any color combination. In addition to its "continuous lighting" condition, the Signal Tower can also be ordered with flashing / non-flashing functions, as well as with two super-loud alarm sounds with an 85dB (at 1m) output. The ingress protection when adding the buzzer feature will be reduced to IP54.

# PATLITE

New Frontiers in Safety, Security and Comfort.

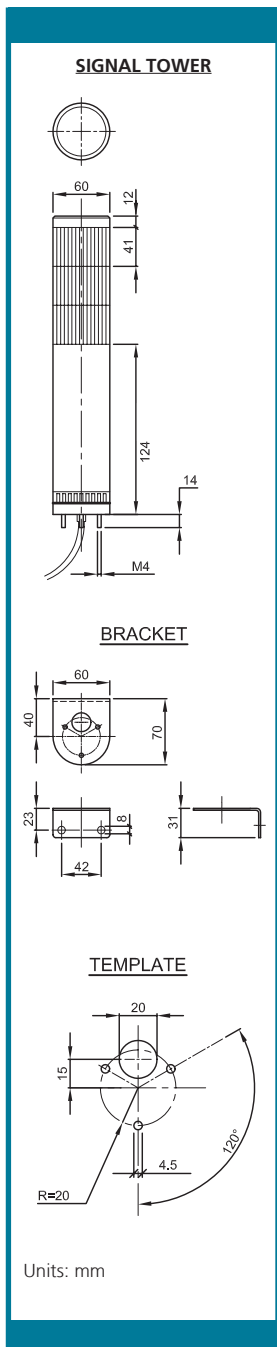


<http://www.patlite.com>

### [Features]

- Explosion-safe for gas and dust
- Suitable for Zone 2 and Zone 22
- CE compliance in accordance to ATEX
- Full and brilliant lumination
- LED double reflection lighting system
- Different lens colors available
- From 1 to 5 tiers
- Available with "flashing / non-flashing" and two audible buzzer alarm sounds
- Ingress protection of IP65 (IP54 with Buzzer)
- Wall mount or direct mount

## Dimensions



## Technical Data

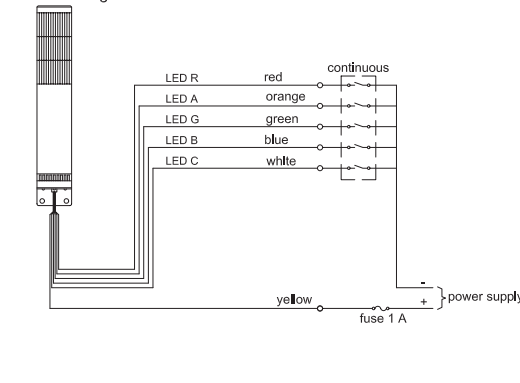
Explosion-safety:	CE $\text{Ex}$ II 3 GD; Ex nA II T4; Ex tD A22 IP65 T85°C
Applicable EU Directives:	94/9/EG (ATEX) and 89/336 (EMC)
CE Conformities:	EN 60079-0, EN 60079-15, EN 61241-0, EN 61241-1
Certification:	EC-Declaration of conformity
Ambient Temperature:	-20 °C to +40 °C
Ingress Protection:	IP65 (AR-078/011) or IP54 (AR-078/021) to EN 60529
Material:	ABS towerbody, polyester glassfibre reinforced base
Lighting Source:	Multiple LEDs with double reflection system
Acoustical Source:	Buzzer 85 dB (1m) with two different tones
Rated Voltage:	24 V AC/DC
Assembly position:	As desired
Activation Time:	100%
Module Colors Available:	Red, Amber, Green, Blue, Clear
Cable:	Factory sealed cable, $\varnothing$ 8 mm, length 1.5 meter

### CURRENT RATINGS

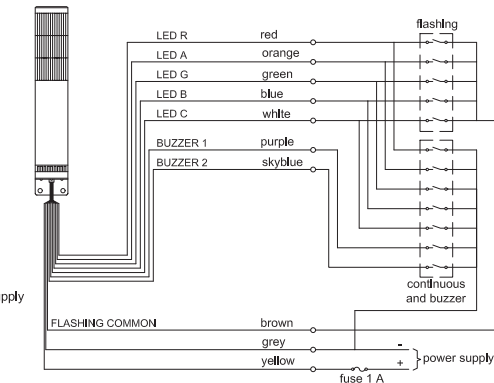
LED		Buzzer	
Signal Line Current		Signal Line Current	Inrush Current
Red, Amber	Green, Blue, Clear	approx. 40 mA	approx. 250 mA
approx. 52,5 mA	approx. 20 mA		

### CONNECTION DIAGRAMS

continuous light AC/DC 24V



continuous and flashing light with alarm AC/DC 24V



## Ordering Code

EXPLOSION-SAFE SIGNAL TOWER							
Version	Code	Voltage	Code	Nr of Stacks	Code	Colors *	Code
Continuous lighting (only)	1	24 V AC/DC	1	1 - 5	1	Red	R
Continuous / Flashing lighting and two Audible alarms	2				2	Amber	Y
		3	Green	G			
		4	Blue	B			
					5	Clear / white	C

→ Type number AR 078 - 0 1 / - RYGB C \* Colors are arranged from top to bottom

## PATLITE Corporation

International Division  
8-8, Matsuyamachi, Chuo-ku, Osaka, Japan 542-0067 TEL.+81-6-6763-8220 FAX.+81-6-6763-8221

**PATLITE (U.S.A.) Corporation**  
20130 S. Western Ave., Torrance, CA 90501, U.S.A TEL.+1-310-328-3222 FAX.+1-310-328-2676

**PATLITE Europe GmbH**  
Am Soeldnermoos 8, D-85399 Hallbergmoos, Germany TEL.+49-811 9981 9770-0 FAX.+49-811 9981 9770-9

**PATLITE (SINGAPORE) PTE LTD**  
No.2 Leng Kee Road, #05-01 Thye Hong Centre, Singapore 159086 TEL.+65-6226-1111 FAX.+65-6324-1411

**PATLITE (CHINA) Corporation**  
Room 512, Jufeng Business Building, No.687-3 Lingshi Road, Shanghai China 200072 TEL.+86-21-6630-8969 FAX.+86-21-6630-8938

**PATLITE KOREA CO., LTD.**  
202 Seokwang Bldg, 1361-9 Seocho-dong, Seocho-gu, Seoul, 137-863 Korea TEL.+82-2-523-6636 FAX.+82-2-523-6637