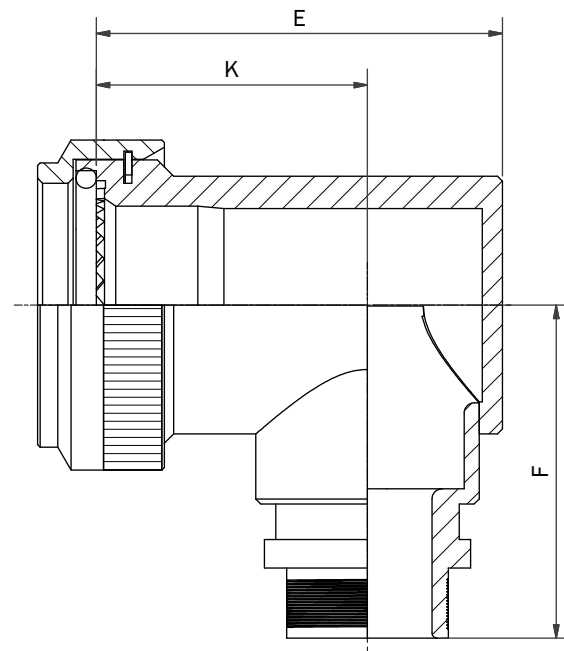
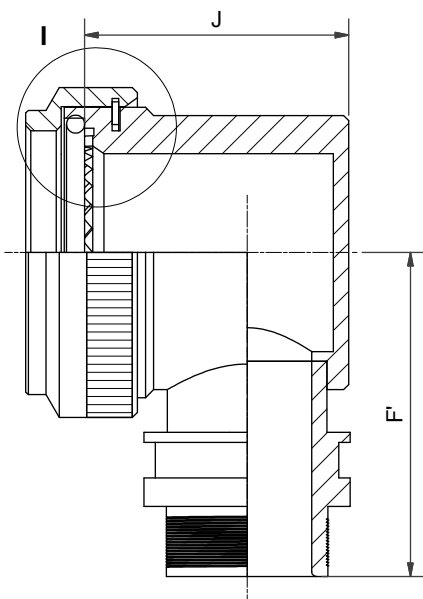
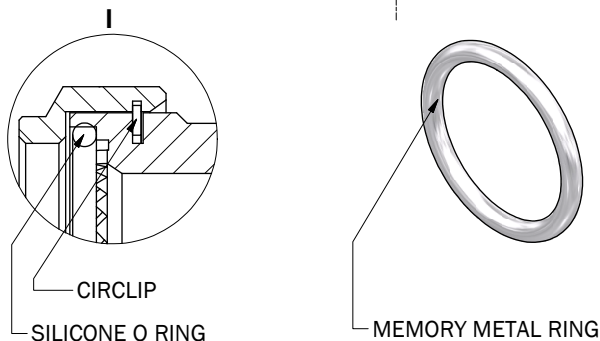


ANGLE 3
LOW PROFILE OPTION



ANGLE 3



| | | | |
|-------------|--|------|------------|
| DRAWN | J.CLARK | DATE | 07/09/2011 |
| SALES APPR | | | |
| DESIGN APPR | K.SHEPPARD | DATE | 14/12/2009 |
| QUAL APPR | | | |
| ISSUE | DCR | | |
| 6 | 4417 | | |
| WEIGHT | GENERAL TOL LINEAR +/-0.1MM ANGULAR +/- 1° | | |

3RD ANGLE PROJECTION
NOT TO SCALE

THIS DRAWING IS COPYRIGHT AND THE PROPERTY OF POLAMCO LTD. IT MUST NOT BE COPIED, USED FOR MANUFACTURE OR OTHERWISE DISCLOSED WITHOUT PRIOR WRITTEN CONSENT OF THE COMPANY.

 **POLAMCO** WESTON LOCK
LOWER BRISTOL ROAD
BATH BA2 1EP

PAGE 1 OF 2

UNLESS OTHERWISE SPECIFIED ALL DIMENSIONS IN MILLIMETRES

ASSY USED ON: MIL-DTL-38999 SERIES III & IV

TITLE:
MEMORY METAL RING ADAPTOR

MATERIAL
ALUMINIUM ALLOY
6262

NCAGE CODE U5792

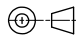

PART NUMBER:
60H SERIES

DRAWING NO:
P10745

| | |
|---------------------------------------|--|
| EXAMPLE PART NUMBER: 60H1-17-08-1-C-A | |
| 60 = | POLAMCO SERIES |
| H = | CONNECTOR INTERFACE (MIL-DTL-38999 SERIES III & IV) |
| 1 = | ANGLE - 1 = STRAIGHT 2 = 45° 3 = 90° |
| 17 = | SHELL SIZE (TABLE 1) |
| 08 = | ENTRY SIZE (TABLE 2) |
| 1 = | MATERIAL (ALUMINIUM ALLOY) |
| C = | PLATING: SEE PAGE |
| LP = | LOW PROFILE OPTION (90° ONLY) OMIT IF STANDARD REQUIRED |
| A = | RING OPTION: A - RING TO SUIT SINGLE BRAID, B - RING TO SUIT DOUBLE BRAID, OMIT IF NO RING IS REQUIRED |

| TABLE 1 | SHELL SIZE | A THREAD | B MAX | T MIN | C MAX | D MAX | E MAX | F MAX | K +/- 0,5 | J MAX | F' MAX | MAX ENTRY FOR LOW PROFILE OPTION |
|---------|------------|----------|-------|-------|-------|-------|-------|-------|-----------|-------|--------|----------------------------------|
| 09 | M12 x 1.0 | 18,0 | 6,7 | 13,1 | 26,8 | 25,7 | 26,4 | 17,5 | 18,0 | 27,4 | 04 | |
| 11 | M15 x 1.0 | 21,0 | 10,2 | 13,9 | 27,6 | 26,7 | 28,2 | 17,5 | 22,0 | 29,2 | 05 | |
| 13 | M18 x 1.0 | 24,5 | 13,5 | 14,5 | 28,0 | 31,2 | 29,7 | 20,0 | 22,0 | 30,7 | 06 | |
| 15 | M22 x 1.0 | 29,0 | 16,2 | 15,5 | 29,0 | 37,2 | 31,2 | 24,5 | 25,0 | 32,2 | 07 | |
| 17 | M25 x 1.0 | 32,5 | 19,4 | 16,1 | 29,8 | 40,2 | 32,9 | 26,7 | 27,0 | 33,9 | 08 | |
| 19 | M28 x 1.0 | 35,5 | 21,8 | 16,8 | 30,6 | 44,7 | 34,5 | 27,0 | 28,0 | 35,7 | 10 | |
| 21 | M31 x 1.0 | 37,0 | 25,1 | 17,1 | 30,9 | 49,2 | 36,1 | 30,5 | 29,0 | 37,1 | 10 | |
| 23 | M34 x 1.0 | 40,0 | 28,2 | 17,7 | 31,2 | 51,7 | 37,6 | 31,5 | 31,7 | 38,6 | 10 | |
| 25 | M37 x 1.0 | 43,5 | 31,4 | 18,4 | 32,1 | 53,2 | 39,1 | 28,5 | 31,7 | 40,1 | 10 | |

| TABLE 2 | ENTRY SIZE | G MIN | H MAX | M MAX |
|---------|------------|-------|-------|-------|
| 04 | 6,3 | 14,3 | 9,5 | |
| 05 | 7,9 | 15,8 | 11,1 | |
| 06 | 9,5 | 17,4 | 12,7 | |
| 07 | 11,1 | 19,0 | 14,3 | |
| 08 | 12,7 | 20,6 | 15,9 | |
| 10 | 15,8 | 23,8 | 19,0 | |
| 12 | 19,0 | 27,0 | 22,2 | |
| 14 | 22,2 | 30,1 | 25,4 | |
| 16 | 25,4 | 33,3 | 28,6 | |
| 18 | 28,5 | 36,5 | 31,8 | |
| 20 | 31,7 | 39,7 | 34,9 | |
| 22 | 34,9 | 42,8 | 38,1 | |
| 24 | 38,1 | 46,0 | 41,3 | |

| | | | | | | |
|----------------------------|--|--------------------|--|---|------------------------------|--|
| DRAWN SALES APPR | J.CLARK | DATE 07/09/2011 |  3RD ANGLE PROJECTION NOT TO SCALE |  POLAMCO WESTON LOCK LOWER BRISTOL ROAD BATH BA2 1EP | PAGE 2 OF 2 | UNLESS OTHERWISE SPECIFIED ALL DIMENSIONS IN MILLIMETRES |
| DESIGN APPR | K.SHEPPARD | 14/12/2009 | THIS DRAWING IS COPYRIGHT AND THE PROPERTY OF POLAMCO LTD IT MUST NOT BE COPIED, USED FOR MANUFACTURE OR OTHERWISE DISCLOSED WITHOUT PRIOR WRITTEN CONSENT OF THE COMPANY. | ASSY USED ON: MIL-DTL-38999 SERIES III & IV | | MATERIAL ALUMINIUM ALLOY 6262 |
| QUAL APPR | | | | TITLE: MEMORY METAL RING ADAPTOR | | |
| ISSUE 6 | DCR 4417 | | | PART NUMBER: 60H SERIES | | NCAGE CODE U5792 |
| WEIGHT | GENERAL TOL LINEAR +/-0.1MM ANGULAR +/- 1° | | | | DRAWING NO: P10745 | |