

PLEASE CHECK WWW.MOLEX.COM FOR LATEST PART INFORMATION

Part Number: [74540-0100](#)
Status: **Active**
Overview: [iPass™](#)
Description: PCIe Guide Frame, x8, for PCIe Add-In Cards, 1° Cage Angle, Without Key

Documents:

[3D Model](#) [RoHS Certificate of Compliance \(PDF\)](#)
[Drawing \(PDF\)](#)

General

Product Family	I/O Connectors
Series	74540
Application	Module-to-Board
Comments	For PCIe Add-In Cards 1° Cage Angle
Component Type	Guide
Overview	iPass™
Product Name	iPass™, Mini Multi-Lane, PCI Express*
Type	N/A

Physical

Boot Color	N/A
Circuits (Loaded)	N/A
Circuits (maximum)	0
Durability (mating cycles max)	250
Gender	N/A
Keying to Mating Part	None
Lock to Mating Part	Yes
Material - Plating Mating	n/a
Number of Rows	0
Orientation	Horizontal
PCB Locator	No
PCB Retention	Yes
PCB Thickness - Recommended	1.60mm, 2.38mm, 3.20mm
Packaging Type	Tray
Panel Mount	Yes
Pitch - Mating Interface	N/A
Polarized to Mating Part	Yes
Polarized to PCB	Yes
Ports	1
Surface Mount Compatible (SMC)	No
Temperature Range - Operating	-40°C to +80°C
Termination Interface: Style	N/A
Waterproof / Dustproof	Yes
Wire Insulation Diameter	N/A
Wire Size AWG	N/A

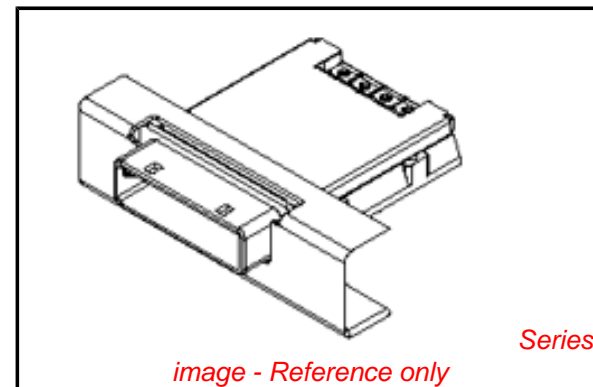
Electrical

Current - Maximum per Contact	N/A
Grounding to Panel	N/A
Shield Type	Full Shield
Shielded	Yes
Voltage - Maximum	300V AC (RMS)/DC

Material Info

Reference - Drawing Numbers

Sales Drawing [SD-74540-100](#), [SD-74540-101](#)



EU RoHS

**ELV and RoHS
Compliant**

REACH SVHC

Not Reviewed

Low-Halogen Status

Low-Halogen

China RoHS



**Need more information on product
environmental compliance?**

Email productcompliance@molex.com
 For a multiple part number RoHS Certificate of
 Compliance, [click here](#)

Please visit the [Contact Us](#) section for any
 non-product compliance questions.

Search Parts in this Series

[74540Series](#)

Mates With

[74546 iPass™ Cable Assembly](#)

This document was generated on 04/03/2012

PLEASE CHECK WWW.MOLEX.COM FOR LATEST PART INFORMATION