

5

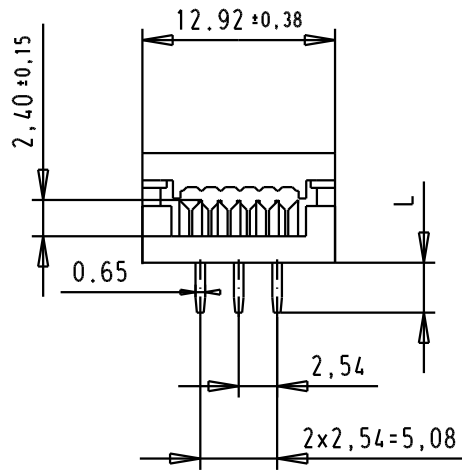
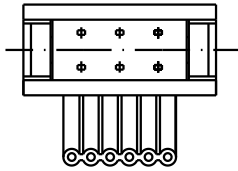
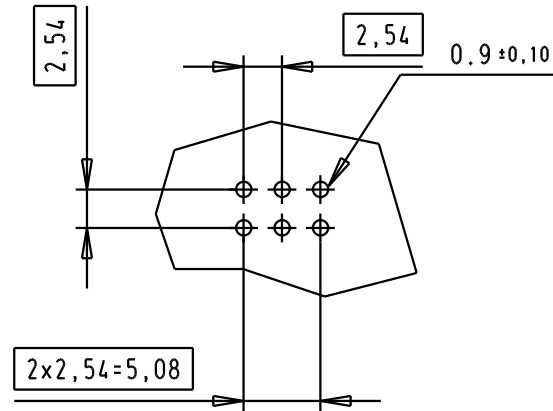
4

3

2

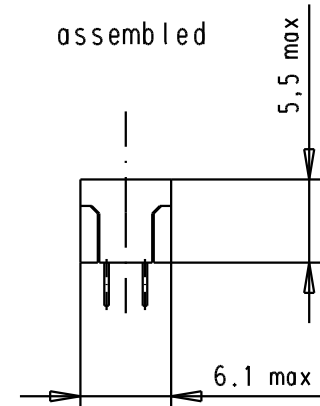
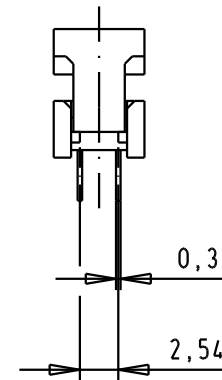
1

Printed board layout, component side



pre assembled

assembled



A

B

C

D

							SEK 18, P.C.B Transition 06 poles connector 2 rows - Low Profile	Maßstab/ Scale 2:1
			Detail.	02/04/04	JH			
			Insp.					
			Stand.					
09 18 106 9622.210	3,0 +0/-0,25	32840	20/06/05	JMDR	HARTING EURL F-95972 Paris		TB 0918 106 9622	Blatt/ Page 1 /
09 18 106 9622	3,3 ± 0,25	31884	02/04/04	JH				
Part Number	L	Mod.	Del.	Name				

09 18 106 9622.210	3,0 +0/-0,25
09 18 106 9622	3,3 ± 0,25
Part Number	L