

G4, Side Mount Pin LEDs



Features:

- Designed as an ideal replacement for Halogen G4 lamp
- Super bright SMD5050 LEDs as the light source
- Operating voltage range 10-30V
- No mercury
- No UV, IR or other deleterious radiation
- Consumes as low as 1.3W power
- Rated life up to 40,000hrs

Applications:

Marine
Automotive
Backlighting
Light source in fixtures

The side pin G4 LED replacement bulbs are designed for use in fixtures with small or recessed fixtures that use a side-mounted G4 sockets. Verify dimensions for adequate fit in fixture before ordering

Product Details:

Cool White

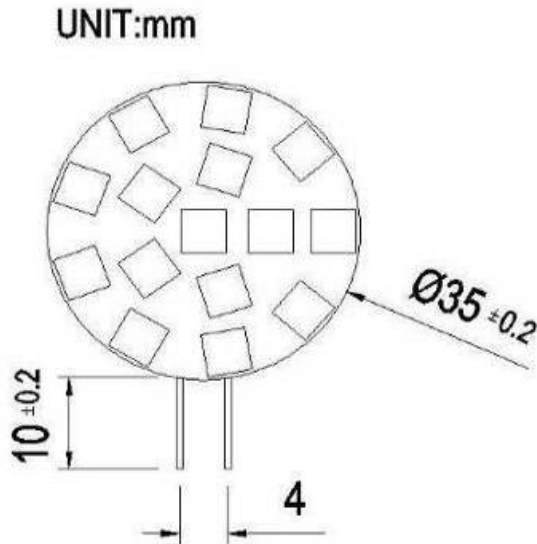
Fits Socket	: G4
Dimensions	: 35mm (Dia.)
Input Voltage	: 10V DC to 30V DC
Power (Watts)	: 1.8W
LED Emitting Colour	: Cool White
LED Type/Quantity	: 15 × SMD
Beam Angle	: 120°
Light Output (Lumens)	: 177 lumens

Warm White

Fits Socket	: G4
Dimensions	: 35mm (Dia.)
Input Voltage	: 10V DC to 30V DC
Power (Watts)	: 1.8W
LED Emitting Colour	: Warm White
LED Type/Quantity	: 15 × SMD
Beam Angle	: 120°
Light Output (Lumens)	: 157 Lumens

This G4 replacement LED lamp works in popular dome G4-based light fixtures. Choose warm white for interiors and cool white for exterior applications.

G4, Side Mount Pin LEDs



Part Number Table

Description	Base	CCT/Colour	Voltage	LED Q'ty	CRI (Ra)	Watts (Typ.)	Lumens (Typ.)	Part Number
G4, Side Pin Mount, 15 LEDs, SMD5050, Small PCB	G4	Cool White 6,000 - 7,000K	10V DC - 30V DC	15	-	1.8	177	MCG415BS30DSCW
		Warm White 2,800 - 3,200K			-		157	MCG415BS30DSWW

Important Notice : This data sheet and its contents (the "Information") belong to the members of the Premier Farnell group of companies (the "Group") or are licensed to it. No licence is granted for the use of it other than for information purposes in connection with the products to which it relates. No licence of any intellectual property rights is granted. The Information is subject to change without notice and replaces all data sheets previously supplied. The Information supplied is believed to be accurate but the Group assumes no responsibility for its accuracy or completeness, any error in or omission from it or for any use made of it. Users of this data sheet should check for themselves the Information and the suitability of the products for their purpose and not make any assumptions based on information included or omitted. Liability for loss or damage resulting from any reliance on the Information or use of it (including liability resulting from negligence or where the Group was aware of the possibility of such loss or damage arising) is excluded. This will not operate to limit or restrict the Group's liability for death or personal injury resulting from its negligence. Multicomp is the registered trademark of the Group. © Premier Farnell plc 2012.