

T10 Base, 15 LEDs

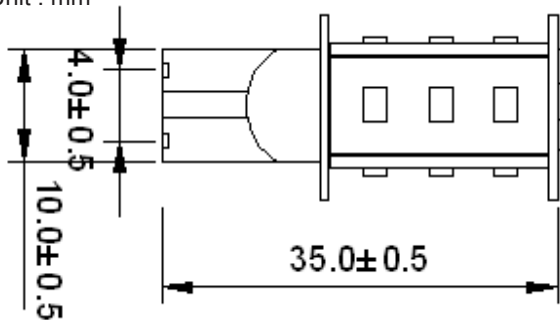


Features:

- Designed as a direct replacement for traditional T10 incandescent auto bulbs
- No UV, IR or other deleterious radiation. No deleterious material
- Low power consumption
- Long life up to 40,000 hours
- Excellent thermal performance
- When replacing bulbs behind a lens use the same colour bulb as the lens colour for best results, i.e., red lens use red bulb. Using a white LED behind a coloured lens will yield disappointing results

Lumen output equivalent to 12W incandescent bulb

Unit : mm



Part Number Table

Description	Base	CCT/Color	Voltage	LED Q'ty	CRI (Ra)	Watts (Typ.)	Lumens (Typ.)	Part Number
T10 Base, 15 LEDs	Wedge	Cool White 6,000 - 7,000K	10V DC - 16V DC	15	-	1.3	82	MCT1015SS12DCW
		Warm White 2,800 - 3,200K			-		89	MCT1015SS12DWW

Important Notice : This data sheet and its contents (the "Information") belong to the members of the Premier Farnell group of companies (the "Group") or are licensed to it. No licence is granted for the use of it other than for information purposes in connection with the products to which it relates. No licence of any intellectual property rights is granted. The Information is subject to change without notice and replaces all data sheets previously supplied. The Information supplied is believed to be accurate but the Group assumes no responsibility for its accuracy or completeness, any error in or omission from it or for any use made of it. Users of this data sheet should check for themselves the Information and the suitability of the products for their purpose and not make any assumptions based on information included or omitted. Liability for loss or damage resulting from any reliance on the Information or use of it (including liability resulting from negligence or where the Group was aware of the possibility of such loss or damage arising) is excluded. This will not operate to limit or restrict the Group's liability for death or personal injury resulting from its negligence. Multicomp is the registered trademark of the Group. © Premier Farnell plc 2012.