

PLEASE CHECK WWW.MOLEX.COM FOR LATEST PART INFORMATION

Part Number: [29-11-0063](#)
Status: **Active**
Overview: SPOX™
Description: 2.50mm Pitch SPOX™ Wire-to-Wire Plug Housing, Friction Lock, Optional Mounting Ears, 6 Circuits

Documents:

3D Model	Product Specification PS-51191-003 (PDF)
Drawing (PDF)	RoHS Certificate of Compliance (PDF)
Product Specification PS-5102-003 (PDF)	

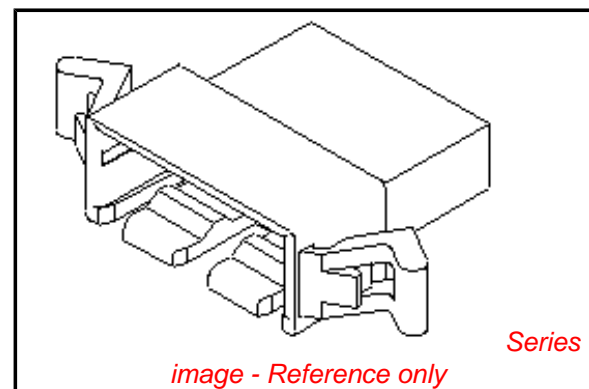


image - Reference only

Agency Certification

CSA	LR19980
TUV	R72090224
UL	E29179

General

Product Family	Crimp Housings
Series	5240
Application	Signal, Wire-to-Wire
Overview	SPOX™
Product Name	SPOX™

Physical


Circuits (maximum)	6
Flammability	94V-0
Gender	Male
Glow-Wire Compliant	No
Lock to Mating Part	Yes
Number of Rows	1
Packaging Type	Bag
Panel Mount	No, Yes
Pitch - Mating Interface	2.50mm
Stackable	No
Temperature Range - Operating	-40°C to +105°C

Material Info

Old Part Number	5240-061
UPC	800753585133

Reference - Drawing Numbers

Product Specification	PS-5102-003, PS-51191-003
Sales Drawing	SD-5240-N1

EU RoHS ELV and RoHS Compliant REACH SVHC Contains SVHC: No Low-Halogen Status Not Reviewed	China RoHS 
--	--

Need more information on product environmental compliance?

Email productcompliance@molex.com
 For a multiple part number RoHS Certificate of Compliance, [click here](#)

Please visit the [Contact Us](#) section for any non-product compliance questions.

Search Parts in this Series
5240Series

Mates With
51191 Housing

Use With
5241