

**PLEASE CHECK WWW.MOLEX.COM FOR LATEST PART INFORMATION**

**Part Number:** [53408-0579](#)  
**Status:** **Active**  
**Description:** 1.00mm Pitch Plug, Surface Mount, Dual Row, Vertical Stacking, 18.00mm Stack Height, Lead-Free, 50 Circuits

**Documents:**

[3D Model](#) [Packaging Specification SPK-53408-001 \(PDF\)](#)  
[Drawing \(PDF\)](#) [RoHS Certificate of Compliance \(PDF\)](#)  
[Product Specification PS-52584-003 \(PDF\)](#)

**General**

Product Family PCB Headers  
 Series [53408](#)  
 Application Board-to-Board, Signal  
 Product Name N/A

**Physical**

Breakaway No  
 Circuits (Loaded) 50  
 Circuits (maximum) 50  
 Color - Resin Natural  
 Durability (mating cycles max) 50  
 First Mate / Last Break No  
 Glow-Wire Compliant No  
 Guide to Mating Part No  
 Keying to Mating Part None  
 Lock to Mating Part None  
 Mated Height 18.00mm, 19.94mm  
 Material - Metal Phosphor Bronze  
 Material - Plating Mating Gold  
 Material - Plating Termination Tin  
 Material - Resin High Temperature Thermoplastic  
 Number of Rows 2  
 Orientation Vertical  
 PCB Locator Yes  
 PCB Retention Yes  
 PCB Thickness - Recommended 1.00mm  
 Packaging Type Tube  
 Pitch - Mating Interface 1.00mm  
 Plating min - Mating 0.254µm  
 Plating min - Termination 1.016µm  
 Polarized to PCB No  
 Shrouded Fully  
 Stackable No  
 Temperature Range - Operating -55°C to +85°C  
 Termination Interface: Style Surface Mount

**Electrical**

Current - Maximum per Contact 0.5A  
 Voltage - Maximum 100V

**Material Info**

UPC 822348189861

**Reference - Drawing Numbers**

Packaging Specification SPK-53408-001  
 Product Specification PS-52584-003, RPS-500017-002, RPS-52584-010

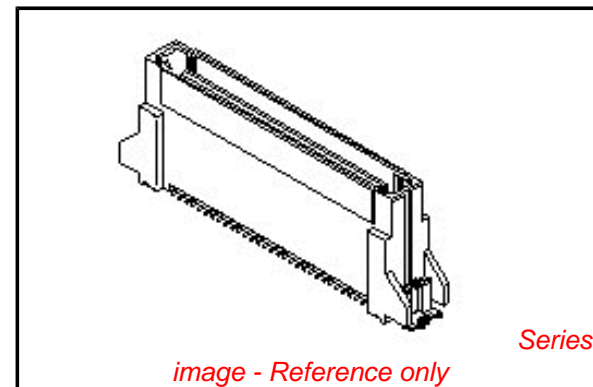


image - Reference only

**EU RoHS**

**ELV and RoHS Compliant**

**REACH SVHC**

**Contains SVHC: No**  
**Low-Halogen Status**  
**Not Reviewed**

**China RoHS**



**Need more information on product environmental compliance?**

Email [productcompliance@molex.com](mailto:productcompliance@molex.com)  
 For a multiple part number RoHS Certificate of Compliance, [click here](#)

Please visit the [Contact Us](#) section for any non-product compliance questions.

**Search Parts in this Series**

[53408Series](#)

**Mates With**

PCB Receptacle [52584](#) , [52602](#)

This document was generated on 06/28/2012

**PLEASE CHECK [WWW.MOLEX.COM](http://WWW.MOLEX.COM) FOR LATEST PART INFORMATION**