

PLEASE CHECK WWW.MOLEX.COM FOR LATEST PART INFORMATION

Part Number: **0553585038**
Status: **Active**
Description: 1.27mm (.050") Pitch CF Card Header- Right Angle, SMT Top Mounting for Type I and II Cards, Lead-free, Hard Tray Package

Documents:

[3D Model](#) [Application Specification AS-55358-001 \(PDF\)](#)
[Drawing \(PDF\)](#) [RoHS Certificate of Compliance \(PDF\)](#)
[Product Specification PS-55358-012 \(PDF\)](#)

General

Product Family	Memory Card Sockets
Series	55358
Comments	Hard Tray Package
Component Type	Header/Socket (Host)
Product Name	CompactFlash
Style	Guide and Holder
Type	I, II

Physical

Card Detection Switch	N/A
Circuits (Loaded)	50
Durability (mating cycles max)	10,000
Ejector Button	No
Ejector Button Side	N/A
Entry Angle	90° Angle (Side Entry)
Keying to Mating Part	Yes
Material - Metal	Phosphor Bronze
Material - Plating Mating	Gold
Material - Plating Termination	Tin
PCB Locator	Yes
PCB Mounting Side	Normal
PCB Retention	Yes
Packaging Type	Tray
Pitch - Mating Interface	1.27mm (.050")
Plating min - Mating	0.203µm (8µ")
Plating min - Termination	1.016µm (40µ")
Ports	1
Temperature Range - Operating	-20°C to +90°C
Termination Interface: Style	Through Hole

Electrical

Current - Maximum per Contact	0.5A
Voltage - Maximum	100V AC
Voltage Key	3.3V, 5.0V

Material Info

Reference - Drawing Numbers

Application Specification	AS-55358-001
Product Specification	PS-55358-012
Sales Drawing	SD-55358-015, SD-55358-016

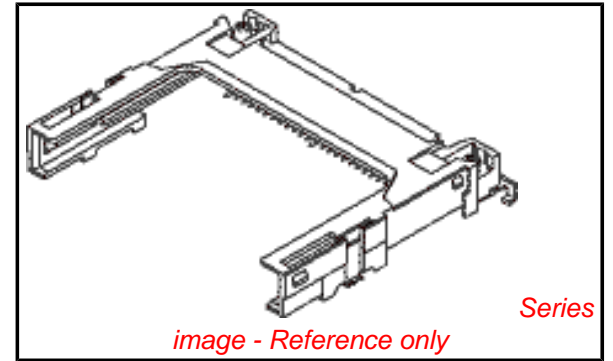


image - Reference only

EU RoHS

**ELV and RoHS
Compliant**

REACH SVHC

Contains SVHC: No

Low-Halogen Status

Low-Halogen

China RoHS



**Need more information on product
environmental compliance?**

Email productcompliance@molex.com
For a multiple part number RoHS Certificate of Compliance, [click here](#)

Please visit the [Contact Us](#) section for any non-product compliance questions.

Search Parts in this Series

55358Series

Mates With

67003 , 67114 , Industry Standard CF Card

Use With

55356 ejector, 55364 ejector