

PLEASE CHECK WWW.MOLEX.COM FOR LATEST PART INFORMATION

Part Number: [19043-0010](#)
Status: **Active**
Description: Three Way Connector, Dual Male, Single Female Quick Disconnect Adapter, 6.35 x 0.81mm Tab Size, Non-Plated

Documents:

[Drawing \(PDF\)](#) [Product Specification PS-19902-013 \(PDF\)](#)
[Product Specification PS-19902-011 \(PDF\)](#) [RoHS Certificate of Compliance \(PDF\)](#)

General

Product Family	Quick Disconnects
Series	19043
Crimp Quality Equipment	Yes
MolexKits	Yes
Product Name	Adapter
Type	Quick Disconnect

Physical

Barrel Type	N/A
Gender	Dual
Glow-Wire Compliant	No
Insulation	None
Lock to Mating Part	None
Orientation	Straight
Packaging Type	Bag
Tab Thickness	0.81mm
Tab Width	6.35mm
Termination Interface: Style	N/A
Wire Insulation Diameter	N/A
Wire Size AWG	N/A

Electrical

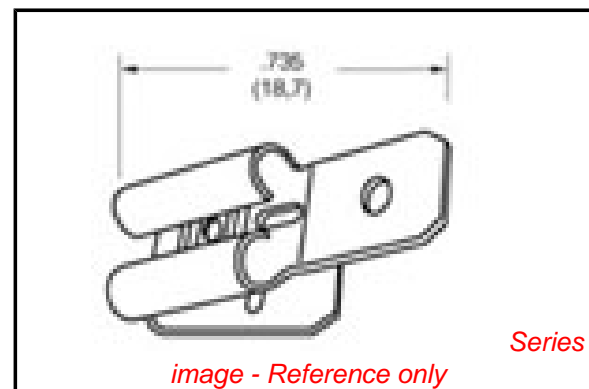
Voltage - Maximum	N/A
-------------------	-----

Material Info

Old Part Number	VWA-0
-----------------	-------

Reference - Drawing Numbers

Product Specification	PS-19902-011, PS-19902-013
Sales Drawing	SD-19043-003



EU RoHS

ELV and RoHS Compliant
REACH SVHC
Contains SVHC: No
Low-Halogen Status
Low-Halogen

China RoHS



Need more information on product environmental compliance?

Email productcompliance@molex.com
 For a multiple part number RoHS Certificate of Compliance, [click here](#)

Please visit the [Contact Us](#) section for any non-product compliance questions.

Search Parts in this Series
 19043Series