

**PLEASE CHECK WWW.MOLEX.COM FOR LATEST PART INFORMATION**

**Part Number:** [35454-8702](#)  
**Status:** **Active**  
**Description:** 3.18mm Diameter MagKrimp™ Pin Cluster Block Connector Terminal, Wire Range CMA 400-1600

**Documents:**

[Drawing \(PDF\)](#) [Packaging Specification PK-35454-001 \(PDF\)](#)  
[Product Specification PS-35548-001 \(PDF\)](#) [RoHS Certificate of Compliance \(PDF\)](#)

**General**

Product Family	Crimp Terminals
Series	<a href="#">35454</a>
Application	Power
Crimp Quality Equipment	Yes
Product Name	MagKrimp™(Magnet Wire)

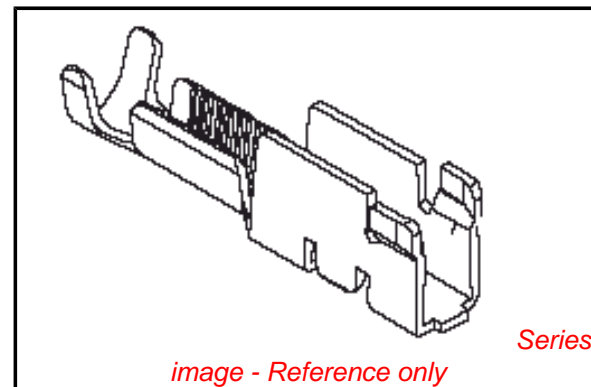
**Physical**

Durability (mating cycles max)	30
Gender	Female
Material - Metal	Phosphor Bronze
Material - Plating Mating	Tin
Packaging Type	Reel
Termination Interface: Style	Crimp or Compression
Wire Insulation Diameter	0.50-1.00mm
Wire Size AWG	N/A
Wire Size mm²	N/A

**Material Info**

**Reference - Drawing Numbers**

Packaging Specification	PK-35454-001
Product Specification	PS-35548-001
Sales Drawing	SD-35454-001



*image - Reference only*

**EU RoHS**

**ELV and RoHS  
Compliant**

**REACH SVHC**

Not Reviewed

**Low-Halogen Status**

**Low-Halogen**

**China RoHS**



**Need more information on product  
environmental compliance?**

Email [productcompliance@molex.com](mailto:productcompliance@molex.com)  
 For a multiple part number RoHS Certificate of Compliance, [click here](#)

Please visit the [Contact Us](#) section for any non-product compliance questions.

**Search Parts in this Series**

[35454Series](#)

**Use With**

[35548 Housing](#)