

PLEASE CHECK WWW.MOLEX.COM FOR LATEST PART INFORMATION

Part Number: [74029-6000](#)
Status: **Active**
Overview: VHDM® Backplane Connector Systems
Description: 2.00mm Pitch VHDM® Board-to-Board Backplane Receptacle Power Module, Vertical, 6-Row, 2 Circuits, Gold (Au) Selective 0.76µm

Documents:

[3D Model](#) [Product Specification PS-74031-999 \(PDF\)](#)
[Drawing \(PDF\)](#) [RoHS Certificate of Compliance \(PDF\)](#)

Agency Certification

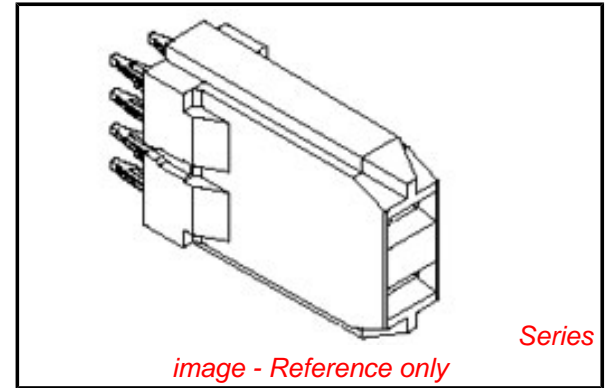
CSA LR19980
 UL E29179

General

Product Family Backplane Connectors
 Series [74029](#)
 Application Backplane
 Application Tooling Documents TM-622010999
 Comments Backplane Receptacle Module, Power
 Component Type Power Receptacle
 Overview [VHDM® Backplane Connector Systems](#)
 Product Name VHDM®
 Style N/A

Physical

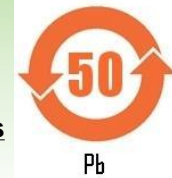
Circuits (Loaded) 2
 Circuits (maximum) 2
 Color - Resin Black
 Durability (mating cycles max) 200
 First Mate / Last Break No
 Flammability 94V-0
 Guide to Mating Part No
 Keying to Mating Part None
 Material - Metal High Performance Alloy (HPA)
 Material - Plating Mating Gold
 Material - Plating Termination Tin-Lead
 Material - Resin High Temperature Thermoplastic
 Number of Columns N/A
 Number of Pairs Open Pin Field
 Number of Rows 6
 Orientation Vertical
 PC Tail Length 2.80mm
 PCB Locator No
 PCB Retention None
 PCB Thickness - Recommended 1.80mm
 Packaging Type Tube
 Pitch - Mating Interface 2.00mm
 Pitch - Termination Interface 4.00mm
 Plating min - Mating 0.762µm
 Plating min - Termination 0.381µm
 Polarized to PCB Yes
 Stackable No
 Surface Mount Compatible (SMC) Yes
 Temperature Range - Operating -55°C to +105°C
 Termination Interface: Style Through Hole - Compliant Pin



EU RoHS

RoHS Compliant by Exemption
REACH SVHC
Contains SVHC: No
Low-Halogen Status
Not Reviewed

China RoHS



Need more information on product environmental compliance?

Email productcompliance@molex.com
 For a multiple part number RoHS Certificate of Compliance, [click here](#)

Please visit the [Contact Us](#) section for any non-product compliance questions.

Search Parts in this Series

[74029Series](#)

Mates With

[74026 VHDM® Board-to-Board Daughtercard Receptacle](#)

Application Tooling | FAQ

Tooling specifications and manuals are found by selecting the products below. Crimp Height Specifications are then contained in the Application Tooling Specification document.

Global

Description	Product #
Backplane 6 and 8-Row Power Module Insertion Tool	0622020211

Electrical

Current - Maximum per Contact	10A
Data Rate	2.5 Gbps
Real Signals (per 25mm)	72
Shielded	No
Voltage - Maximum	250V

Material Info

UPC	800754771696
-----	--------------

Reference - Drawing Numbers

Product Specification	PS-74031-999
Sales Drawing	SD-74029-006, SD-74029-011

VHDM and Very High Density Metric are trademarks of Amphenol Corporation

This document was generated on 06/22/2012

PLEASE CHECK WWW.MOLEX.COM FOR LATEST PART INFORMATION