

PLEASE CHECK WWW.MOLEX.COM FOR LATEST PART INFORMATION

Part Number: [19002-0014](#)
Status: **Active**
Description: Avikrimp™ Fully Insulated Quick Disconnect, Female, for 18-22 AWG Wire, Mylar Tape

Documents:

[Drawing \(PDF\)](#) [Product Specification PS-19902-015 \(PDF\)](#)
[Product Specification PS-19902-011 \(PDF\)](#) [RoHS Certificate of Compliance \(PDF\)](#)
[Product Specification PS-19902-014 \(PDF\)](#)

Agency Certification

CSA LR18689
TUV R72090224
UL E79133

General

Product Family Quick Disconnects
Series [19002](#)
Crimp Quality Equipment Yes
Product Name Avikrimp™
Type Quick Disconnect

Physical

Barrel Type Closed
Flammability 94V-2
Gender Female
Glow-Wire Compliant No
Insulation Nylon (PA)
Lock to Mating Part None
Material - Metal Brass
Material - Plating Mating Tin
Material - Plating Termination Tin
Orientation Straight
Packaging Type Adhesive Tape on Reel
Plating min - Mating 4.064µm
Plating min - Termination 4.064µm
Polarized to Mating Part No
Tab Thickness 0.51mm
Tab Width 2.79mm
Temperature Range - Operating -65°C to +105°C
Termination Interface: Style Crimp or Compression
Wire Insulation Diameter 3.17mm max.
Wire Size AWG 18, 20, 22
Wire Size mm² 0.35 - 0.80

Electrical

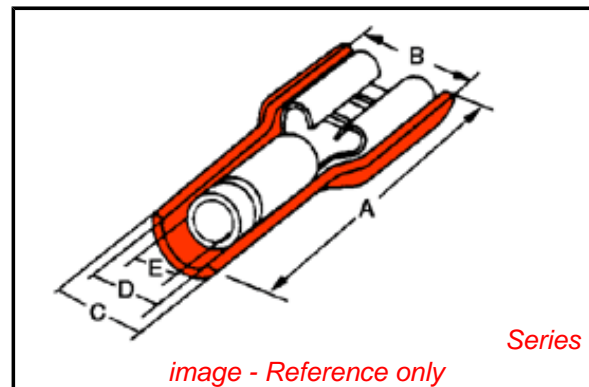
Voltage - Maximum 300V

Material Info

Old Part Number AA-5275T
UPC 800753027114

Reference - Drawing Numbers

Product Specification PS-19902-011, PS-19902-014, PS-19902-015
Sales Drawing SD-19002-003



EU RoHS

ELV and RoHS Compliant
REACH SVHC Contains SVHC: No
Low-Halogen Status Not Reviewed

China RoHS



Need more information on product environmental compliance?

Email productcompliance@molex.com
For a multiple part number RoHS Certificate of Compliance, [click here](#)

Please visit the [Contact Us](#) section for any non-product compliance questions.

Search Parts in this Series

19002Series

Application Tooling | FAQ

Tooling specifications and manuals are found by selecting the products below. Crimp Height Specifications are then contained in the Application Tooling Specification document.

Global

Description	Product #
Mini-Mac™ Applicator	0638852000
ATP Perishable Tool Kit Used in ATP Presses that Process Product on Tape	0192880028

This document was generated on 06/22/2012

PLEASE CHECK WWW.MOLEX.COM FOR LATEST PART INFORMATION