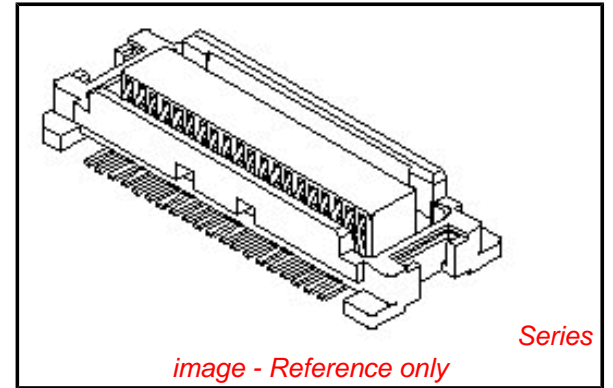


PLEASE CHECK WWW.MOLEX.COM FOR LATEST PART INFORMATION

Part Number: [52991-0808](#)
Status: **Active**
Overview: SlimStack™ 0.50mm Pitch
Description: 0.50mm Pitch SlimStack™ Receptacle, Surface Mount, Dual Row, Vertical, 3.00 and 4.00mm Stacking Heights, Lower Circuit Size Version, White, 80 Circuits

Documents:

| | |
|--|---|
| 3D Model | Product Specification PS-54167-002 (PDF) |
| Drawing (PDF) | Packaging Specification SPK-52991-001 (PDF) |
| Product Specification PS-52991-003 (PDF) | RoHS Certificate of Compliance (PDF) |



General

| | |
|----------------|---|
| Product Family | PCB Receptacles |
| Series | 52991 |
| Application | Board-to-Board, Signal |
| Overview | SlimStack™ 0.50mm Pitch |
| Product Name | SlimStack™ |

Physical

| | |
|--------------------------------|-----------------------|
| Circuits (Loaded) | 80 |
| Circuits (maximum) | 80 |
| Glow-Wire Compliant | No |
| Mated Height | 3.00mm, 4.00mm |
| Material - Plating Mating | Gold |
| Material - Plating Termination | Gold |
| Number of Rows | 2 |
| Orientation | Vertical |
| PCB Locator | No |
| PCB Retention | None |
| PCB Thickness - Recommended | 1.60mm |
| Packaging Type | Embossed Tape on Reel |
| Pitch - Mating Interface | 0.50mm |
| Plating min - Mating | 0.102µm |
| Plating min - Termination | 0.254µm |
| Polarized to PCB | No |
| Surface Mount Compatible (SMC) | N/A |
| Temperature Range - Operating | -40°C to +105°C |
| Termination Interface: Style | Surface Mount |

Electrical


| | |
|-------------------------------|------|
| Current - Maximum per Contact | 0.5A |
| Voltage - Maximum | 50V |

Material Info

| | |
|-----|--------------|
| UPC | 800754364522 |
|-----|--------------|

Reference - Drawing Numbers

| | |
|-------------------------|--|
| Packaging Specification | SPK-52991-001 |
| Product Specification | PS-52991-003, PS-54167-002, RPS-52991-010, RPS-52991-012, RPS-52991-013, RPS-52991-016, RPS-52991-017, RPS-52991-019, RPS-52991-020, RPS-54167-009 |
| Sales Drawing | SD-52991-004, SD-52991-005 |

| | |
|--|--|
| EU RoHS ELV and RoHS Compliant REACH SVHC Contains SVHC: No Low-Halogen Status Not Reviewed | China RoHS  |
|--|--|

Need more information on product environmental compliance?

Email productcompliance@molex.com
 For a multiple part number RoHS Certificate of Compliance, [click here](#)

Please visit the [Contact Us](#) section for any non-product compliance questions.

Search Parts in this Series

[52991Series](#)

Mates With

Board-to-Board SlimStack™ Plug [53748](#) ,
[53916](#) , [501920](#)

PLEASE CHECK WWW.MOLEX.COM FOR LATEST PART INFORMATION