

**PLEASE CHECK WWW.MOLEX.COM FOR LATEST PART INFORMATION**

**Part Number:** [19005-0014](#)  
**Status:** **Active**  
**Description:** InsulKrimp™ Fully Insulated Female Quick Disconnect, for 10-12 AWG Wire, Continuous Molded Strip

**Documents:**

[Drawing \(PDF\)](#) [Product Specification PS-19902-011 \(PDF\)](#)  
[Product Specification PS-19902-008 \(PDF\)](#) [RoHS Certificate of Compliance \(PDF\)](#)

**Agency Certification**

CSA LR18689  
 UL E79133

**General**

Product Family Quick Disconnects  
 Series [19005](#)  
 Crimp Quality Equipment Yes  
 Product Name InsulKrimp™  
 Type Quick Disconnect

**Physical**

Barrel Type Closed  
 Color - Resin Natural  
 Flammability 94V-2  
 Gender Female  
 Glow-Wire Compliant No  
 Insulation Nylon (PA)  
 Lock to Mating Part None  
 Material - Metal Brass  
 Material - Resin Nylon  
 Orientation Straight  
 Packaging Type Reel  
 Polarized to Mating Part No  
 Tab Thickness 0.81mm  
 Tab Width 6.35mm  
 Temperature Range - Operating -65°C to +105°C  
 Wire Insulation Diameter 6.99mm max.  
 Wire Size AWG 10, 12  
 Wire Size mm² 3.30 - 5.00

**Electrical**

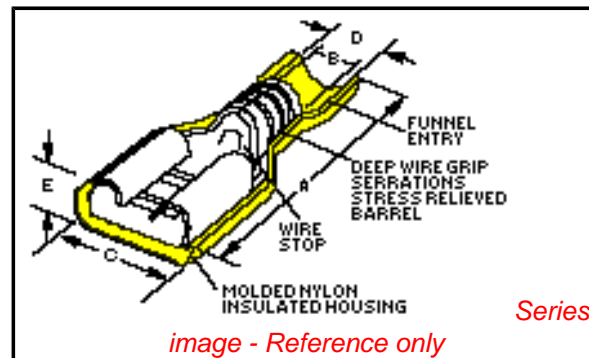
Voltage - Maximum 600V

**Material Info**

Old Part Number C-2265C

**Reference - Drawing Numbers**

Product Specification PS-19902-008, PS-19902-011  
 Sales Drawing SD-19005-001



**EU RoHS**

**ELV and RoHS Compliant**

**REACH SVHC**

**Contains SVHC: No Low-Halogen Status Low-Halogen**

**China RoHS**



**Need more information on product environmental compliance?**

Email [productcompliance@molex.com](mailto:productcompliance@molex.com)  
 For a multiple part number RoHS Certificate of Compliance, [click here](#)

Please visit the [Contact Us](#) section for any non-product compliance questions.

**Search Parts in this Series**

[19005Series](#)

**Use With**

[190040009](#) , [190040012](#)

**Application Tooling | FAQ**

*Tooling specifications and manuals are found by selecting the products below. Crimp Height Specifications are then contained in the Application Tooling Specification document.*

**Global**

Description	Product #
ACP Perishable Tool Kit used in ACP presses that process continuous molded product	<a href="#">0190280051</a>
Mini-Mac™ Applicator	<a href="#">0638830300</a>