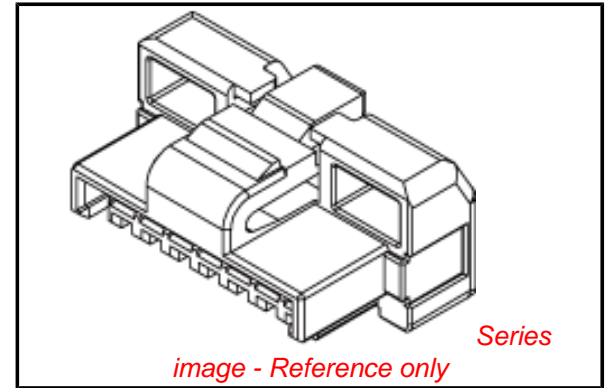


**PLEASE CHECK WWW.MOLEX.COM FOR LATEST PART INFORMATION**

**Part Number:** **502380-0200**  
**Status:** **Active**  
**Overview:** CLIK-Mate™ Wire-to-Board Connectors  
**Description:** 1.25mm Pitch CLIK-Mate™ Wire-to-Board Housing, Single Row, Positive Lock, 2 Circuits

**Documents:**

<a href="#">3D Model</a>	<a href="#">Application Specification AS-502380-001 (PDF)</a>
<a href="#">Drawing (PDF)</a>	<a href="#">Application Specification AS-502380-002 (PDF)</a>
<a href="#">Product Specification PS-502382-001 (PDF)</a>	<a href="#">RoHS Certificate of Compliance (PDF)</a>



**General**

Product Family	Crimp Housings
Series	502380
Application	Signal, Wire-to-Board
MolexKits	Yes
Overview	<u>CLIK-Mate™ Wire-to-Board Connectors</u>
Product Name	CLIK-Mate™

**Physical**

Breakaway	No
Circuits (maximum)	2
Color - Resin	White
Gender	Plug
Glow-Wire Compliant	No
Keying to Mating Part	Yes
Lock to Mating Part	Yes
Material - Resin	Polyester
Number of Rows	1
Packaging Type	Bag
Panel Mount	No
Pitch - Mating Interface	1.25mm
Polarized to Mating Part	Yes
Stackable	No
Temperature Range - Operating	-25°C to +85°C

**Electrical**


Current - Maximum per Contact	1A
-------------------------------	----

**Material Info**

UPC	822350894845
-----	--------------

**Reference - Drawing Numbers**

Application Specification	AS-502380-001, AS-502380-002
Product Specification	PS-502382-001, RPS-502382-003, RPS-502382-004, RPS-502382-005, RPS-502382-006, RPS-502382-008, RPS-502382-010, RPS-502382-011, RPS-502382-012, RPS-502382-013, RPS-502382-016, RPS-502382-017, RPS-502386-001, RPS-502386-002
Sales Drawing	SD-502380-001, SD-502380-002

<b>EU RoHS</b> <b>ELV and RoHS</b> <b>Compliant</b> <b>REACH SVHC</b> <b>Contains SVHC: No</b> <b>Low-Halogen Status</b> <b>Not Reviewed</b>	<b>China RoHS</b> 
--	--

**Need more information on product environmental compliance?**

Email [productcompliance@molex.com](mailto:productcompliance@molex.com)  
 For a multiple part number RoHS Certificate of Compliance, [click here](#)

Please visit the [Contact Us](#) section for any non-product compliance questions.

**Search Parts in this Series**

502380Series

**Mates With**

502382 PCB Receptacle, 502386 PCB Receptacle

**Use With**

502381 Crimp Terminal