

PLEASE CHECK WWW.MOLEX.COM FOR LATEST PART INFORMATION

Part Number: [53375-0210](#)
Status: **Active**
Overview: [Mini-Lock™](#)
Description: 2.50mm Pitch Mini-Lock™ Wire-to-Board Header, Vertical, Friction and Positive Lock, 2 Circuits, Lead-Free

Documents:

[3D Model](#) [Product Specification PS-51163-002 \(PDF\)](#)
[Drawing \(PDF\)](#) [RoHS Certificate of Compliance \(PDF\)](#)
[Product Specification PS-51103-005 \(PDF\)](#)

Agency Certification

CSA	LR19980
TUV	R72081037
UL	E29179

General

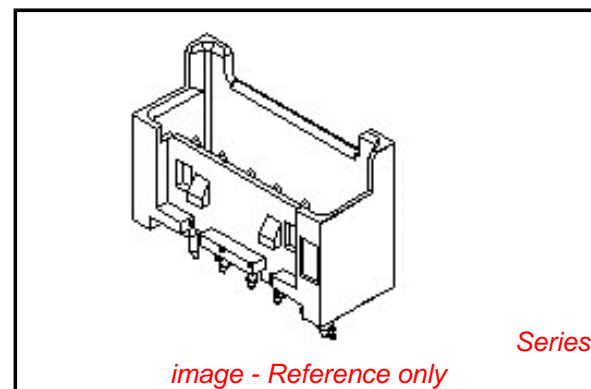
Product Family	PCB Headers
Series	53375
Application	Signal, Wire-to-Board
MolexKits	Yes
Overview	Mini-Lock™
Product Name	Mini-Lock™

Physical

Breakaway	No
Circuits (Loaded)	2
Circuits (maximum)	2
Color - Resin	Natural
Durability (mating cycles max)	30
First Mate / Last Break	No
Flammability	94V-0
Glow-Wire Compliant	No
Guide to Mating Part	No
Keying to Mating Part	None
Lock to Mating Part	Yes
Material - Plating Mating	Tin
Material - Plating Termination	Tin
Material - Resin	Polyester
Number of Rows	1
Orientation	Vertical
PC Tail Length	3.40mm
PCB Locator	Yes
PCB Retention	Yes
PCB Thickness - Recommended	1.60mm
Packaging Type	Bag
Pitch - Mating Interface	2.50mm
Polarized to PCB	Yes
Shrouded	Fully
Stackable	No
Surface Mount Compatible (SMC)	No
Temperature Range - Operating	-40°C to +105°C
Termination Interface: Style	Through Hole

Electrical

Current - Maximum per Contact	3A
-------------------------------	----



EU RoHS

ELV and RoHS Compliant
REACH SVHC Contains SVHC: No
Low-Halogen Status
Not Low-Halogen

China RoHS



Need more information on product environmental compliance?

Email productcompliance@molex.com
 For a multiple part number RoHS Certificate of Compliance, [click here](#)

Please visit the [Contact Us](#) section for any non-product compliance questions.

Search Parts in this Series

[53375Series](#)

Mates With

Mini-Lock™ Wire-to-Board and Wire-to-Wire Crimp Terminal [51103](#) , [51102](#) , [51163](#)

Voltage - Maximum

250V

Material Info

Reference - Drawing Numbers

Product Specification

PS-51103-005, PS-51163-002, RPS-51103-009,
RPS-51103-010, RPS-51103-011, RPS-51103-032,
RPS-51103-041, RPS-51103-046, RPS-51103-047,
RPS-51103-050, RPS-51103-056, RPS-51163-002,
RPS-51163-004

Sales Drawing

SD-53375-001

This document was generated on 03/30/2012

PLEASE CHECK WWW.MOLEX.COM FOR LATEST PART INFORMATION