

PLEASE CHECK WWW.MOLEX.COM FOR LATEST PART INFORMATION

Part Number: [74540-0401](#)
Status: **Active**
Overview: iPass™
Description: PCIe Guide Frame, x4, for PCIe Add-In Cards, 1° Cage Angle, With Key

Documents:

[3D Model](#) [RoHS Certificate of Compliance \(PDF\)](#)
[Drawing \(PDF\)](#)

General

Product Family	I/O Connectors
Series	74540
Application	Module-to-Board
Comments	For PCIe Add-In Cards 1° Cage Angle
Component Type	Guide
Overview	<u>iPass™</u>
Product Name	ATCA, iPass™, Mini Multi-Lane, PCI Express*
Type	N/A

Physical

Circuits (Loaded)	38
Durability (mating cycles max)	100
Keying to Mating Part	Yes
Lock to Mating Part	Yes
Material - Plating Mating	n/a
Orientation	Horizontal
PCB Retention	Yes
Packaging Type	Tray
Panel Mount	Yes
Pitch - Mating Interface	0.80mm
Polarized to Mating Part	Yes
Ports	1
Temperature Range - Operating	-20°C to +85°C
Termination Interface: Style	Crimp or Compression
Wire Insulation Diameter	N/A
Wire Size AWG	N/A

Electrical

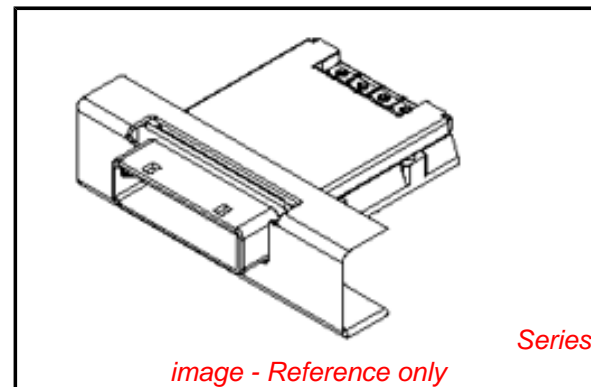
Current - Maximum per Contact	N/A
Grounding to Panel	N/A
Shielded	Yes

Material Info

UPC	822350705080
-----	--------------

Reference - Drawing Numbers

Sales Drawing	SD-74540-401
---------------	--------------



EU RoHS

**ELV and RoHS
Compliant**
REACH SVHC
 Not Reviewed
Low-Halogen Status
 Not Reviewed

China RoHS



**Need more information on product
environmental compliance?**

Email productcompliance@molex.com
 For a multiple part number RoHS Certificate of
 Compliance, [click here](#)

Please visit the [Contact Us](#) section for any
 non-product compliance questions.

Search Parts in this Series

[74540Series](#)

Mates With

[74546 iPass™ Cable Assembly](#)