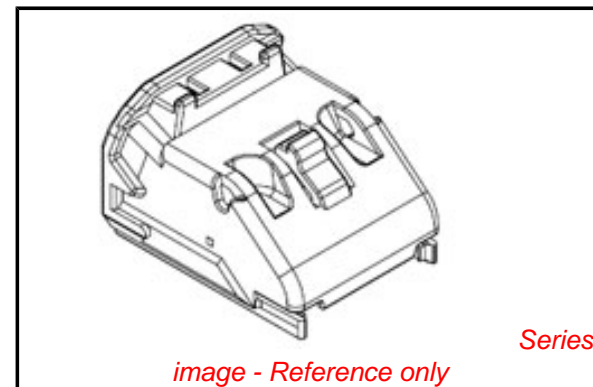


PLEASE CHECK WWW.MOLEX.COM FOR LATEST PART INFORMATION

Part Number: [64320-1301](#)
Status: **Active**
Overview: CMC Sealed, Hybrid, Modular Connectors and Headers
Description: CMC Wire Cap for 48 Circuits and 28 Circuits, CMC Receptacle Mat Sealed

Documents:

3D Model	Application Specification AS-64319-002 (PDF)
Drawing (PDF)	Application Specification AS-64319-002-CN (PDF)
Product Specification PS-64318-001 (PDF)	Application Specification AS-64319-002-FR (PDF)
Product Specification PS-64319-001 (PDF)	Packaging Specification PK-64320-002 (PDF)
Application Specification AS-64318-002 (PDF)	RoHS Certificate of Compliance (PDF)
Application Specification AS-64318-002-FR (PDF)	



General

Product Family	Crimp Housings
Series	64320
Application	Power, Wire-to-Board
Comments	* Current tested on a 5 terminals loaded connector, current for temperature increase of 40°C . Current max = 6.0A for 0.635mm Terminal (0.75mm ² wire) and 12.0A for 1.50mm Terminal (2.00mm ² wire) *
More Detailed Tech Information	Wire cap guides the wires from the connector either to the right or to the left
Overview	CMC Sealed, Hybrid, Modular Connectors and Headers
Product Name	CMC

Physical

Circuits (maximum)	48
Circuits Detail	Wire Cap for 48 circuit Receptacle + for 28 circuit CMC Receptacle
Color - Resin	Black
Gender	N/A
Glow-Wire Compliant	No
Keying to Mating Part	N/A
Lock to Mating Part	Yes
Material - Resin	Nylon
Number of Rows	0
Packaging Type	Carton
Panel Mount	No
Pitch - Mating Interface	N/A
Pitch - Termination Interface	N/A
Polarized to Mating Part	N/A
Stackable	No
Temperature Range - Operating	-40°C to +125°C

Electrical

Current - Maximum per Contact	12A, 6A
-------------------------------	---------

Material Info

Reference - Drawing Numbers

Application Specification	AS-64318-002, AS-64318-002-FR, AS-64319-002, AS-64319-002-CN, AS-64319-002-FR
Packaging Specification	PK-64320-002
Product Specification	PS-64318-001, PS-64319-001
Sales Drawing	SD-64320-002

EU RoHS

ELV and RoHS Compliant
REACH SVHC
Contains SVHC: No
Low-Halogen Status
Low-Halogen

China RoHS



Need more information on product environmental compliance?

Email productcompliance@molex.com
 For a multiple part number RoHS Certificate of Compliance, [click here](#)

Please visit the [Contact Us](#) section for any non-product compliance questions.

Search Parts in this Series

[64320Series](#)

Mates With

[64320](#) CMC Receptacle

Use With

CMC Connector 48 Circuit [64320](#). CMC Connector 28 Circuit [64318](#)

This document was generated on 04/03/2012

PLEASE CHECK WWW.MOLEX.COM FOR LATEST PART INFORMATION