

LM3481

Application Note 1756 LM3481 Evaluation Board



Literature Number: SNVA304

LM3481 Evaluation Board

National Semiconductor
Application Note 1756
Maurice Eaglin
April 30, 2008



Introduction

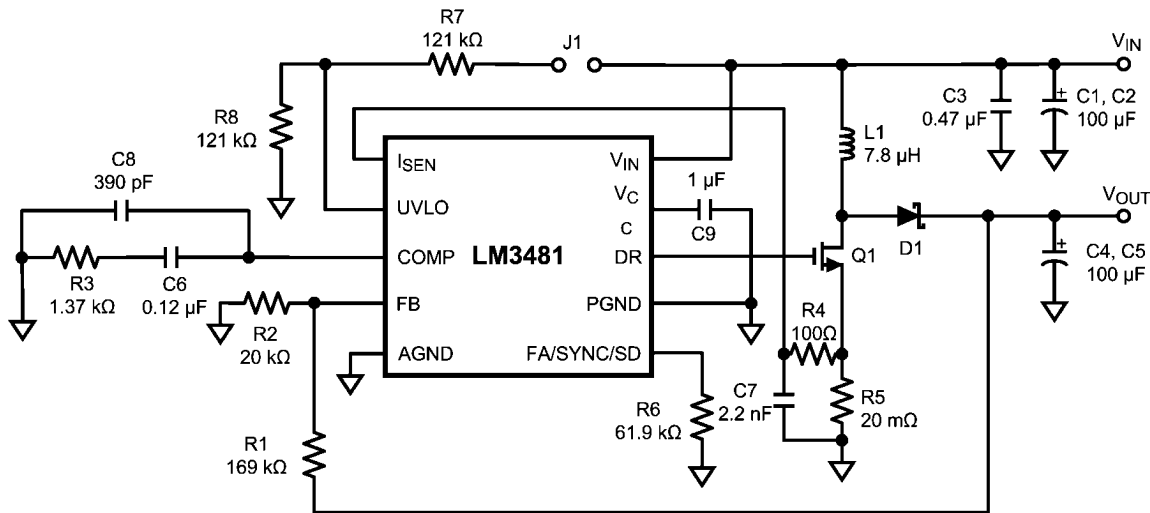
The LM3481 is a current mode, low side N channel FET controller. It can be utilized in numerous configurations including a Boost, Flyback or SEPIC (Single Ended Primary Inductor Converter). This evaluation board demonstrates the flexibility of the LM3481 in a boost topology. The operating conditions for the evaluation board are listed below:

$$3V \leq V_{IN} \leq 11V$$

$$V_{OUT} = 12V$$

$$0A \leq I_{OUT} \leq 1.5A$$

The circuit and bill of materials for this design are given below:



30045101

FIGURE 1. Circuit Diagram

Bill of Materials
300 kHz, $V_{in} = 5V$, $V_o = 12V$, $I_o = 1.5A$

Designator	Function	Description	Part Number	Vendor
U1	Controller	LM3481MSOP-10	LM3481MM	National
C1	Input Filter Cap	100 μF, 20V, D case, OxiCap	TPSV107M020R0060	AVX
C2	Input Filter Cap	100 μF, 20V, D case, OxiCap	TPSV107M020R0060	AVX
C3	Decoupling Cap	.47 μF, 16V, X7R, 1206	ECJ-3VB1C474K	Panasonic
C4	Output Filter Cap	100 μF, 16V, Y case, Ta	TPSD107M016R0100	AVX
C5	Output Filter Cap	100 μF, 16V, Y case, Ta	TPSD107M016R0100	AVX
C6	Comp Cap	0.12 μF, 25V, 0805	ECJ-2YB1E124K	Panasonic
C7	Current Limit Sense Cap	2200 pF, 50V, 0805	ECJ-2VB1H222K	Panasonic
C8	Comp Cap	390 pF, 50V, 0805	08055C391KAT2A	AVX
C9	V _{CC} Cap	1 μF, 25V, 1206	12063C105KAT	AVX
C11	Analog Input By. Cap	1 μF, 10V, 0805	0805ZC105KAT	AVX
R1	Resistor Divider (Upper)	169 kΩ, 1%, 0805	CRCW0805169KFK	Vishay
R2	Resistor Divider (Lower)	20k, 1%, 0805	CRCW080520K0FK	Vishay
R3	Comp Resistor	1.37k, 1%, 0805	CRCW08051K37FK	Vishay
R4	Filter Resistor	100Ω, 1%, 0805	CRCW0805100RFK	Vishay
R5	Sense Resistor	20 mΩ, 1%	WSL2512R0200FE	Vishay

Designator	Function	Description	Part Number	Vendor
R6	Freq. Adj. Resistor	61.9 k Ω , 1%, 0805	CRCW08056192F	Vishay
R7	UVLO Res. Div.	121 k Ω , 1%, 0805	CRCW08051213F	Vishay
R8	UVLO Res. Div.	121 k Ω , 1%, 0805	CRCW08051213F	Vishay
L1	Input Filter	7.8 μ , 8A, DCR = 10 m Ω	RLF12560-7R8N8R2	TDK
D1	Schottky Diode	4A,30V, $V_f = 0.4V$	SL-43	Vishay
Q1	FET	SO-8, $R_{ds(on)} = 2.9\text{ m}\Omega @ V_{DS} = 30V$	SI4368DY	Vishay
J1	Jumper	Shunt LM with handle, 2 positions	881545-2	Tyco Electronics
VIN	VIN Post Turret	90mil mounting diameter	97H6305	Newark Catalog
GND	VIN GND Post Turret	90mil mounting diameter	97H6305	Newark Catalog
GND	VOUT Post Turret	90mil mounting diameter	97H6305	Newark Catalog
VOUT	VOUT GND Post Turret	90mil mounting diameter	97H6305	Newark Catalog

Performance

Benchmark data has been taken from the evaluation board using the LM3481. Figure 2 shows an efficiency measurement taken at the maximum load of 1.5A with V_{in} at 5V.

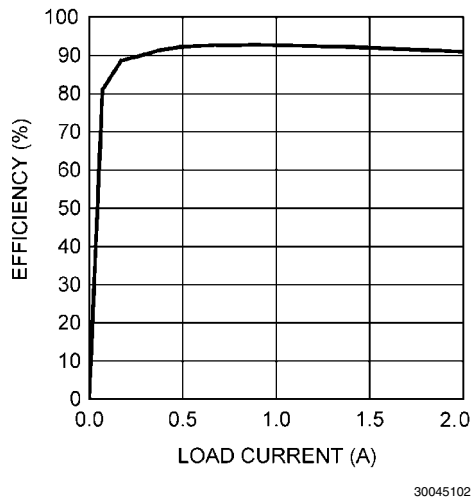


FIGURE 2. Efficiency vs Load

The advantage of the evaluation board is the ability to examine performance tradeoffs through substitution of parts. By careful selection of the components used, it is possible to optimize the application circuit for a given parameter. For instance, the FET footprint has been designed to accommodate either one SO-8 or two parallel SO-8 packages. The selection of the FET would then be determined by the design constraints. An example would be that a lower system cost could be obtained by selection of a FET with a higher $R_{DS(ON)}$, although performance would be sacrificed through reduced efficiency.

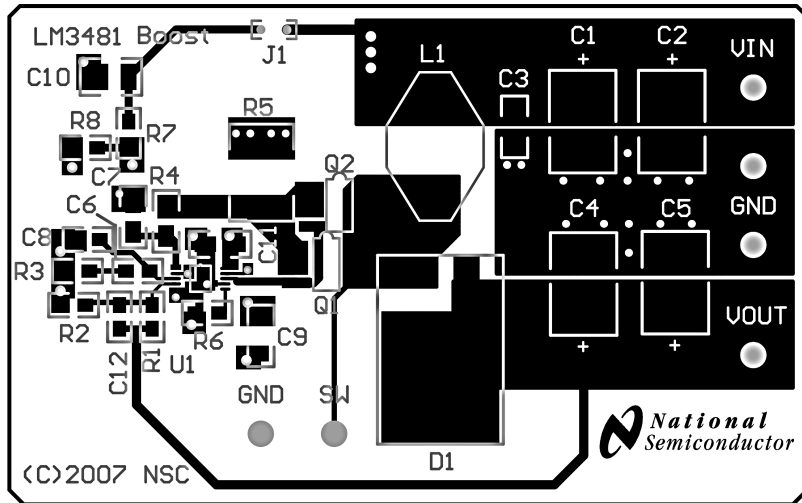
Current Limit

The purpose of the R4 (R_{SL}) resistor is to provide flexibility in the selection of the slope compensation needed for the required application. The amount of slope compensation directly determines the minimum inductance required for stability. (Please see the LM3481 datasheet for adjustment of slope compensation). For a complete discussion on how to calculate the R4 value needed, refer to the current limit section in the LM3481 datasheet. This evaluation board uses R4 and C7 to filter the Isen signal with negligible affect on the slope compensation.

Layout Fundamentals

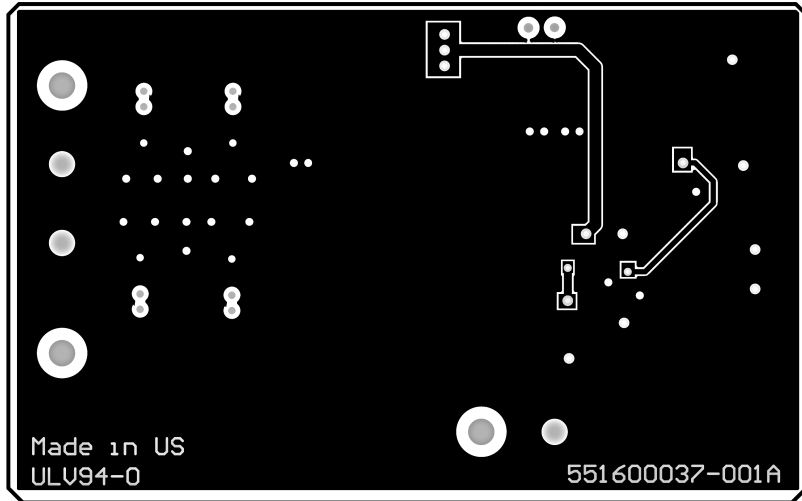
Good layout for DC-DC converters can be implemented by following a few simple design guidelines:

1. Place the power components (catch diode, inductor, and filter capacitors) close together. Make the traces between them as short and wide as possible.
2. Use wide traces between the power components and for power connections to the DC-DC converter circuit.
3. Connect the ground pins of the input and output filter capacitors and catch diode as close as possible using generous component-side copper fill as a pseudo-ground plane. Then, connect this to the ground plane through several vias.
4. Arrange the power components so that the switching loops curl in the same direction.
5. Separate noise sensitive traces, such as the voltage feedback path, from noisy traces associated with the power components.
6. Ensure a good low-impedance ground for the converter IC.
7. Place the supporting components for the converter IC, such as compensation and frequency selection components as close to the converter IC as possible, but away from noisy traces and the power components. Make their connections to the converter IC and its pseudo-ground plane as short as possible.
8. Place noise sensitive circuitry such as radio or modem blocks away from the DC-DC converter.



30045103

FIGURE 3. Top Layer



30045104

FIGURE 4. Bottom Layer

Notes

For more National Semiconductor product information and proven design tools, visit the following Web sites at:

Products		Design Support	
Amplifiers	www.national.com/amplifiers	WEBENCH	www.national.com/webench
Audio	www.national.com/audio	Analog University	www.national.com/AU
Clock Conditioners	www.national.com/timing	App Notes	www.national.com/appnotes
Data Converters	www.national.com/adc	Distributors	www.national.com/contacts
Displays	www.national.com/displays	Green Compliance	www.national.com/quality/green
Ethernet	www.national.com/ethernet	Packaging	www.national.com/packaging
Interface	www.national.com/interface	Quality and Reliability	www.national.com/quality
LVDS	www.national.com/lvds	Reference Designs	www.national.com/refdesigns
Power Management	www.national.com/power	Feedback	www.national.com/feedback
Switching Regulators	www.national.com/switchers		
LDOs	www.national.com/ldo		
LED Lighting	www.national.com/led		
PowerWise	www.national.com/powerwise		
Serial Digital Interface (SDI)	www.national.com/sdi		
Temperature Sensors	www.national.com/tempsensors		
Wireless (PLL/VCO)	www.national.com/wireless		

THE CONTENTS OF THIS DOCUMENT ARE PROVIDED IN CONNECTION WITH NATIONAL SEMICONDUCTOR CORPORATION ("NATIONAL") PRODUCTS. NATIONAL MAKES NO REPRESENTATIONS OR WARRANTIES WITH RESPECT TO THE ACCURACY OR COMPLETENESS OF THE CONTENTS OF THIS PUBLICATION AND RESERVES THE RIGHT TO MAKE CHANGES TO SPECIFICATIONS AND PRODUCT DESCRIPTIONS AT ANY TIME WITHOUT NOTICE. NO LICENSE, WHETHER EXPRESS, IMPLIED, ARISING BY ESTOPPEL OR OTHERWISE, TO ANY INTELLECTUAL PROPERTY RIGHTS IS GRANTED BY THIS DOCUMENT.

TESTING AND OTHER QUALITY CONTROLS ARE USED TO THE EXTENT NATIONAL DEEMS NECESSARY TO SUPPORT NATIONAL'S PRODUCT WARRANTY. EXCEPT WHERE MANDATED BY GOVERNMENT REQUIREMENTS, TESTING OF ALL PARAMETERS OF EACH PRODUCT IS NOT NECESSARILY PERFORMED. NATIONAL ASSUMES NO LIABILITY FOR APPLICATIONS ASSISTANCE OR BUYER PRODUCT DESIGN. BUYERS ARE RESPONSIBLE FOR THEIR PRODUCTS AND APPLICATIONS USING NATIONAL COMPONENTS. PRIOR TO USING OR DISTRIBUTING ANY PRODUCTS THAT INCLUDE NATIONAL COMPONENTS, BUYERS SHOULD PROVIDE ADEQUATE DESIGN, TESTING AND OPERATING SAFEGUARDS.

EXCEPT AS PROVIDED IN NATIONAL'S TERMS AND CONDITIONS OF SALE FOR SUCH PRODUCTS, NATIONAL ASSUMES NO LIABILITY WHATSOEVER, AND NATIONAL DISCLAIMS ANY EXPRESS OR IMPLIED WARRANTY RELATING TO THE SALE AND/OR USE OF NATIONAL PRODUCTS INCLUDING LIABILITY OR WARRANTIES RELATING TO FITNESS FOR A PARTICULAR PURPOSE, MERCHANTABILITY, OR INFRINGEMENT OF ANY PATENT, COPYRIGHT OR OTHER INTELLECTUAL PROPERTY RIGHT.

LIFE SUPPORT POLICY

NATIONAL'S PRODUCTS ARE NOT AUTHORIZED FOR USE AS CRITICAL COMPONENTS IN LIFE SUPPORT DEVICES OR SYSTEMS WITHOUT THE EXPRESS PRIOR WRITTEN APPROVAL OF THE CHIEF EXECUTIVE OFFICER AND GENERAL COUNSEL OF NATIONAL SEMICONDUCTOR CORPORATION. As used herein:

Life support devices or systems are devices which (a) are intended for surgical implant into the body, or (b) support or sustain life and whose failure to perform when properly used in accordance with instructions for use provided in the labeling can be reasonably expected to result in a significant injury to the user. A critical component is any component in a life support device or system whose failure to perform can be reasonably expected to cause the failure of the life support device or system or to affect its safety or effectiveness.

National Semiconductor and the National Semiconductor logo are registered trademarks of National Semiconductor Corporation. All other brand or product names may be trademarks or registered trademarks of their respective holders.

Copyright© 2008 National Semiconductor Corporation

For the most current product information visit us at www.national.com



**National Semiconductor
Americas Technical
Support Center**
Email: support@nsc.com
Tel: 1-800-272-9959

**National Semiconductor Europe
Technical Support Center**
Email: europe.support@nsc.com
German Tel: +49 (0) 180 5010 771
English Tel: +44 (0) 870 850 4288

**National Semiconductor Asia
Pacific Technical Support Center**
Email: ap.support@nsc.com

**National Semiconductor Japan
Technical Support Center**
Email: jpn.feedback@nsc.com

IMPORTANT NOTICE

Texas Instruments Incorporated and its subsidiaries (TI) reserve the right to make corrections, modifications, enhancements, improvements, and other changes to its products and services at any time and to discontinue any product or service without notice. Customers should obtain the latest relevant information before placing orders and should verify that such information is current and complete. All products are sold subject to TI's terms and conditions of sale supplied at the time of order acknowledgment.

TI warrants performance of its hardware products to the specifications applicable at the time of sale in accordance with TI's standard warranty. Testing and other quality control techniques are used to the extent TI deems necessary to support this warranty. Except where mandated by government requirements, testing of all parameters of each product is not necessarily performed.

TI assumes no liability for applications assistance or customer product design. Customers are responsible for their products and applications using TI components. To minimize the risks associated with customer products and applications, customers should provide adequate design and operating safeguards.

TI does not warrant or represent that any license, either express or implied, is granted under any TI patent right, copyright, mask work right, or other TI intellectual property right relating to any combination, machine, or process in which TI products or services are used. Information published by TI regarding third-party products or services does not constitute a license from TI to use such products or services or a warranty or endorsement thereof. Use of such information may require a license from a third party under the patents or other intellectual property of the third party, or a license from TI under the patents or other intellectual property of TI.

Reproduction of TI information in TI data books or data sheets is permissible only if reproduction is without alteration and is accompanied by all associated warranties, conditions, limitations, and notices. Reproduction of this information with alteration is an unfair and deceptive business practice. TI is not responsible or liable for such altered documentation. Information of third parties may be subject to additional restrictions.

Resale of TI products or services with statements different from or beyond the parameters stated by TI for that product or service voids all express and any implied warranties for the associated TI product or service and is an unfair and deceptive business practice. TI is not responsible or liable for any such statements.

TI products are not authorized for use in safety-critical applications (such as life support) where a failure of the TI product would reasonably be expected to cause severe personal injury or death, unless officers of the parties have executed an agreement specifically governing such use. Buyers represent that they have all necessary expertise in the safety and regulatory ramifications of their applications, and acknowledge and agree that they are solely responsible for all legal, regulatory and safety-related requirements concerning their products and any use of TI products in such safety-critical applications, notwithstanding any applications-related information or support that may be provided by TI. Further, Buyers must fully indemnify TI and its representatives against any damages arising out of the use of TI products in such safety-critical applications.

TI products are neither designed nor intended for use in military/aerospace applications or environments unless the TI products are specifically designated by TI as military-grade or "enhanced plastic." Only products designated by TI as military-grade meet military specifications. Buyers acknowledge and agree that any such use of TI products which TI has not designated as military-grade is solely at the Buyer's risk, and that they are solely responsible for compliance with all legal and regulatory requirements in connection with such use.

TI products are neither designed nor intended for use in automotive applications or environments unless the specific TI products are designated by TI as compliant with ISO/TS 16949 requirements. Buyers acknowledge and agree that, if they use any non-designated products in automotive applications, TI will not be responsible for any failure to meet such requirements.

Following are URLs where you can obtain information on other Texas Instruments products and application solutions:

Products

Audio	www.ti.com/audio
Amplifiers	amplifier.ti.com
Data Converters	dataconverter.ti.com
DLP® Products	www.dlp.com
DSP	dsp.ti.com
Clocks and Timers	www.ti.com/clocks
Interface	interface.ti.com
Logic	logic.ti.com
Power Mgmt	power.ti.com
Microcontrollers	microcontroller.ti.com
RFID	www.ti-rfid.com
OMAP Mobile Processors	www.ti.com/omap
Wireless Connectivity	www.ti.com/wirelessconnectivity

Applications

Communications and Telecom	www.ti.com/communications
Computers and Peripherals	www.ti.com/computers
Consumer Electronics	www.ti.com/consumer-apps
Energy and Lighting	www.ti.com/energy
Industrial	www.ti.com/industrial
Medical	www.ti.com/medical
Security	www.ti.com/security
Space, Avionics and Defense	www.ti.com/space-avionics-defense
Transportation and Automotive	www.ti.com/automotive
Video and Imaging	www.ti.com/video

TI E2E Community Home Page

e2e.ti.com

Mailing Address: Texas Instruments, Post Office Box 655303, Dallas, Texas 75265
Copyright © 2011, Texas Instruments Incorporated