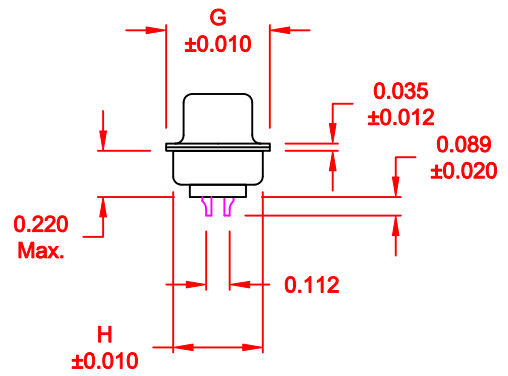
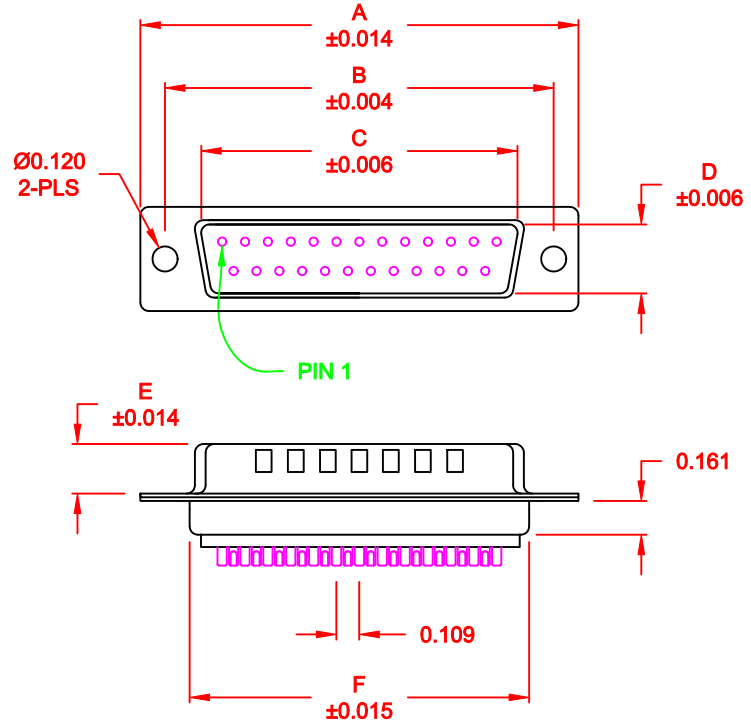


DESCRIPTION: MALE - SOLDER CUP - MACHINED - ECONOMY

WILL ACCEPT
26-20 AWG WIRE

No. OF PINS	DIMENSIONS							
	A	B	C	D	E	F	G	H
9	1.213	0.984	0.666	0.329	0.236	0.756	0.496	0.427
	30.80	24.99	16.92	8.36	5.99	19.20	12.60	10.85
15	1.541	1.312	0.994	0.329	0.236	1.091	0.496	0.427
	39.15	33.32	25.25	8.36	5.99	27.70	12.60	10.85
25	2.087	1.852	1.534	0.329	0.236	1.618	0.496	0.427
	53.00	47.04	38.96	8.36	5.99	41.10	12.60	10.85



772-EYY-1 0 Y R YY 1

- SERIES
- POSITIONS
 - E09
 - E15
 - E25
- GENDER
 - 1 = MALE
- TERMINATION
 - 0 = SOLDER CUP
- SHELL PLATING
 - 2 = TIN (GROUND INDENTS)
 - 3 = NICKEL (GROUND INDENTS)
- RoHS COMPLIANT
- HARDWARE OPTIONS
 - 00 = NO HARDWARE
 - 01 = 0.098" 4-40 INSERT, BOARD SIDE
- PLATING OPTIONS
 - 1 = GOLD FLASH

MATERIAL:

- SHELL: STEEL, NICKEL OR TIN PLATED
- INSULATOR: UL 94V-O RATED PBT-WHITE
- PROCESS TEMP.: 260° FOR CABLE APPLICATIONS, 230° FOR BOARD
- CONTACT: BRASS
- SEALING MATERIAL: F08 FLEXABLE ADHESIVE

ELECTRICAL:

- CURRENT RATING: 5 AMPS
- CONTACT RESISTANCE: 15 mOhms Max.
- INSULATION RESISTANCE: 1,000 MOhms min.
- VOLTAGE: 500VAC FOR 1 MINUTE
- TEMPERATURE: -50° C TO 100° C

MEETS IP67 STANDARDS

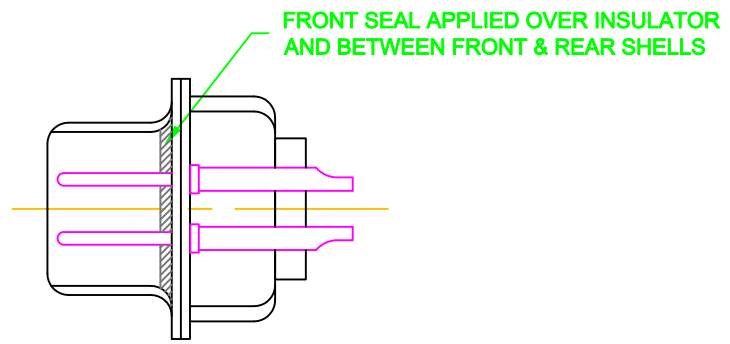
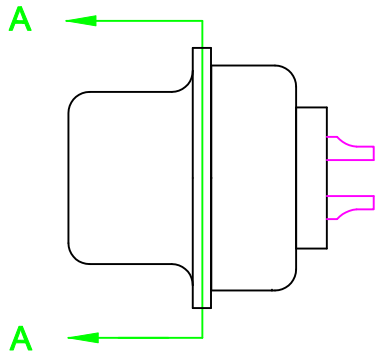
(SEE PAGE 2 FOR SEALING DETAILS)

DO NOT SCALE FROM DRAWING

	THESE DRAWINGS AND SPECIFICATIONS ARE THE PROPERTY OF NorComp AND SHALL NOT BE REPRODUCED, COPIED OR USED AS THE BASIS FOR THE MANUFACTURE OR SALE OF APPARATUS WITHOUT WRITTEN PERMISSION.		DRAWN: C. SMITH	DATE: 03-26-09
			CHECKED:	DATE:
<h1>NorComp</h1>		SCALE: 1 : 1	SHEET 1 OF 2	REV 4
		DWG NO. 772-EYY-10YRYY1		

RoHS COMPLIANT

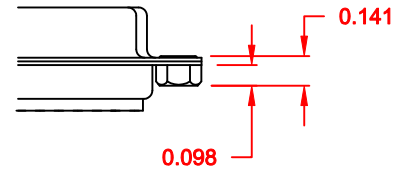
DESCRIPTION: IP67 - MALE - SOLDER CUP - MACHINED - ECONOMY - SEALING PROCESS




DETAIL A-A

HARDWARE OPTION

01X 0.098" (BOARD SIDE) - CN1



DO NOT SCALE FROM DRAWING

	THESE DRAWINGS AND SPECIFICATIONS ARE THE PROPERTY OF NorComp AND SHALL NOT BE REPRODUCED, COPIED OR USED AS THE BASIS FOR THE MANUFACTURE OR SALE OF APPARATUS WITHOUT WRITTEN PERMISSION.		DRAWN: C. SMITH	DATE: 03-26-09
			CHECKED:	DATE:
<h1>NorComp</h1>		SCALE: 2.5 : 1	SHEET 2 OF 2	REV 4
		DWG NO. 772-EYY-10YRYY1		