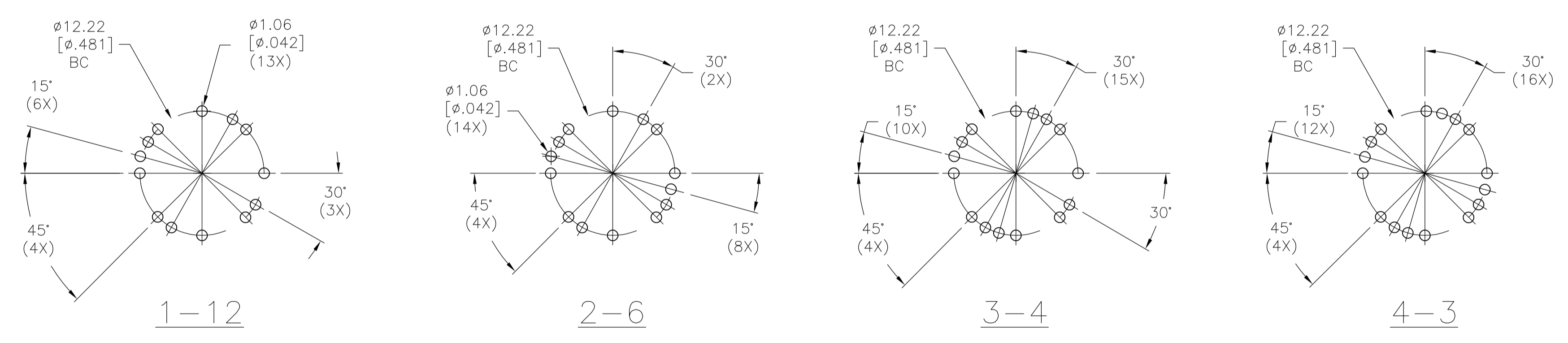


SPECIFICATIONS	
RATING	.4VA MAX. @ 20VDC, OR PEAK AC
TIMING	BREAK BEFORE MAKE
INITIAL CONTACT RESISTANCE	30 MILLIOHMS MAX
INSULATION RESISTANCE	10,000 MEGOHMS MIN
DIELECTRIC WITHSTANDING VOLTAGE	1,000 VRMS AT SEA LEVEL
DURABILITY	10,000 CYCLES @ .4VA RESISTIVE
	30,000 CYCLES @ .1μA 12VDC RESISTIVE
OPERATING FORCE	14 INCH OUNCES
OPERATING TEMPERATURE	-20°C TO +70°C
STORAGE TEMPERATURE	-20°C TO +70°C



RECOMMENDED PCB HOLE LAYOUTS (VIEWED FROM SHAFT END)
TOLERANCE ±.002. UNLESS OTHERWISE NOTED.

NOTES:

1. TERMINAL NUMBERS ARE FOR REFERENCE ONLY AND DO NOT APPEAR ON SWITCHES.
2. ALL MATERIALS AND FINISHES SHALL COMPLY WITH EU DIRECTIVE 2002/95/EC OF 27JAN2003 (ROHS).
3. EACH SWITCH SUPPLIED WITH THE FOLLOWING MOUNTING HARDWARE:
(2) HEX NUTS.
(1) LOCKING RING FOR ANTIROTATION.
(1) INTERNAL TOOTH LOCKWASHER.

MATERIALS		
COMPONENT NAME	BASE MATERIAL	FINISH
BASE	EPOXY	-
FIXED CONTACT	BRASS	GOLD OVER NICKEL
TERMINAL	BRASS	TIN OVER NICKEL
MOVEABLE CONTACT	PHOSPHOR BRONZE	GOLD OVER NICKEL
ROTOR	PBT	-
BALL	STEEL	-
SPRING	PIANO WIRE	-
STOPPER	STEEL	ZINC
BUSHING	ZINC	NICKEL
SHAFT	BRASS	NICKEL
LOCKING RING	STEEL	ZINC
HEX NUT	BRASS	NICKEL
INTERNAL TOOTH LOCKWASHER	STEEL	ZINC

9 [.35]	3~4 ADJUSTABLE	3	MRJ34904	1825535-5
19 [.75]	4~3 ADJUSTABLE	4	MRJ4304	1825535-4
19 [.75]	3~4 ADJUSTABLE	3	MRJ3404	1825535-3
19 [.75]	2~6 ADJUSTABLE	2	MRJ2604	1825535-2
19 [.75]	1~12 ADJUSTABLE	1	MRJ11204	1825535-1
"A" SHAFT LENGTH	POSITIONS	NO. OF POLES	ALCO P/N	PART NUMBER

THIS DRAWING IS A CONTROLLED DOCUMENT.		DIN	REV B ED	D4MAY83
DIMENSIONS: mm [INCHES]		CHK	-	-
TOLERANCES UNLESS OTHERWISE SPECIFIED:		APVD	-	-
0 PLC ± -		NAME	MINIATURE ROTARY SWITCH	
1 PLC ± 5.08 [.2]		PRODUCT SPEC	12 POS.-30° DETENT (MRJ SERIES)	
2 PLC ± 2.54 [.1]		APPLICATION SPEC	-	
3 PLC ± -		SIZE	CAGE CODE	DRAWING NO
4 PLC ± -		WEIGHT	A1	00779
ANGLES ± ± 1°		CUSTOMER DRAWING	SCALE	3:1
MATERIAL SEE SPECIFICATIONS		FINISH SEE SPECIFICATIONS	SHEET	1 OF 1
		RESTRICTED TO	REV	A4