

TECHNICAL CHARACTERISTICS

MATERIAL
 CONTACT MATERIAL: COPPER ALLOY
 CONTACT TYPE: STAMPED
 CONTACT PLATING: TIN
 QUALITY CLASS: 25 MATING CYCLES
 PITCH: FOR 4.20MM

ENVIRONMENTAL
 OPERATING TEMPERATURE: -40 UP TO 105°C
 COMPLIANCE: LEAD FREE AND ROHS

ELECTRICAL
 CURRENT RATING: 6 TO 9A
 WORKING VOLTAGE: 600V AC
 INSULATOR RESISTANCE: >1000 MOHM
 DIELECTRIC WITHSTANDING VOLTAGE: 1500V AC/MN
 CONTACT RESISTANCE: 20 MOHM MAX

WIRE DIMENSION
 64900613722 AWG 18-24

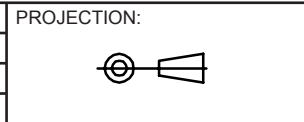
PACKAGING
 REEL OF 4KPCS
 649006113722DEC: 100PCS BAGS

DIMENSION

ORDER CODE	AWG	A	B	C	D
64900613722	18-24	3.60	4.50	1.90	2.30

RoHS Compliant

G			
F			
E			
D			
C			
B			
A	CREATION	09-MAR-11	GG
REV	DATE	FILE	BY



APPROVAL: RJ

GENERAL TOLERANCE
 .X = +/- 0.2
 .XX = +/- 0.15

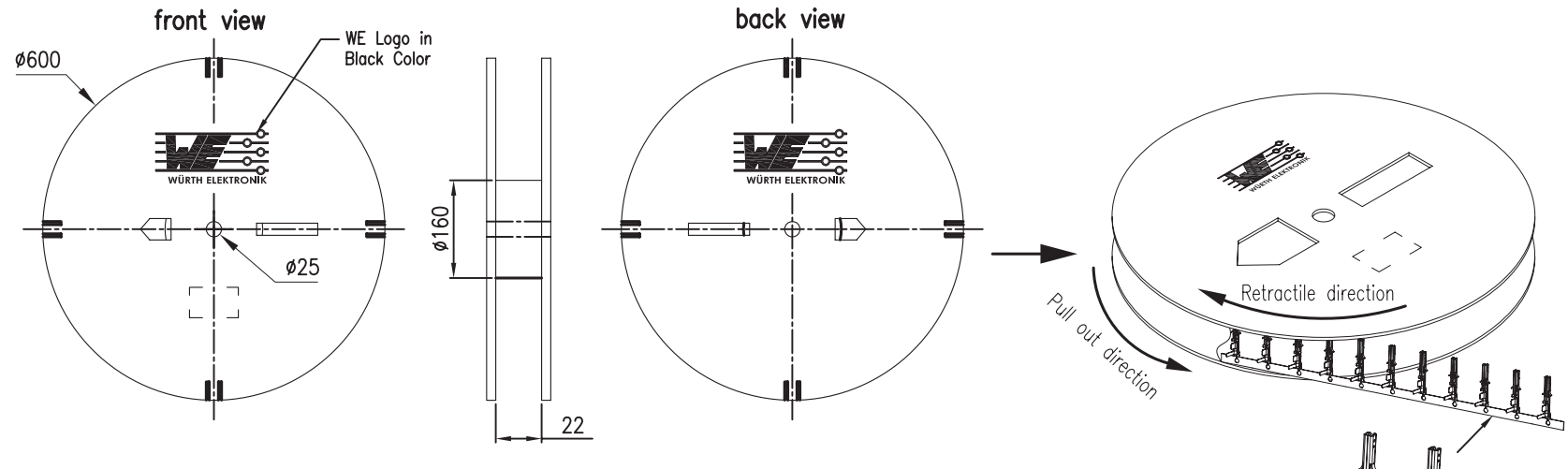
UNIT: MM
 SCALE:
 SHEET: 1/2
 DRAW: MIKE



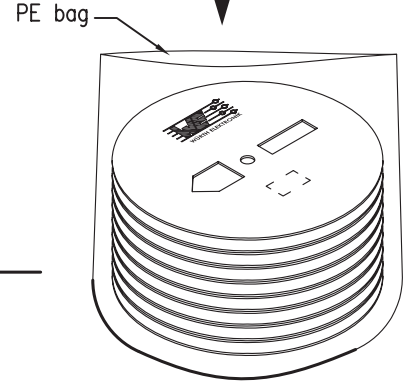
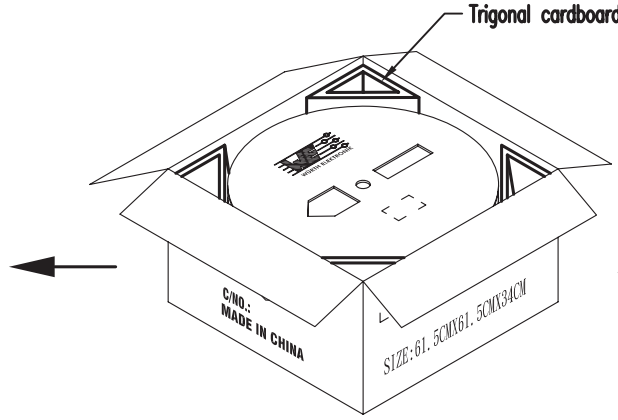
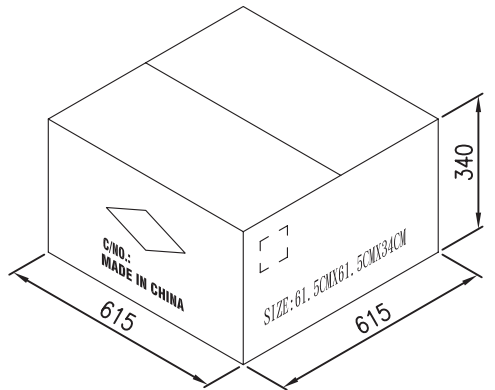
DESCRIPTION: 4.2MM FEMALE CRIMP TERMINAL 18-24 AWG
 WERI PART NO: 649 006 137 22

SIZE
A4

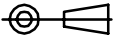

1 2 3 4 5



Q'ty/Reel	Reel/Carton	Q'ty/Carton
4,000PCS	10Reel	40,000PCS



10Reel/carton
PE Bag:900*900*0.06

RoHS Compliant				PROJECTION: 	GENERAL TOLERANCE .X = +/- 0.2 .XX = +/- 0.15		DESCRIPTION: 4.2MM FEMALE CRIMP TERMINAL 18-24 AWG	SIZE A4
G								
F								
E								
D								
C				APPROVAL: RJ	UNIT: MM	WERI PART NO: 649 006 137 22		
B					SCALE:			
A					SHEET: 2/2			
REV	DATE	FILE	BY		DRAW: MIKE			