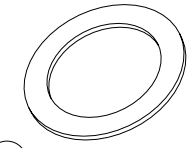


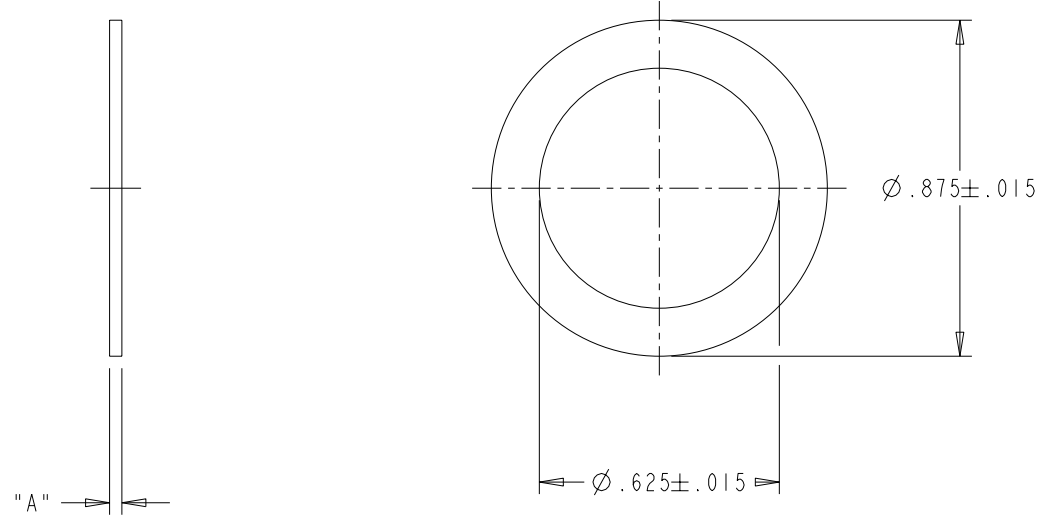
700109

REV	OCN #	DATE	APR
B	964232	05 NOV 96	RE
C	023553	27 JUL 04	REO



(C) SCALE 1:1

PART NO.	MATERIAL	NOTES	"A"
700109	CORK/NEOPRENE	CHAMBERS #WI306	.032±.015
(C) 700109-1	60 DUROMETER SHORE A NEOPRENE		.032±.015
700109-2	CORK/NEOPRENE		.062±.015
(C) 700109-3	70 DUROMETER SHORE A EPDM		.032±.015



■ MANUFACTURING ▲ SPC

PROCESS:	MATERIAL: SEE CHART	OTTO CONTROLS DIVISION OF OTTO ENGINEERING INC. CARPENTERSVILLE, ILLINOIS USA	DESCRIPTION WASHER SEAL				
UNLESS OTHERWISE SPECIFIED: DIMENSIONS ARE IN INCHES. TOLERANCES ARE AS LISTED. MUST BE FREE FROM BURRS AND SHARP EDGES.	TOLERANCES .XX ±.01 .XXX ±.005 ANGLES ±1° SURFACES 64 MICROINCH DO NOT SCALE DRAWING.	THIS DOCUMENT IS THE CONFIDENTIAL PROPERTY OF OTTO ENGINEERING, INC.. IT IS NOT TO BE USED IN ANY WAY DETRIMENTAL TO THE INTERESTS OF OTTO ENGINEERING, INC..	DRWN. KS	SIZE	FSCM NO	DRAWING NO.	REV.
			CHKD. KS	A	21649	700109	C
WT.			THIRD ANGLE PROJECTION		Scale 2:1	Sheet 1 OF 1	