

PLEASE CHECK WWW.MOLEX.COM FOR LATEST PART INFORMATION

Part Number: [130196-0314](#)
Status: **Active**
Overview: SolarSpec™ Junction Box and Cable Assemblies
Description: SolarSpec™ Pin Contact, 4.00 to 6.00mm² (10-12 AWG) Cable, Reel

Documents:

[Drawing \(PDF\)](#) [RoHS Certificate of Compliance \(PDF\)](#)

General

Product Family	Crimp Terminals
Series	130196
Application	Power
Crimp Quality Equipment	Yes
MolexKits	Yes
Overview	SolarSpec™ Junction Box and Cable Assemblies
Product Name	SolarSpec™

Physical

Durability (mating cycles max)	50
Gender	Pin
Material - Metal	Copper Alloy
Material - Plating Mating	Silver over Nickel
Packaging Type	Reel
Wire Insulation Diameter	6.70-7.80mm
Wire Size AWG	10, 12
Wire Size mm ²	4.0-6.0

Electrical

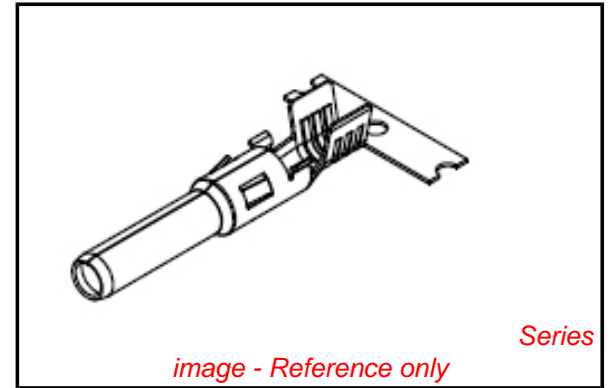
Current - Maximum per Contact	30A
Voltage - Maximum	600V

Material Info

UPC	884982254527
-----	--------------

Reference - Drawing Numbers

Sales Drawing	SD-130196-001
---------------	---------------



EU RoHS

**ELV and RoHS
Compliant**

REACH SVHC

**Contains SVHC: No
Low-Halogen Status
Not Reviewed**

China RoHS



**Need more information on product
environmental compliance?**

Email productcompliance@molex.com
 For a multiple part number RoHS Certificate of
 Compliance, [click here](#)

Please visit the [Contact Us](#) section for any
 non-product compliance questions.

Search Parts in this Series

130196Series

Mates With

1301970346 SolarSpec™ Socket
 Connector, 10-12 AWG, Reel

Application Tooling | FAQ

*Tooling specifications and manuals are
 found by selecting the products below.
 Crimp Height Specifications are then
 contained in the Application Tooling
 Specification document.*

Global

Description	Product #
Hand Tool for Solar Pin and Socket Crimp Terminal	0638236400
Mini-Mac™ Applicator for Solar Pin and Socket Crimp Terminals, 10-12 AWG and 6.00-4.00mm	0638952800

This document was generated on 06/19/2012

PLEASE CHECK WWW.MOLEX.COM FOR LATEST PART INFORMATION