



Standard Fan San Ace 60
Square type : 60mm Thick : 25mm

The PDF file of this product can be downloaded.

Ribless*image is Ribbed model
Features

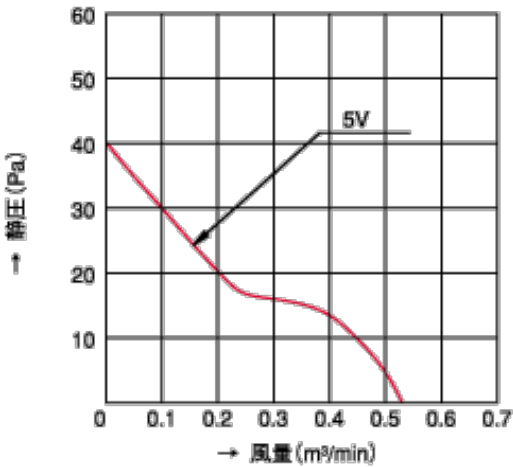
- Motor protection system Current cut system (with reverse-connection protection)
- Dielectric strength 50/60 Hz, 500VAC, 1 minute (between lead conductor and frame)
- Operating thermally range -10°C to +60°C (non-condensing)
- Fan power lead J,G,D,S,H,F,W speeds, +red, -black
M speed, +red, -blue

Specifications

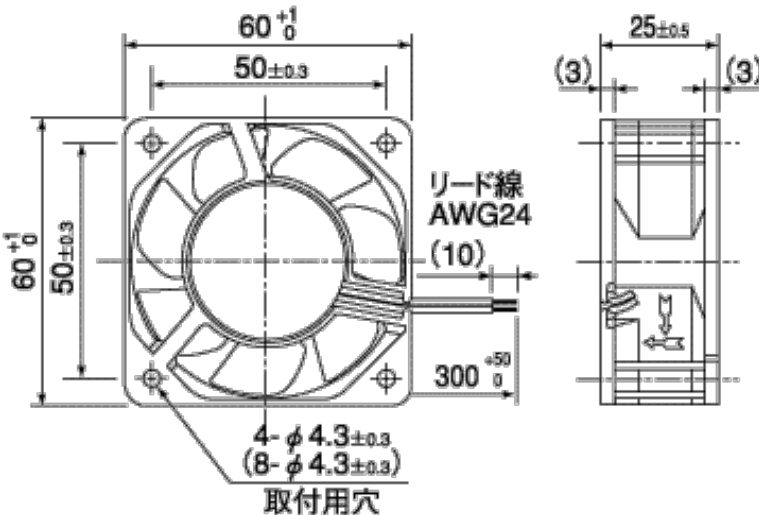
Model No.	Rated Voltage (V)	Operating voltage range (V)	Rated current (A)	Rated input (W)	Rated speed (min ⁻¹)	Air flow (m ³ /min)	Static pressure (Pa)	Noise (dB[A])	Mass (g)
109R0605H4021	5	4.5-5.5	0.34	1.70	3800	0.53	40.2	28	90

Typical air flow and static pressure characteristics

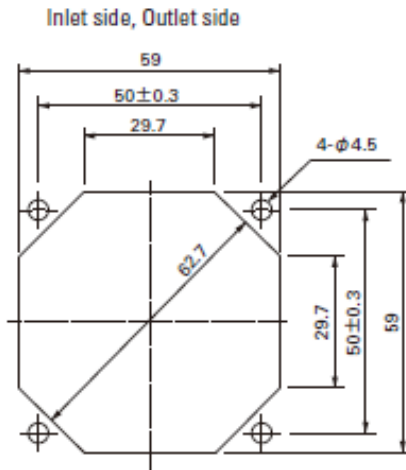
Hスピード



Dimensions (unit:mm)



Reference dimensional diagram for installation holes (unit:mm)



Corresponding accessories list

Finger guards
Square type

Adaptation machines-Frame size:60mm

Model No.	Surface Finishing	Adaptation machines
109-139E	Nickel-chrome plating	San Ace 60
109-139H	Cation electropainting	San Ace 60

Resin finger
guards
Square type

Adaptation machines-Frame size:60mm

Model No.	Material
109-1003G	Frame:(SPS+PS alloy)Resin UL File No.E48268 94V-0

Resin filter Kits

Adaptation machines-Frame size:60mm

Model No.	PPI	Material
109-1003F13	13	Guard,cover:(SPS + PS alloy)Resin UL File No.E48268 94V-0 Filter:Polyurethane foam UL File No.E74916(S) 94HF-1
109-1003F20	20	Guard,cover:(SPS + PS alloy)Resin UL File No.E48268 94V-0 Filter:Polyurethane foam UL File No.E74916(S) 94HF-1
109-1003F30	30	Guard,cover:(SPS + PS alloy)Resin UL File No.E48268 94V-0 Filter:Polyurethane foam UL File No.E74916(S) 94HF-1
109-1003F40	40	Guard,cover:(SPS + PS alloy)Resin UL File No.E48268 94V-0 Filter:Polyurethane foam UL File No.E74916(S) 94HF-1

CLOSE