



Standard Fan San Ace 80
 Square type : 80mm Thick : 25mm



The PDF file of this product can be downloaded.

Without sensor, Ribless

Features

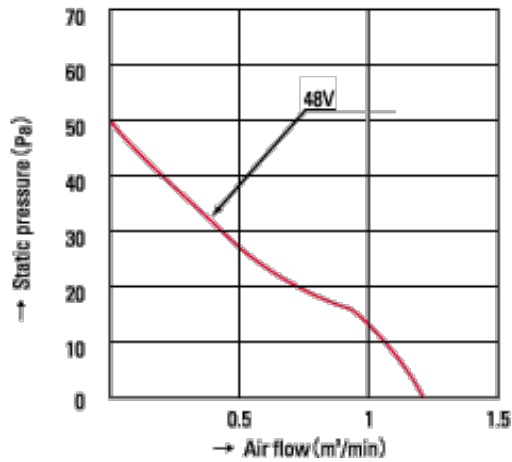
- Motor protection system Current cut system 15,20,25mm thick (with reverse-connection protection) PTC protection system(32mm thick)
- Dielectric strength 50/60 Hz, 500VAC, 1 minute (between lead conductor and frame)
- Operating thermally range -10°C to +60°C (non-condensing)
- Fan power lead G,A,S,H,F,W speeds, +red, -black Mspeed, +red, -blue

Specifications

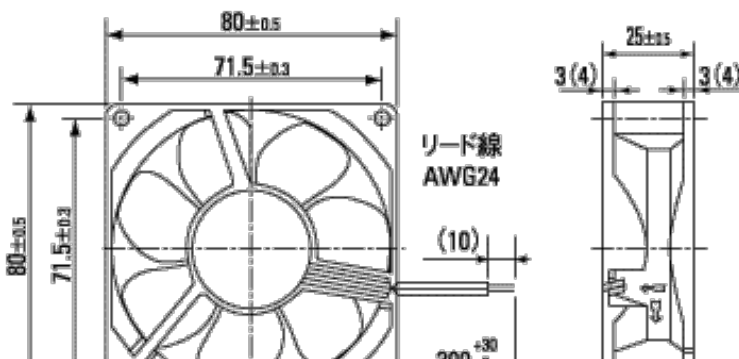
Model No.	Rated Voltage (V)	Operating voltage range (V)	Rated current (A)	Rated input (W)	Rated speed (min ⁻¹)	Air flow (m ³ /min)	Static pressure (Pa)	Noise (dB[A])	Mass (g)
109R0848S4021	48	40.8-55.2	0.06	2.88	3400	1.2	48	34	150

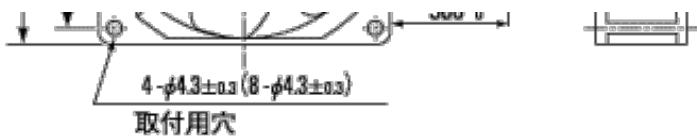
Typical air flow and static pressure characteristics

S speed

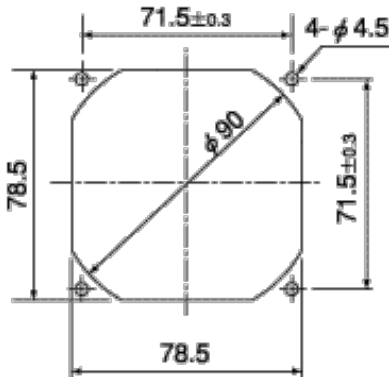


Dimensions (unit:mm)





Reference dimensional diagram for installation holes (unit:mm)



Corresponding accessories list

Finger guards
Square type

Adaptation machines-Frame size:80mm

Model No.	Surface Finishing	Adaptation machines
109-049C	Nickel-chrome plating	San Ace 80

Finger guards
Square type

Adaptation machines-Frame size:80mm

Model No.	Surface Finishing	Adaptation machines
109-049E	Nickel-chrome plating	San Ace 80
109-049H	Cation electropainting	San Ace 80

Resin finger guards
Square type

Adaptation machines-Frame size:80mm

Model No.	Material
109-1002G	Frame:(SPS + PS alloy)Resin UL File No.E48268 94V-0

EMC guards

Adaptation machines-Frame size:80mm

Model No.	Surface Finishing	Adaptation machines
109-1039	Nickel-chrome plating	San Ace 80

Resin filter Kits

Adaptation machines-Frame size:80mm

Model No.	PPI	Material
109-1002F13	13	Guard,cover:(SPS + PS alloy)Resin UL File No.E48268 94V-0 Filter:Polyurethane foam UL File No.E74916(S) 94HF-1
109-1002F20	20	Guard,cover:(SPS + PS alloy)Resin UL File No.E48268 94V-0 Filter:Polyurethane foam UL File No.E74916(S) 94HF-1
109-1002F30	30	Guard,cover:(SPS + PS alloy)Resin UL File No.E48268 94V-0 Filter:Polyurethane foam UL File No.E74916(S) 94HF-1
109-1002F40	40	Guard,cover:(SPS + PS alloy)Resin UL File No.E48268 94V-0 Filter:Polyurethane foam UL File No.E74916(S) 94HF-1

CLOSE