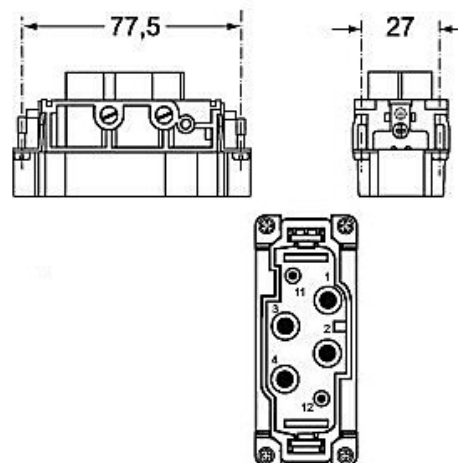




Part Number: CXM 4/2



Family	inserts
Version	screw terminal connections
Series	CX
Product type	with male contacts
Model	male insert
Reference standard	EN 61984 (2001-11)
Contact type	silver plated
No. of poles	4 poles + 
Auxiliaries poles	2 poles (16A max - 400V/6kV/3)
Voltage (V)	690V
Current (A)	80A (A.C./D.C.)
Wire section	4mm ² - 16mm ²
Awg size	12 - 6
Quality mark	
IP degree of protection	IP20 degree of protection without enclosure; IP65, IP66, IP67, IP68 (EN 60529) and IP69K (DIN 40050 - 9) with enclosure
Fixing centre distance	size "77.27"
Impulse withstand voltage	8kV
Pollution degree	3
Barcode EAN13	8015747042604
Notes	<p>CX 4/2 inserts:</p> <ul style="list-style-type: none"> - characteristics according to EN 61984: (80A 690V 8kV 3) 2 Auxiliary contacts:(16A 400V 6kV 3) 2 Auxiliary contacts:(16A 400/690V 6kV 2)