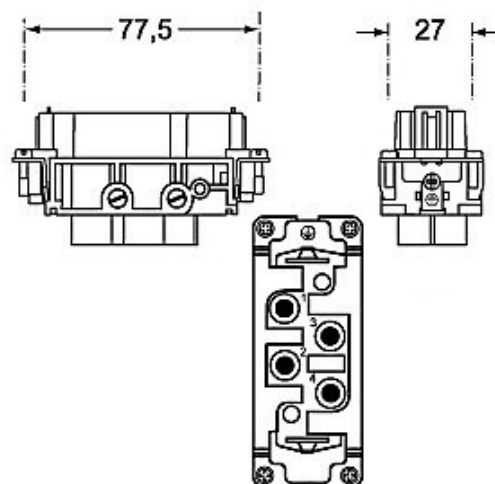
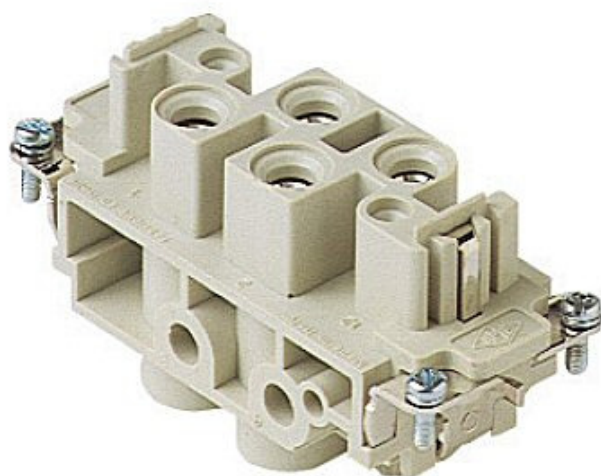

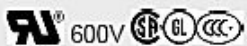


Part Number: CXF 4/0



<b>Family</b>	inserts
<b>Version</b>	screw terminal connections
<b>Series</b>	CX
<b>Product type</b>	with female contacts
<b>Model</b>	female insert
<b>Reference standard</b>	EN 61984 (2001-11)
<b>Contact type</b>	silver plated
<b>No. of poles</b>	4 poles + 
<b>Voltage (V)</b>	690V
<b>Current (A)</b>	80A (A.C./D.C.)
<b>Wire section</b>	4mm <sup>2</sup> - 16mm <sup>2</sup>
<b>Awg size</b>	12 - 6
<b>Quality mark</b>	
<b>IP degree of protection</b>	IP20 degree of protection without enclosure; IP65, IP66, IP67, IP68 (EN 60529) and IP69K (DIN 40050 - 9) with enclosure
<b>Fixing centre distance</b>	size "77.27"
<b>Impulse withstand voltage</b>	8kV
<b>Pollution degree</b>	3
<b>Barcode EAN13</b>	8015747042314
<b>Notes</b>	CX 4/0 inserts:  - characteristics according to EN 61984: (80A 690V 8kV 3)