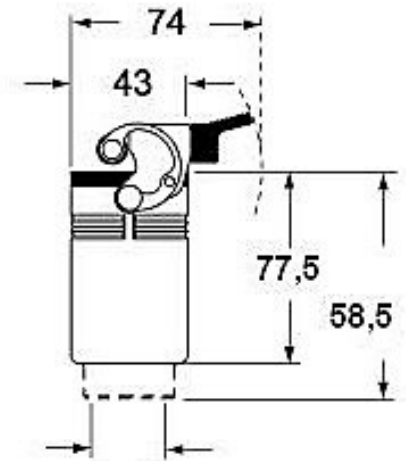
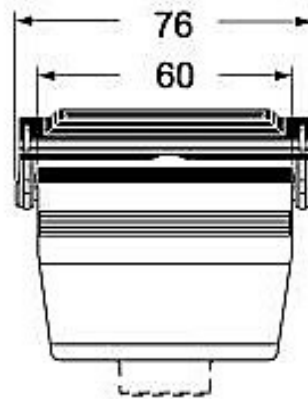


Product Sheet

Part Number: MHV 06 LG25



Family CH - CA and MH - MA enclosures

Version metal version

Series Hoods with single lever

Product type with 1 lever

Type top entry

Execution high construction

Quality mark  (type:4/4X/12),  

IP degree of protection IP66 (EN 60529) and IP69K (DIN 40050 - 9) degree of protection.

Cable entry M 25

Fixing centre distance size "44.27"

Material metal

Barcode EAN13 8015747055413

The information and the dimensions contained are not binding and may be changed without prior notice.
The drawing's dimensions are in mm.