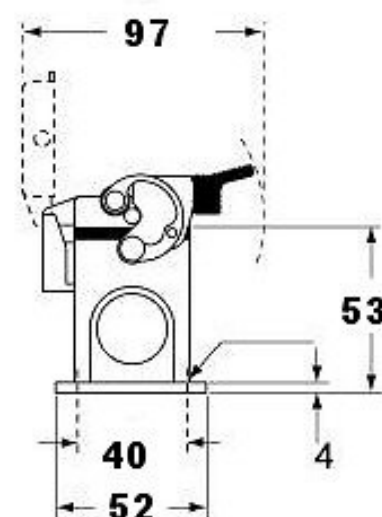
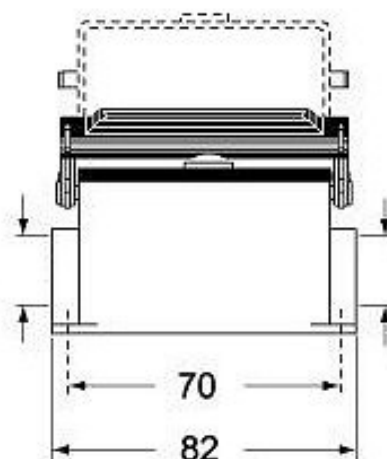


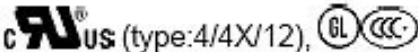
Product Sheet

Part Number: MHP 06 LS20



www.ilme.com



Family	CH - CA and MH - MA enclosures
Version	metal version
Series	surface mounting housings with single lever
Product type	with 1 lever
Type	metal cover
Quality mark	
IP degree of protection	IP65 (EN 60529) degree of protection
Cable entry	M 20
Fixing centre distance	size "44.27"
Material	metal
Barcode EAN13	8015747054102

The information and the dimensions contained are not binding and may be changed without prior notice.
The drawing's dimensions are in mm.