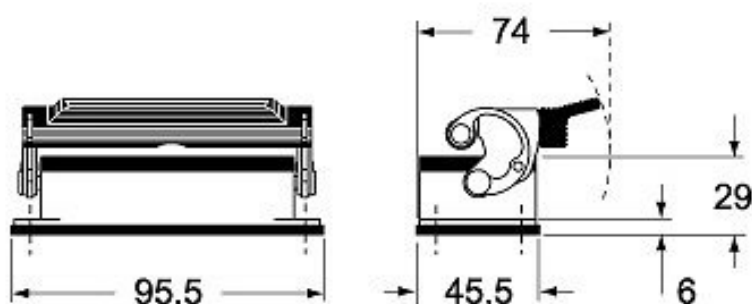


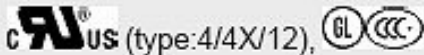
Product Sheet



www.ilme.com

Part Number: CHI 10 L



Family	CH - CA and MH - MA enclosures
Version	metal version
Series	bulkhead mounting housings with single lever
Product type	with 1 lever
Quality mark	
IP degree of protection	IP66 (EN 60529) and IP69K (DIN 40050 - 9) degree of protection.
Fixing centre distance	size "57.27"
Material	metal
Barcode EAN13	8015747017510

The information and the dimensions contained are not binding and may be changed without prior notice.
The drawing's dimensions are in mm.