

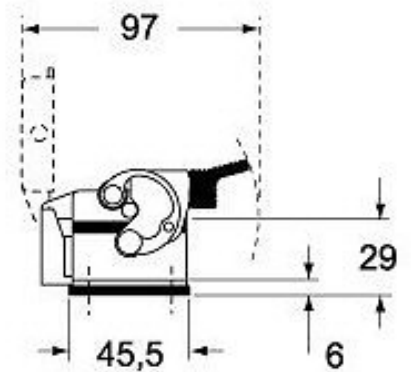
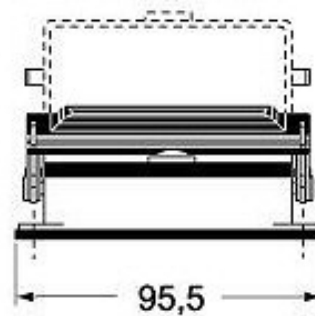
Product Sheet

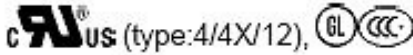
Part Number:

CHI 10 LS



www.ilme.com



Family	CH - CA and MH - MA enclosures
Version	metal version
Series	bulkhead mounting housings with single lever
Product type	with 1 lever
Type	metal cover
Quality mark	
IP degree of protection	IP65 (EN 60529) degree of protection
Fixing centre distance	size "57.27"
Material	metal
Barcode EAN13	8015747017541

The information and the dimensions contained are not binding and may be changed without prior notice.
The drawing's dimensions are in mm.