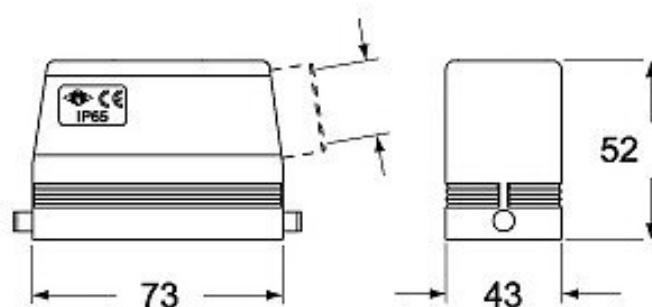
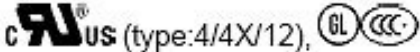


Product Sheet



Part Number: MHO 10 L20



Family	CH - CA and MH - MA enclosures
Version	metal version
Series	hoods for single lever
Product type	with 2 pegs
Type	side entry
Quality mark	
IP degree of protection	IP66 (EN 60529) and IP69K (DIN 40050 - 9) degree of protection.
Cable entry	M 20
Fixing centre distance	size "57.27"
Material	metal
Barcode EAN13	8015747053099

The information and the dimensions contained are not binding and may be changed without prior notice.
The drawing's dimensions are in mm.