

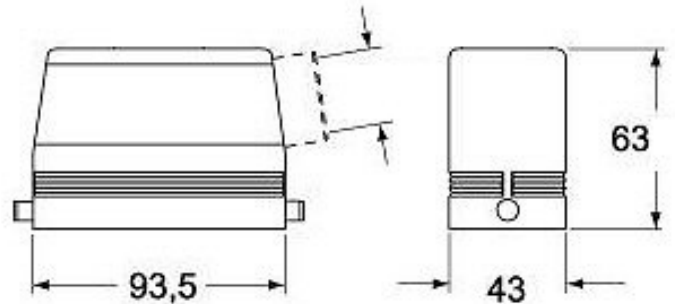
## Product Sheet

Part Number:

MHO 16 L25



www.ilme.com






**Family** CH - CA and MH - MA enclosures

**Version** metal version

**Series** hoods for single lever

**Product type** with 2 pegs

**Type** side entry

**Quality mark**  (type:4/4X/12),  

**IP degree of protection** IP66 (EN 60529) and IP69K (DIN 40050 - 9) degree of protection.

**Cable entry** M 25

**Fixing centre distance** size "77.27"

**Material** metal

**Barcode EAN13** 8015747053273

The information and the dimensions contained are not binding and may be changed without prior notice.  
The drawing's dimensions are in mm.