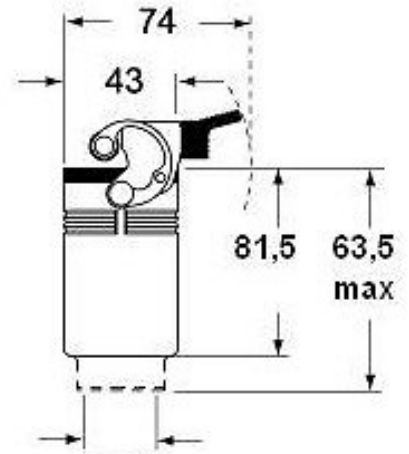
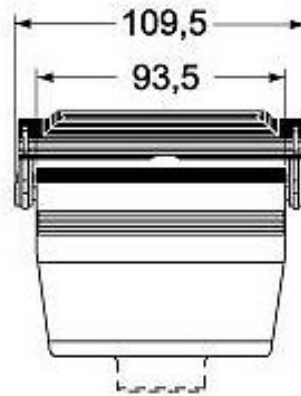





Product Sheet

Part Number: **MHV 16 LG32**



www.ilme.com



Family	CH - CA and MH - MA enclosures
Version	metal version
Series	Hoods with single lever
Product type	with 1 lever
Type	top entry
Quality mark	c  (type:4/4X/12),  
IP degree of protection	IP66 (EN 60529) and IP69K (DIN 40050 - 9) degree of protection.
Cable entry	M 32
Fixing centre distance	size "77.27"
Material	metal
Barcode EAN13	8015747055819

The information and the dimensions contained are not binding and may be changed without prior notice.
The drawing's dimensions are in mm.