

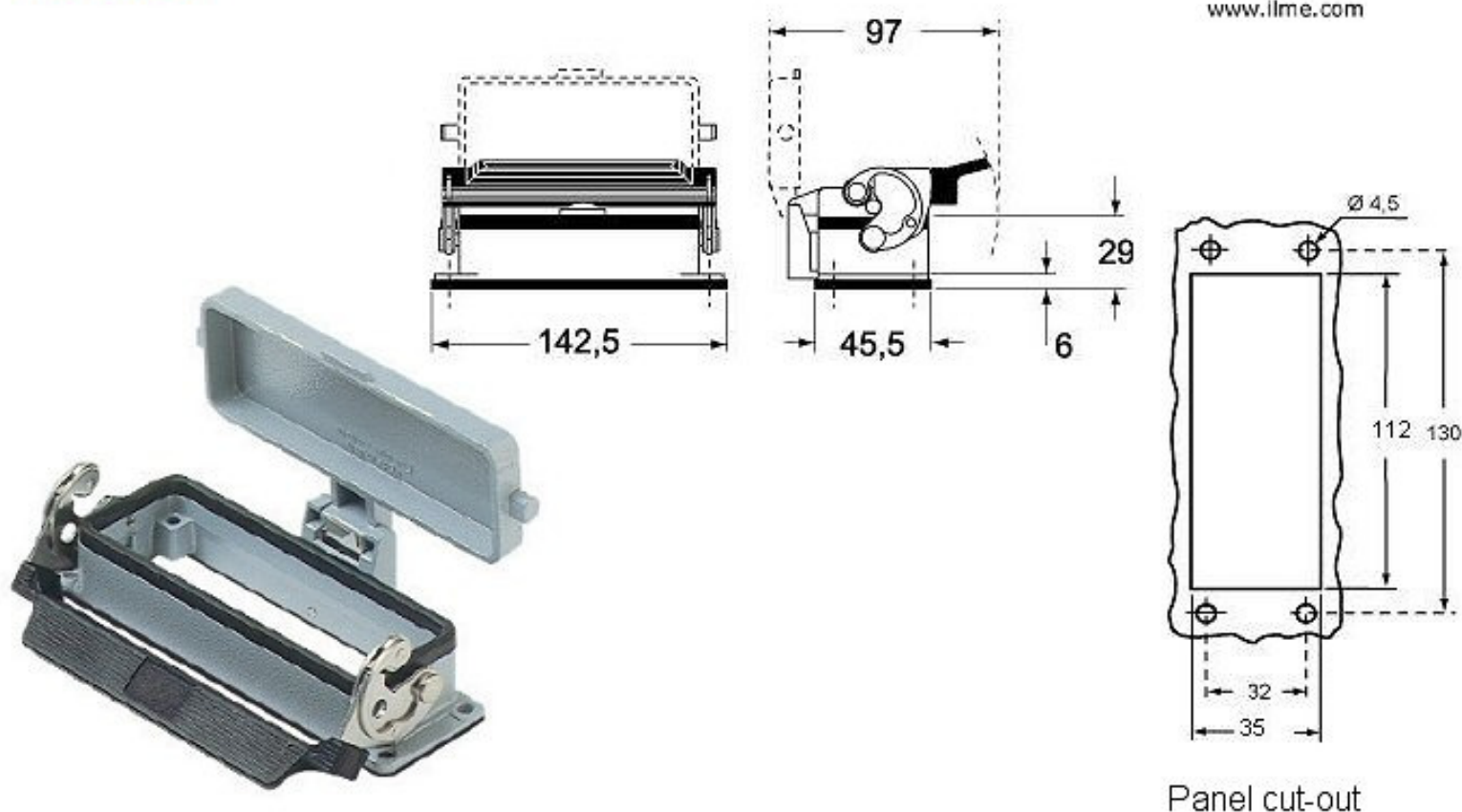
## Product Sheet

Part Number:




CHI 24 LS



www.ilme.com



Panel cut-out

Family	CH - CA and MH - MA enclosures
Version	metal version
Series	bulkhead mounting housings with single lever
Product type	with 1 lever
Type	metal cover
Quality mark	c  US (type:4/4X/12),  
IP degree of protection	IP65 (EN 60529) degree of protection
Fixing centre distance	size "104.27"
Material	metal
Barcode EAN13	8015747018364

The information and the dimensions contained are not binding and may be changed without prior notice.  
The drawing's dimensions are in mm.